



# Certificate of Accreditation

## Sewage Management Facility

### Septic Tanks, Collection Wells and Pump Wells

*This Certificate of Accreditation is issued by the Secretary of the NSW Ministry of Health pursuant to Clause 41(1) of the Local Government (General) Regulation 2021.*

**Manufacturer:** *ReIn Pty Ltd*

**Of:** *14 Williamson Road, Ingleburn, NSW, 2565*

*The ReIn Septic Tanks, Collection Wells and Pump Wells as described in the following Schedule have been accredited as sewage management facilities for use in single domestic premises in NSW.*

*Director, Environmental Health  
for Secretary (delegation PH335)*

**Issued:** *11 / 8 / 22*  
**Certificate No:** *STCW 002*  
**Expires:** *31 December 2025*

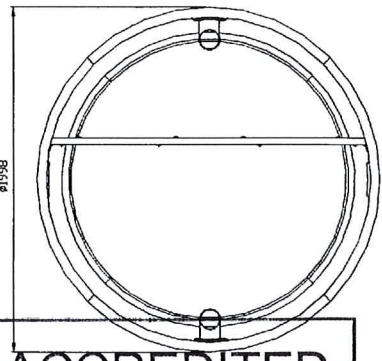
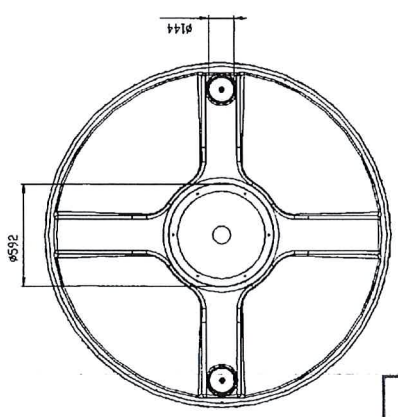
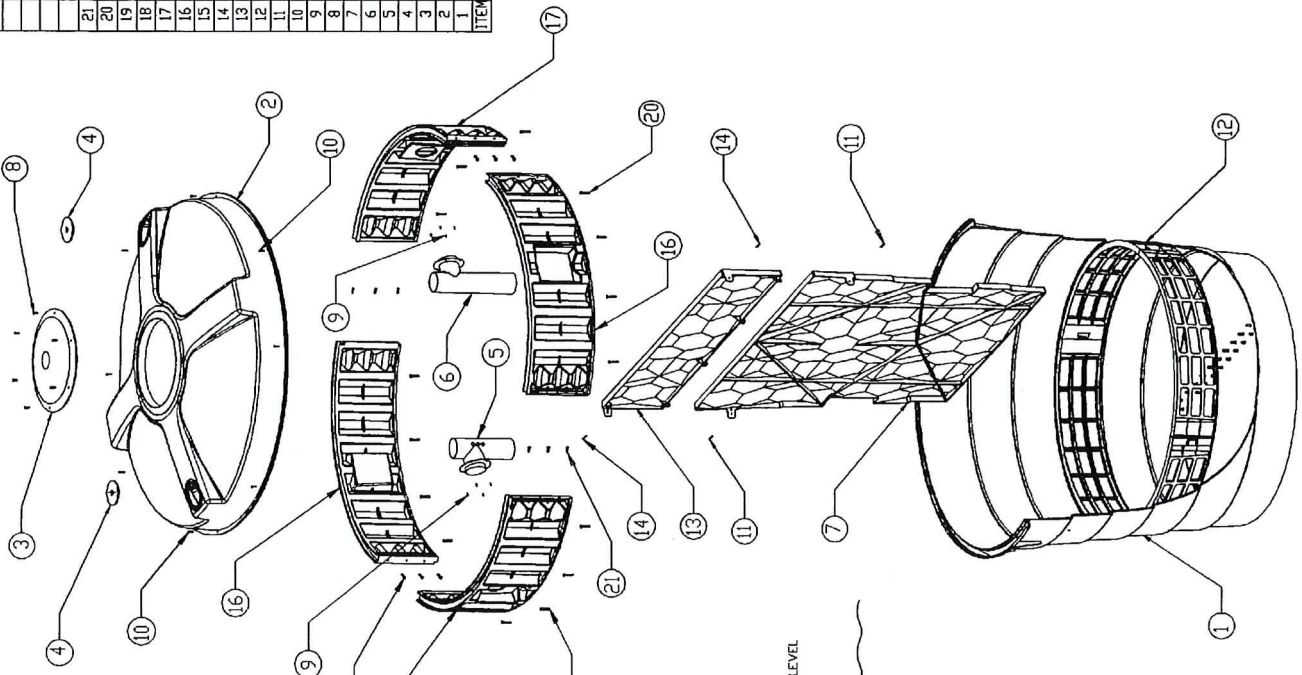


## ***Accreditation Schedule***

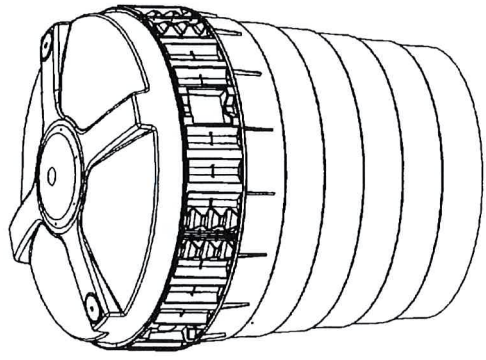
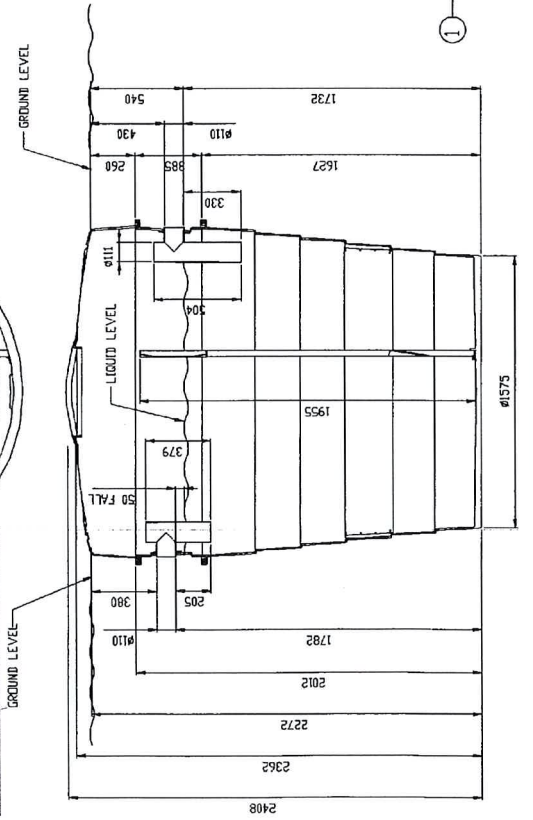
*The Certificate of Accreditation applies to the following  
Septic Tanks, Collection Wells and Pump Wells*

Model	Description	Size
Septic Tank	<p>Vertical axis type cylindrical (tapered) injection moulded polypropylene tank. Tank, lid, access and inspection covers contain an ultra violet stabilizer.</p> <p>4000 L tank is fitted with riser, baffle extension and reinforced structural brace ring. Tank lid burial depth is restricted to 0 mm</p>	<p>3200 L</p> <p>3200L Deep Invert</p> <p>4000 L</p>
Collection Well	<p>Vertical axis type cylindrical (tapered) injection moulded polypropylene tank. Tank, lid, access and inspection covers contain an ultra violet stabilizer.</p> <p>4000 L tank is fitted with riser and reinforced structural brace ring. Tank lid burial depth is restricted to 0 mm</p>	<p>3200 L</p> <p>3200L Deep Invert</p> <p>4000 L</p>
Pump Well	<p>Vertical axis type cylindrical (tapered) injection moulded polypropylene tank. Tank, lid and access cover contain an ultra violet stabilizer. Tank lid burial depth is restricted to 0 mm</p>	450/600 L
Pump Well	<p>Vertical axis, cylindrical (tapered) rotomoulded polyethylene tank, lid and access covers, containing UV stabiliser. Tank lid burial depth 0 mm.</p>	900L / 1000L / 1200L

ITEM	DESCRIPTION	QTY	REMARKS
1	TANK BASE	1	POLYPROPYLENE
2	TANK LID	1	POLYPROPYLENE
3	MANHOLE COVER	1	POLYPROPYLENE
4	INSPECTION COVER	2	POLYPROPYLENE
5	INLET T-JUNCTION	1	ABS
6	OUTLET T-JUNCTION	1	ABS
7	BAFFLE	1	POLYPROPYLENE
8	MANHOLE - SELF TAPPING SCREW	6	B04DDP.HREC 10x47 316SS
9	T-JUNCTION - SELF TAPPING SCREW	8	B04DDP.HREC 10x47 316SS
10	LID - BOLT, WASHER, NUT	8	M6 x 30, 316 SS
11	BAFFLE - BOLT, WASHER, NUT	2	M6 x 30, 316 SS
12	REINFORCING RING SEGMENT	4	POLYPROPYLENE
13	4000L BAFFLE EXTENSION	1	POLYPROPYLENE
14	BAFFLE EXTENSION - BOLT, WASHER, NUT	2	M6 x 30, 316 SS
15	RISER INLET PANEL - KEYED	1	POLYPROPYLENE
16	RISER SIDE PANEL	2	POLYPROPYLENE
17	RISER OUTLET PANEL	1	POLYPROPYLENE
18	RISER SIDE PANEL - KEYED	0	POLYPROPYLENE
19	RISER OUTLET PANEL KEYED	0	POLYPROPYLENE
20	RISER - TANK BOLT, WASHER, NUT	16	M6 x 50, 316 SS
21	RISER RING SIDE- BOLT, WASHER, NUT	12	M6 x 40, 316 SS
ASSEMBLED WEIGHT INCL. BAFFLE		181kg	
ASSEMBLED WEIGHT		159kg	



**ACCREDITED**  
11 AUG 2022  
NSW MINISTRY OF HEALTH



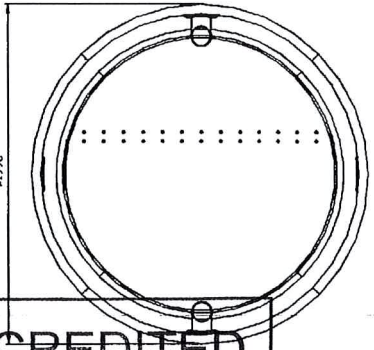
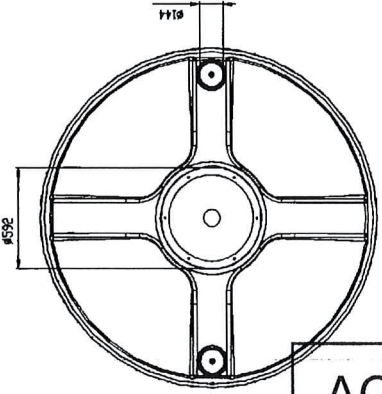
Note:  
4000L tank base supplied factory assembled and sealed including reinforcing brace ring and tank base extensions pre-filled to nominal capacity of 4000L (other than baffles and T-Junctions)  
A riser must not be fitted to 4000L tank

<b>RELN PTY LTD</b>	
TITLE:	4000 L SEPTIC TANK
DRAWING No.	A2 - ST - 4000S
DRAWN BY:	S.M.
DATE:	24.08.2010
APPROVED BY:	D.L.
DATE:	15.10.2010

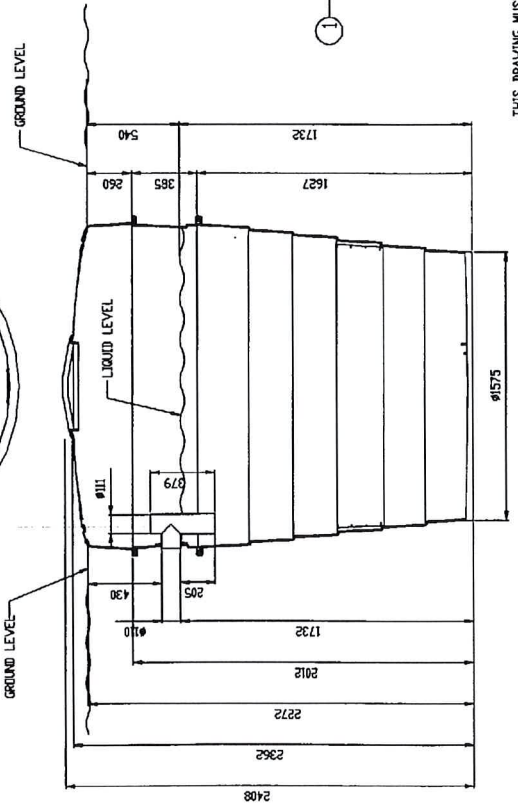
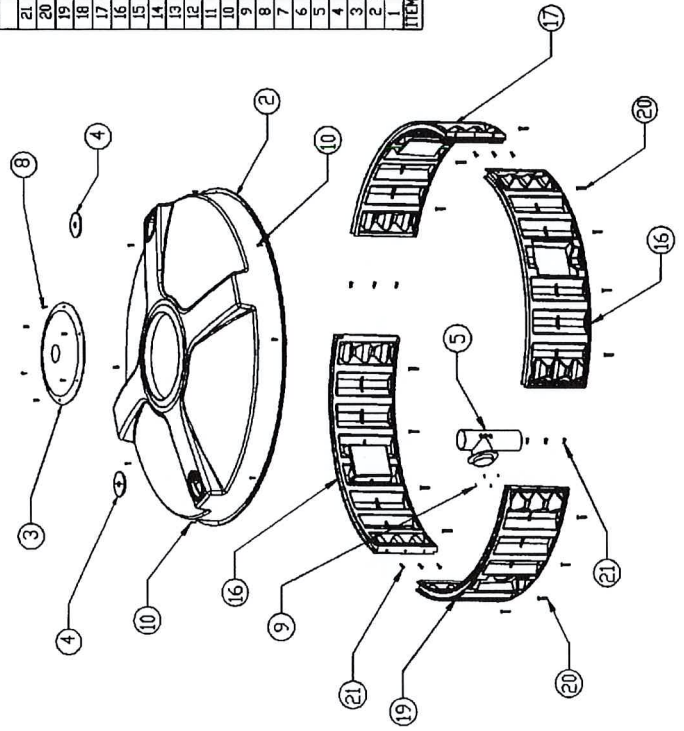
THIS DRAWING MUST NOT BE COPIED OR DISTRIBUTED IN ANY FORM WITHOUT THE PRIOR WRITTEN PERMISSION OF RELN

DIMENSIONS NOMINAL

© RELN PTY LTD 2010



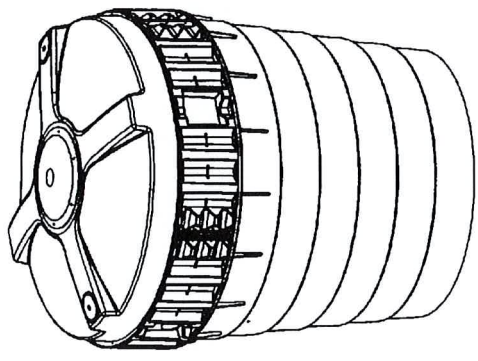
ACCREDITED  
11 AUG 2022  
NSW MINISTRY OF HEALTH



© RELN PTY LTD 2010 DIMENSIONS NOMINAL

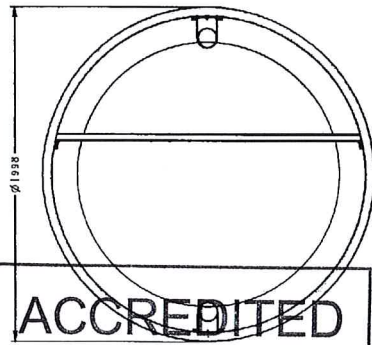
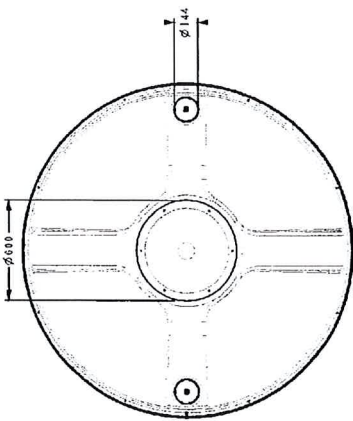
THIS DRAWING MUST NOT BE COPIED OR DISTRIBUTED IN ANY FORM WITHOUT THE PRIOR WRITTEN PERMISSION OF RELN

ITEM	DESCRIPTION	QTY	REMARKS
1	TANK BASE	1	POLYPROPYLENE
2	TANK LID	1	POLYPROPYLENE
3	MANHOLE COVER	1	POLYPROPYLENE
4	INSPECTION COVER	2	POLYPROPYLENE
5	INLET T-JUNCTION	1	ABS
6	OUTLET T-JUNCTION	0	ABS
7	BAFFLE	0	POLYPROPYLENE
8	MANHOLE - SELF TAPPING SCREW	4	BUSH,PREC DIA7 316SS
9	T-JUNCTION - SELF TAPPING SCREW	4	BUSH,PREC DIA7 316SS
10	LID - BOLT, WASHER, NUT	8	M6 x 30, 316 SS
11	BAFFLE - BOLT, WASHER, NUT	8	M6 x 30, 316 SS
12	REINFORCING RING SEGMENT	4	POLYPROPYLENE
13	4000L BAFFLE EXTENSION	0	POLYPROPYLENE
14	BAFFLE EXTENSION - BOLT, WASHER, NUT	0	M6 x 30, 316 SS
15	RISER INLET PANEL - KEYS	3	POLYPROPYLENE
16	RISER SIDE PANEL	0	POLYPROPYLENE
17	RISER OUTLET PANEL	0	POLYPROPYLENE
18	RISER SIDE PANEL - KEYS	0	POLYPROPYLENE
19	RISER HOLDING TANK PANEL KEYS	1	POLYPROPYLENE
20	RISER - TANK BOLT, WASHER, NUT	16	M8 x 50, 316 SS
21	RISER RING SIDE - BOLT, WASHER, NUT	12	M8 x 40, 316 SS
ASSEMBLED WEIGHT INCL. BAFFLE		159kg	
ASSEMBLED WEIGHT			

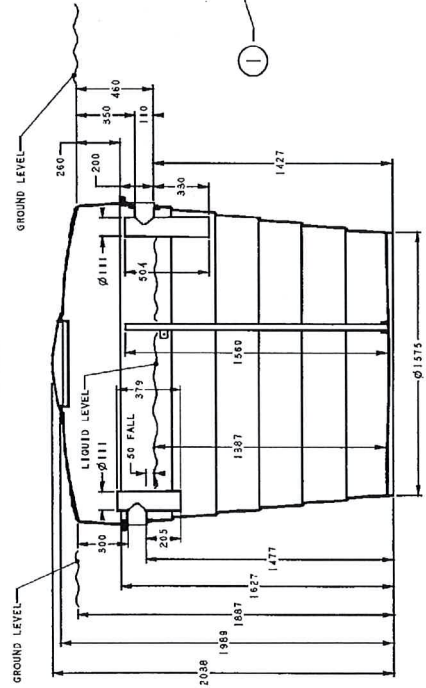
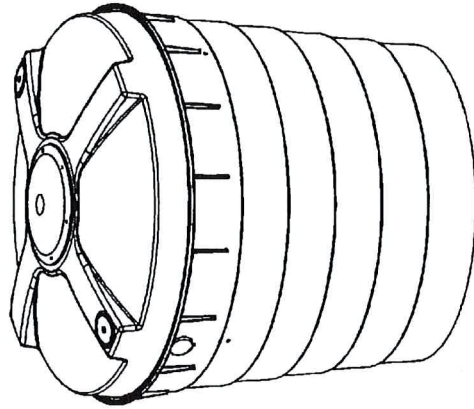
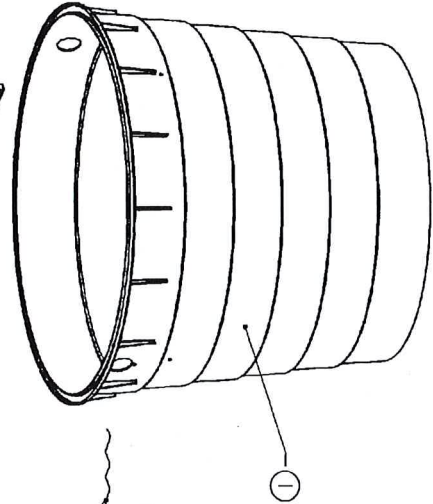
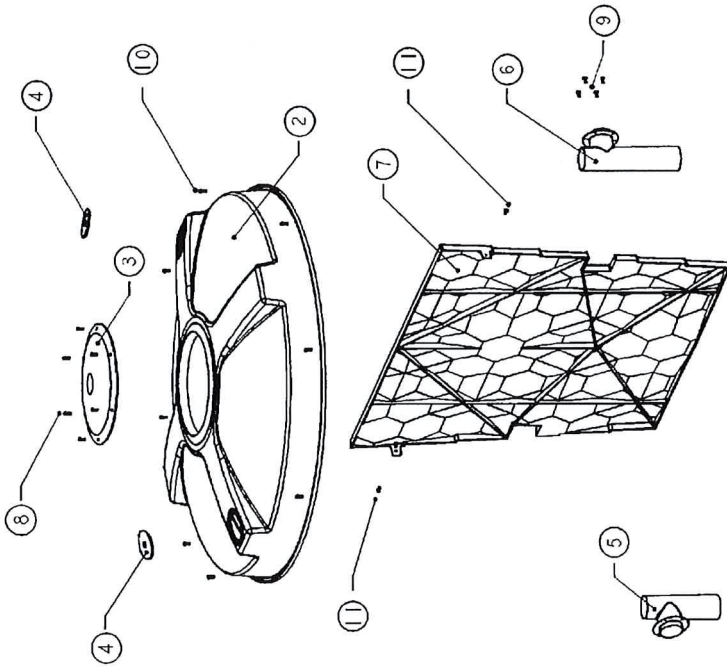


Note:  
4000L tank base supplied factory assembled and sealed including reinforcing brace ring and tank base extensions for 1000L (other than T-junctions)  
A riser must not be fitted to 4000L tank  
Discharge pipe by plumber

RELN PTY LTD	
TITLE:	4000 L HOLDING TANK
DRAWING No.	A2 - ST - 4000H
DRAWN BY:	S.W.
DATE:	24.08.2010
APPROVED BY:	D.L.
DATE:	15.08.2010



ACCREDITED  
11 AUG 2022  
NSW MINISTRY OF HEALTH



ITEM	DESCRIPTION	QTY	REMARKS
1	Tank Base	1	Polypropylene
2	Tank Lid	1	Polypropylene
3	Manhole Cover	1	Polypropylene
4	Inlet T Junction	2	Polypropylene
5	Inlet T Junction	1	ABS
6	Inlet T Junction	1	ABS
7	Inlet T Junction	1	ABS
8	Manhole Cover	1	Polypropylene
9	Washer	1	Polypropylene
10	Manhole Cover	1	Polypropylene
11	Tank Lid	1	Polypropylene
12	Assembled Height Inc Baffle	139 kg	
13	Assembled Height	122 kg	
14	Baffle Bolt, Washer, Nut	2	M6 x 30, 316SS
15	Lid Bolt, Washer, Nut	2	M6 x 30, 316SS
16	T Junction Scif Topping Screw	8	BD-MD-PH REC. 10 x 1", 316SS
17	Manhole Scif Topping Screw	6	BD-MD-PH REC. 10 x 1", 316SS
18	Baffle (Optional)	1	Polypropylene

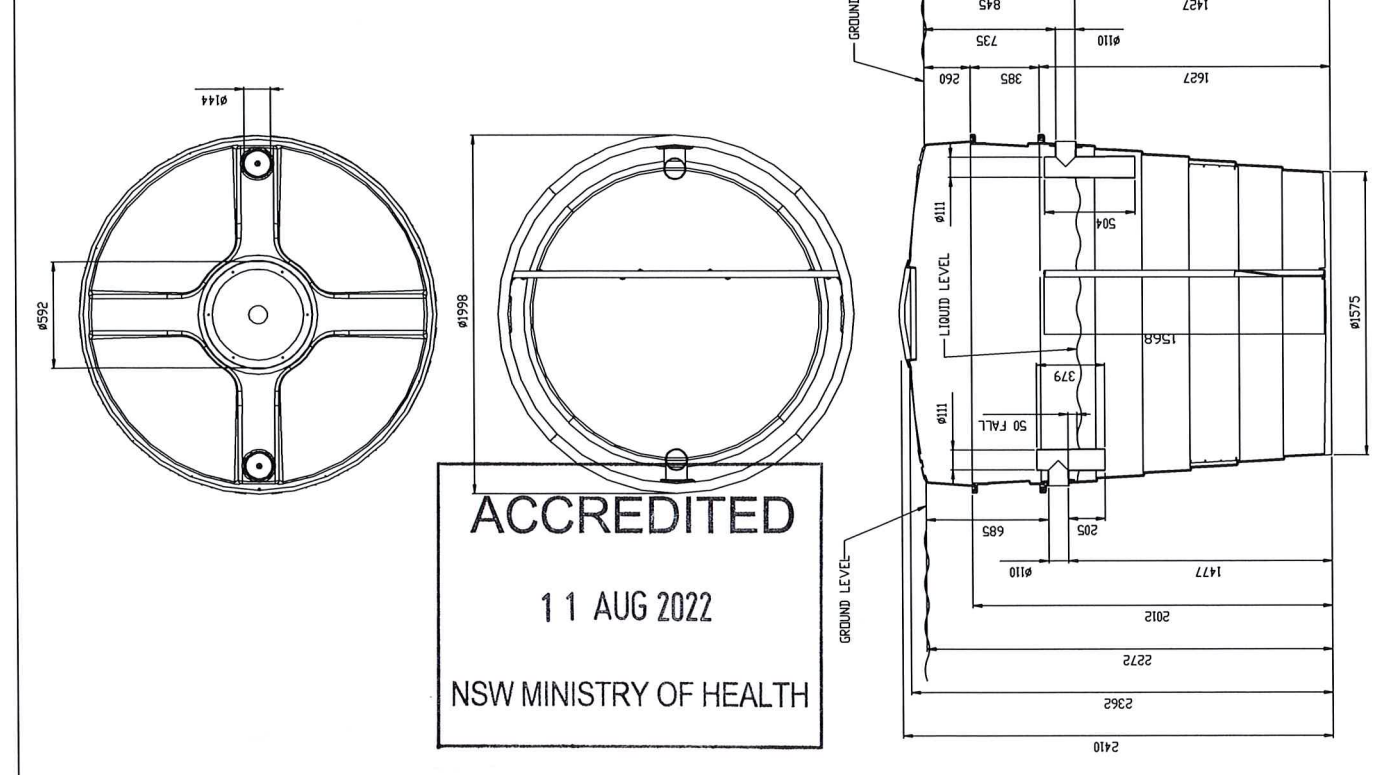
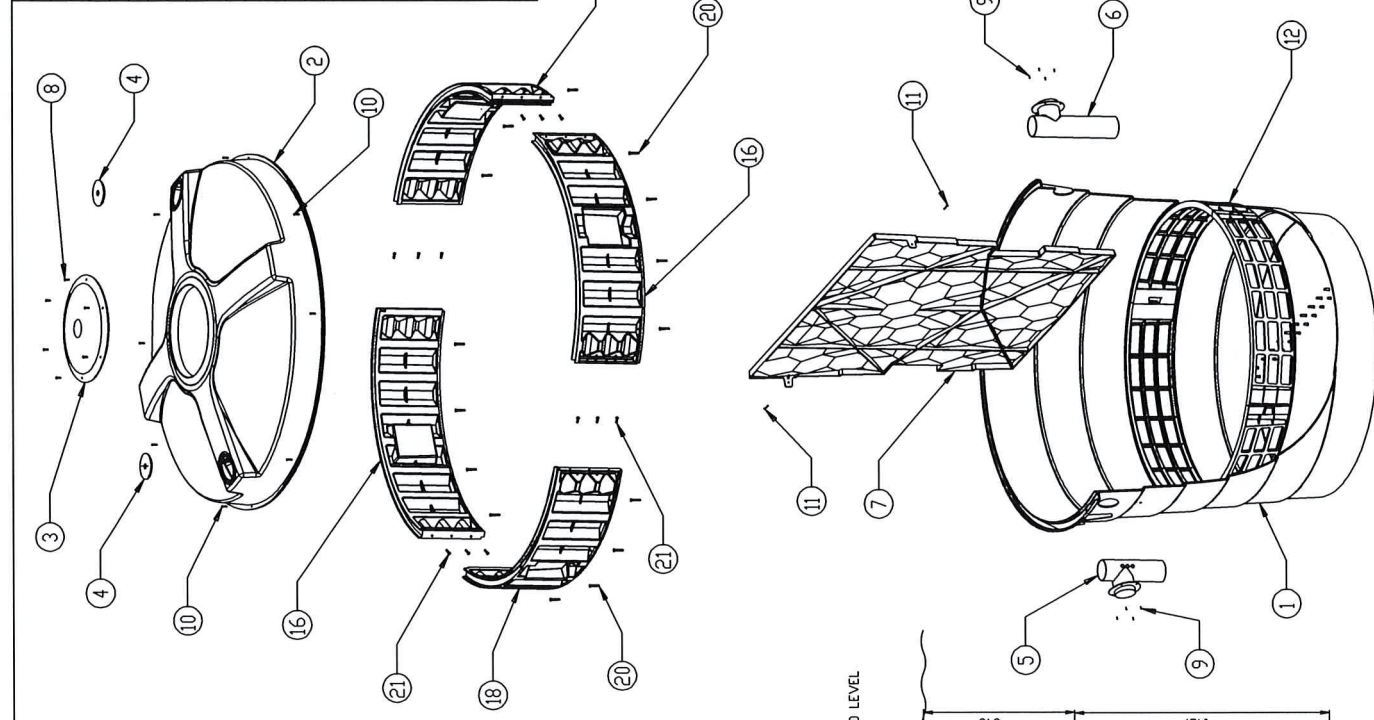
**REIN PTY LTD**  
TITLE: 5000 LITRE SEPTIC TANK  
DRAWING No.: A2-ST-100401  
APPROVED BY: [Signature]  
DATE: 12 NOV 2004

THIS DRAWING MUST NOT BE COPIED OR DISTRIBUTED IN ANY FORM WITHOUT THE PRIOR WRITTEN PERMISSION OF REIN.

DIMENSIONS NOMINAL

© REIN PTY LTD 2004

ITEM	DESCRIPTION	QTY	REMARKS
1	TANK BASE	1	POLYPROPYLENE
2	TANK LID	1	POLYPROPYLENE
3	HANDLE COVER	1	POLYPROPYLENE
4	INSPECTION COVER	2	POLYPROPYLENE
5	INLET T- JUNCTION	1	ABS
6	OUTLET T- JUNCTION	1	ABS
7	BAFFLE	1	POLYPROPYLENE
8	HANDLE - SELF TAPPING SCREW	6	BD.HD.P.AREC 10x1" 316SS
9	T- JUNCTION - SELF TAPPING SCREW	8	BD.HD.P.AREC 10x1" 316SS
10	LID - BOLT, WASHER, NUT	8	M6 x 30, 316 SS
11	BAFFLE - BOLT, WASHER, NUT	2	M6 x 30, 316 SS
12	REINFORCING RING SEGMENT	4	POLYPROPYLENE
13	4000L BAFFLE EXTENSION	0	POLYPROPYLENE
14	BAFFLE EXTENSION - BOLT, WASHER, NUT	0	M6 x 30, 316 SS
15	RISER INLET PANEL - KEYED	0	POLYPROPYLENE
16	RISER SIDE PANEL	3	POLYPROPYLENE
17	RISER OUTLET PANEL	0	POLYPROPYLENE
18	RISER SIDE PANEL - KEYED	0	POLYPROPYLENE
19	RISER OUTLET PANEL KEYED	0	POLYPROPYLENE
20	RISER - TANK BOLT, WASHER, NUT	16	M6 x 50, 316 SS
21	RISER RING SIDE- BOLT, WASHER, NUT	12	M6 x 40, 316 SS
	ASSEMBLED WEIGHT INCL. BAFFLE	177Kg	
	ASSEMBLED WEIGHT	159Kg	



**ACCREDITED**  
 11 AUG 2022  
 NSW MINISTRY OF HEALTH

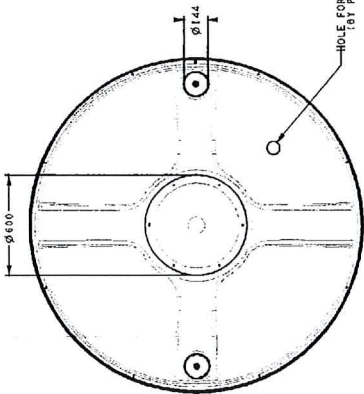
Note:  
 Only one riser can be fitted to 3200L tank  
 Riser may only be fitted to 3200L tank with factory fitted reinforced structural brace ring

<b>RELN PTY LTD</b>	
TITLE:	3200 L DEEP INVERT SEPTIC TANK
DRAWING No:	A2 - ST - 3200SR
DRAWN BY:	S.W.
DATE:	24.08.2010
APPROVED BY:	D.L.
DATE:	15.10.2010

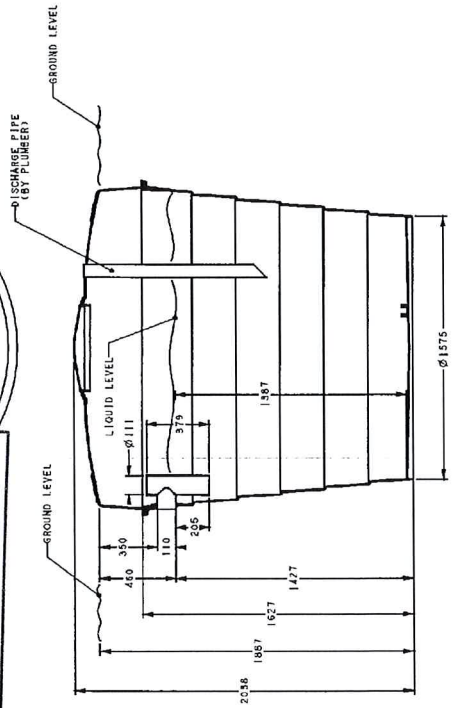
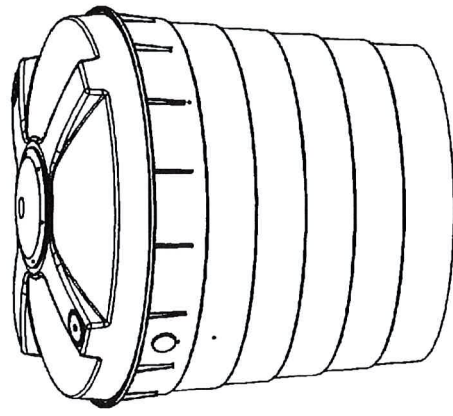
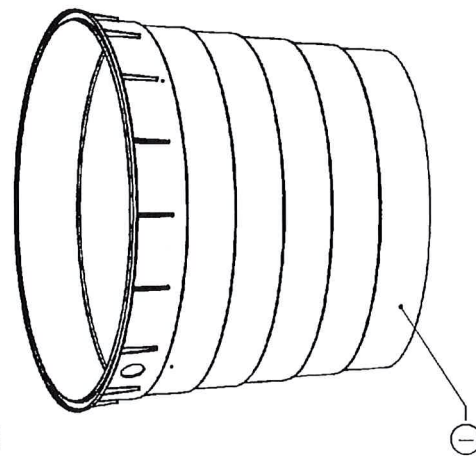
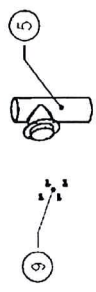
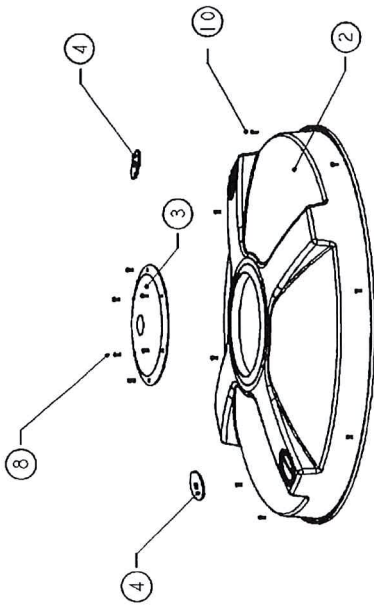
THIS DRAWING MUST NOT BE COPIED OR DISTRIBUTED IN ANY FORM WITHOUT THE PRIOR WRITTEN PERMISSION OF RELN

DIMENSIONS NOMINAL

© RELN PTY LTD 2010



**ACCREDITED**  
11 AUG 2022  
NSW MINISTRY OF HEALTH



ITEM	DESCRIPTION	QTY	REMARKS
	Assembled Weight		122 Kg
11	Baffle Bolt, Washer, Nut	2	M6 x 30, 316SS
10	Lid Bolt, Washer, Nut	6	M6 x 30, 316SS
9	T Junction Self Tapping Screw	4	RD-PH, REC. 10 x 1", 316SS
8	Manhole Self Tapping Screw	6	RD-PH, PH, REC. 10 x 1", 316SS
7	Baffle (Optional)	0	Not Required
6	Outlet T Junction	0	Not Required
5	Inlet T Junction	1	ABS
4	Inspection Core	2	Polypropylene
3	Manhole Cover	1	Polypropylene
2	Tank Lid	1	Polypropylene
1	Tank Base	1	Polypropylene

**REIN PTY LTD**  
 MODEL: 3200 LITRE HOLDING TANK  
 DRAWING NO.: A2-ST-100462  
 APPROVED BY: *[Signature]*  
 DATE: 12 NOV 2004

THIS DRAWING MUST NOT BE COPIED OR DISTRIBUTED IN ANY FORM WITHOUT THE PRIOR WRITTEN PERMISSION OF REIN.

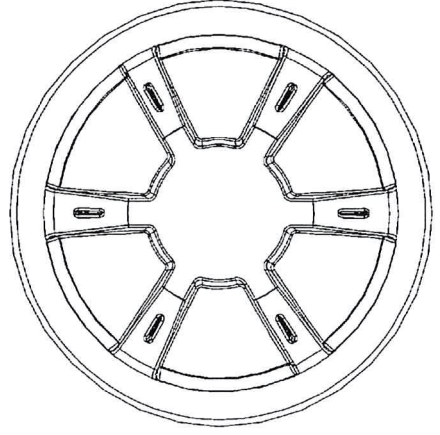
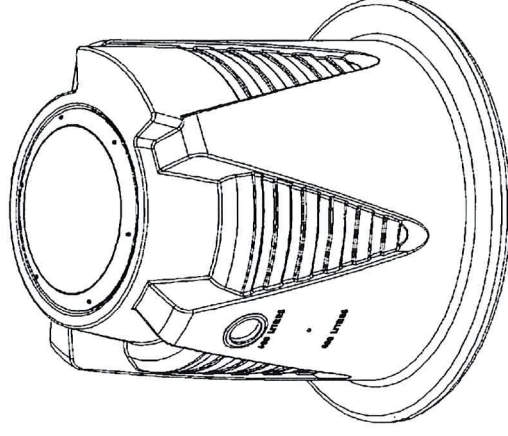
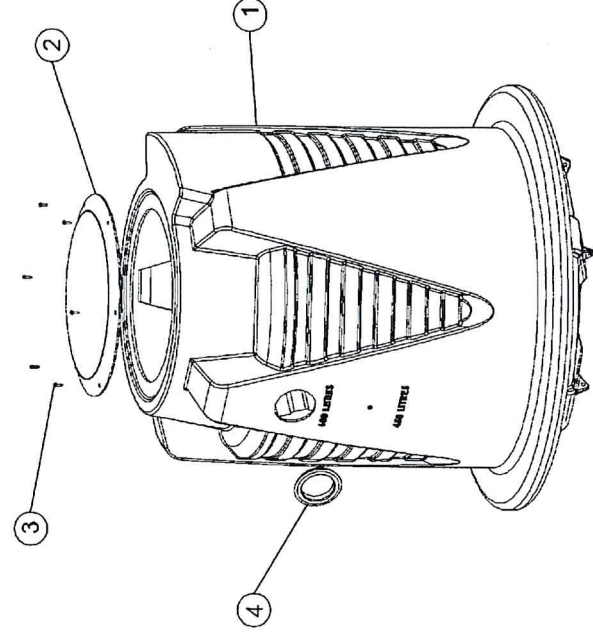
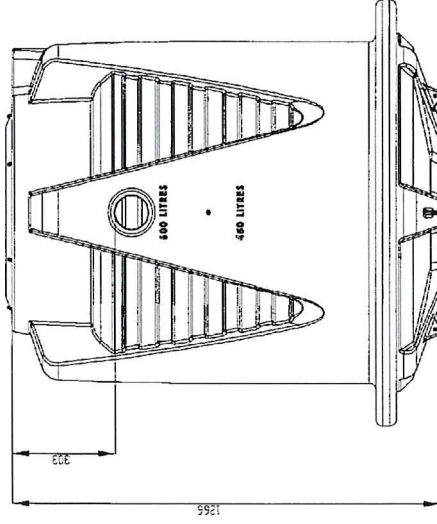
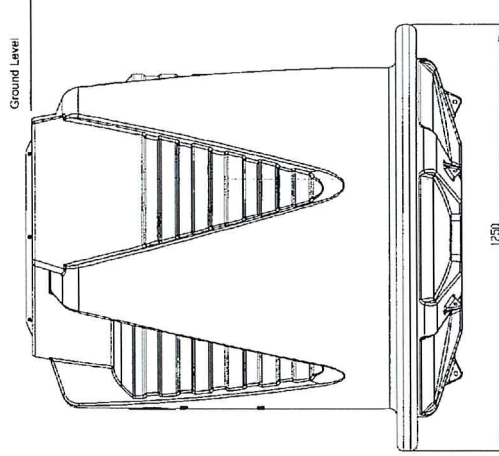
DIMENSIONS NOMINAL

© REIN PTY LTD 2004



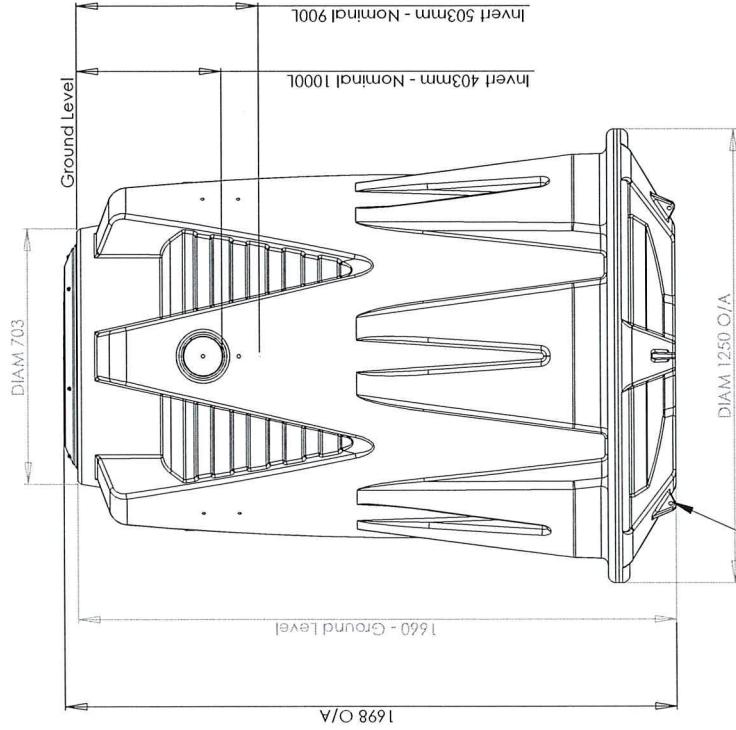


ITEM	DESCRIPTION	QTY	MATERIAL
1	Base	1	LLDPE UV
2	Manhole Cover	1	PP UV
3	Screws 10g Self Tapping	6	316 Stainless Steel
4	Sealing Ring	1	Rubber/Elastomer

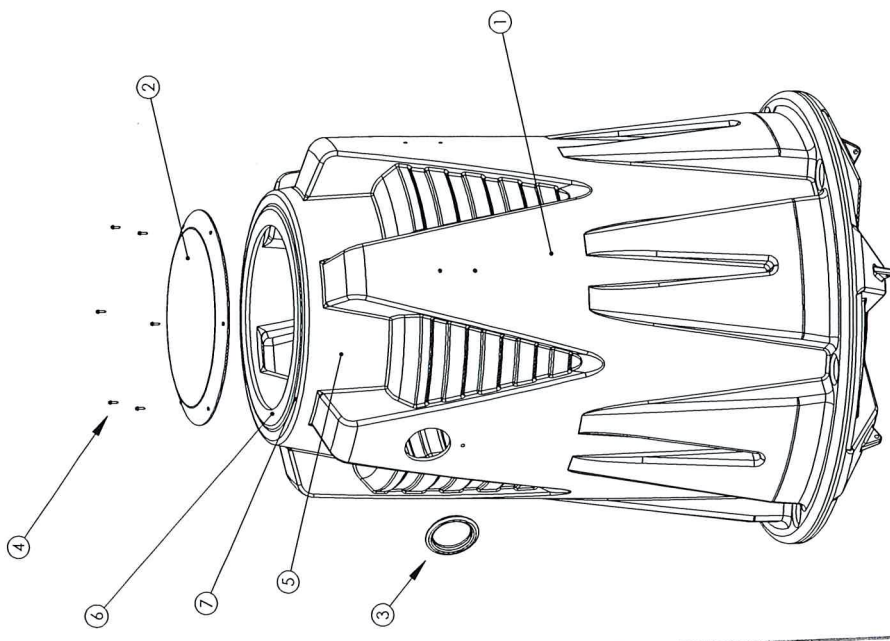


**ACCREDITED**  
 11 AUG 2022  
 NSW MINISTRY OF HEALTH

ITEM NO.	DESCRIPTION	QTY.	Material	Part Number
1	Pump Well 1200L	1	LLDPE - UV	000860
2	Access Cover	1	PP - UV	000662
3	DN100 DWV Seal	1	Elastomer	000860
4	Screws Self Tapping 10g	6	316 Stainless Steel	Y6GX1"SCREW
5	Label	1	Mould-on Graphic	000803
6	Instruction Booklet	1	Secured Under Access Cover	000858
7	Date Stamp	1	Adjacent to Inlet	MM/YY



**ACCREDITED**  
11 AUG 2022  
NSW MINISTRY OF HEALTH



UNLESS OTHERWISE SPECIFIED: DIMENSIONS TO SURFACE UNLESS INDICATED OTHERWISE		FINISH		DO NOT SCALE DRAWING		REVISION	
UNITS: MILLIMETRES	SCALE: 1:1	PAINT: BLACK SWAMP EDGES	PAINT: BLACK SWAMP EDGES	DATE: 3-JUN-2021	BY: OL	Copyright RELN Pty Ltd. All rights reserved. This drawing may not be reproduced or transmitted in any form or by any means without the written permission of RELN Pty Ltd	
TITLE: Tank - Black Access Cover - Green				DRAWN: OL			
DATE: 3-JUN-2021				CHECKED: OL			
APPROVED: OL				MATERIAL: 2020019003			
WEIGHT: 50kg				SCALE: A2			
SHEET 0F 1				DWG NO: 2020019003			