



Certificate of Accreditation

Sewage Management Facility

Septic Tanks & Collection Wells

This Certificate of Accreditation is issued by the Secretary of the NSW Ministry of Health pursuant to Clause 41(1) of the Local Government (General) Regulation 2021.

Manufacturer: *Precast Concrete Wangaratta Pty Ltd*

Of: *9 Murrell St, Wangaratta, VIC, 3677*

The Septic Tanks and Collection Wells as described in the following Schedule have been accredited as sewage management facilities for use in single domestic premises in NSW.

*Director, Environmental Health
for Secretary (delegation PH335)*

Issued: *7/11/2022*

Certificate No: *STCW018*

Expires: *31 December 2027*



Accreditation Schedule

*The Certificate of Accreditation applies to the following
Septic Tanks and Collection Wells*

Model	Description	Size
Septic Tank	Horizontal axis cylindrical precast concrete with steel reinforced mesh with partition, access cover, inlet and outlet fittings. Burial depth of the tank lid is restricted to 0 mm	3050 L 4500 L
Collection Well	Horizontal axis cylindrical precast concrete with steel reinforced mesh. Certification applies only to the construction of the tank, access cover and inlet fitting. It does not include the internal fittings or partitions. Burial depth of the tank lid is restricted to 0 mm	740 L (pump well) 3150 L

3050 Litre Precast Concrete Septic Tank



ABN 14 005 245 750
 Precast Concrete Wangaratta P/L
 9 Murrell Street
 Wangaratta Vic 3677

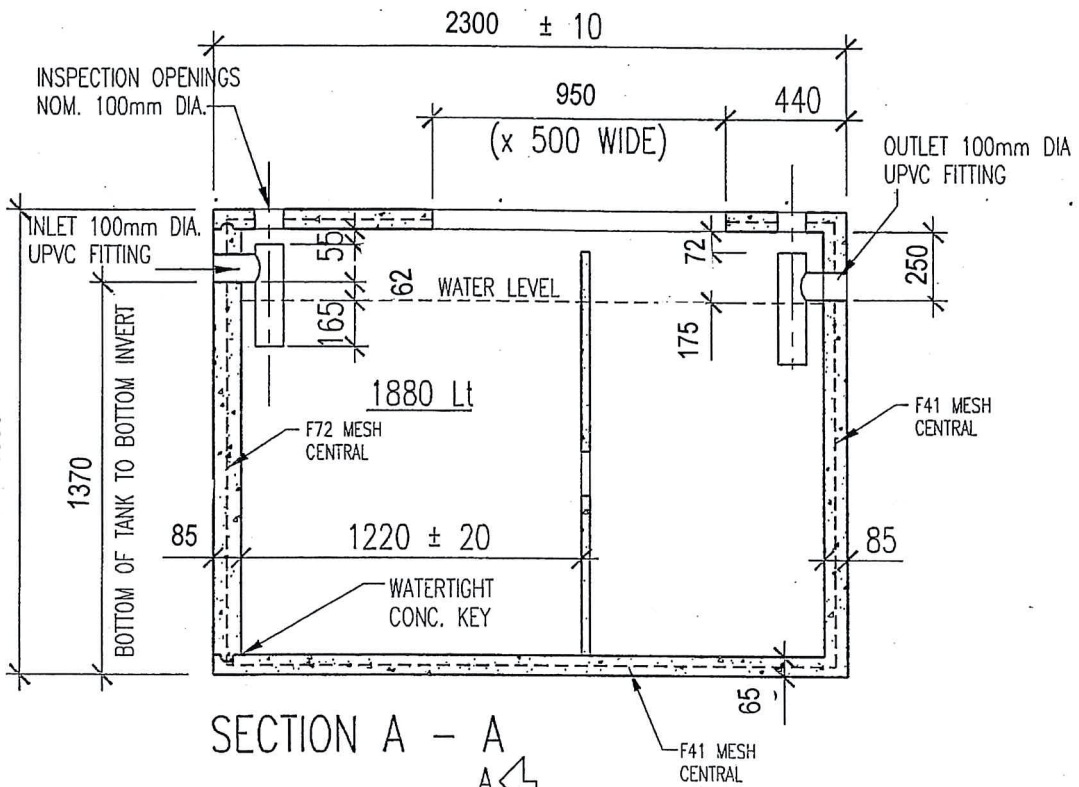
Wodonga Precast Concrete
 26 Moloney Drive
 Wodonga Vic 3690

Phone: 03 5722 3955
 Fax: 03 5722 3477

Phone: 02 6056 0819
 Fax: 02 6056 3819



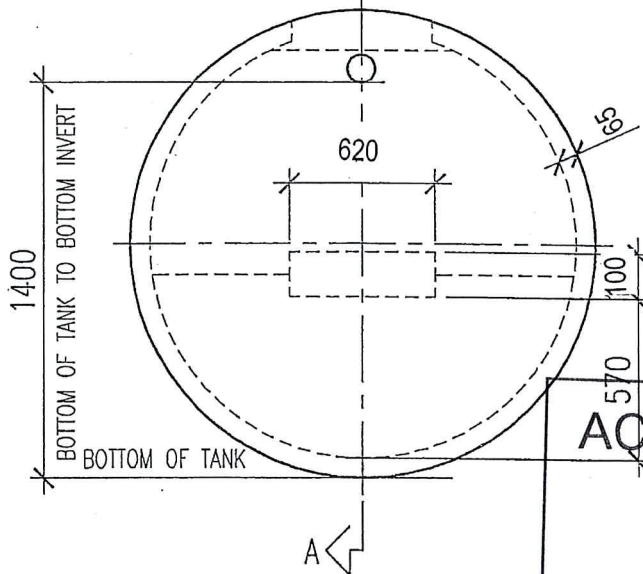
A.S.1546.1-



VICTORIA
 LICENCE NO SMK1165
 NSW
 LICENCE NO 018-1165

EXCAVATION DETAILS

LENGTH	-	2500
WIDTH	-	1900
DEPTH	-	1800



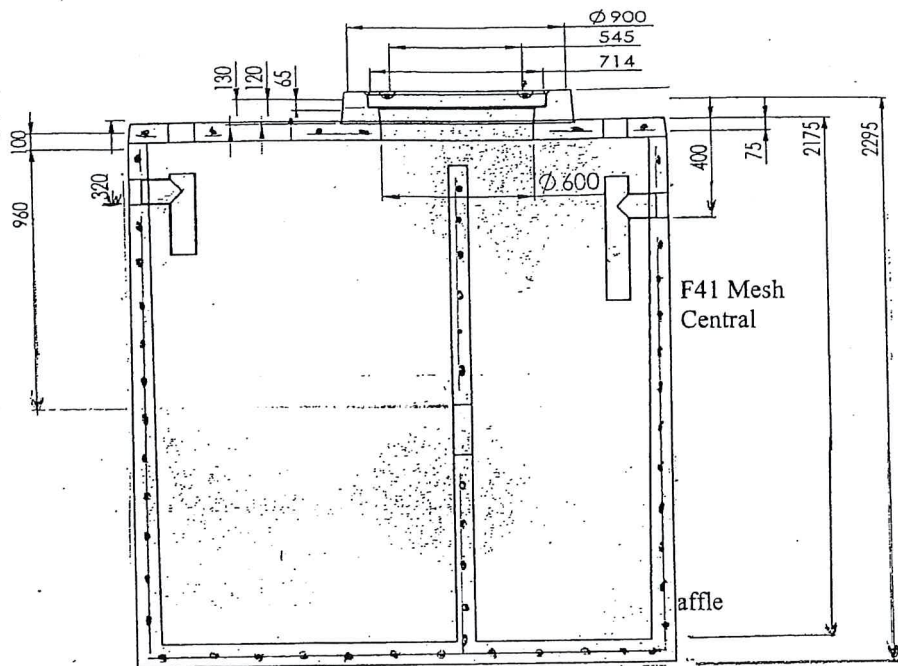
ACCREDITED
 7 NOV 2022
 NSW MINISTRY OF HEALTH

NOTES: 32 MPa CONCRETE
 DIMENSIONS ARE IN MILLIMETRES

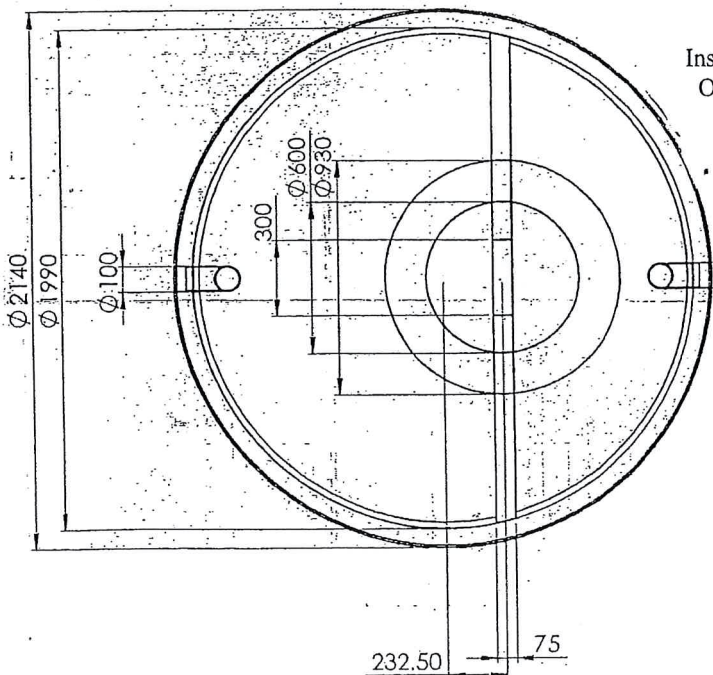
4500 Litre Precast Concrete Septic Tank

VICTORIA

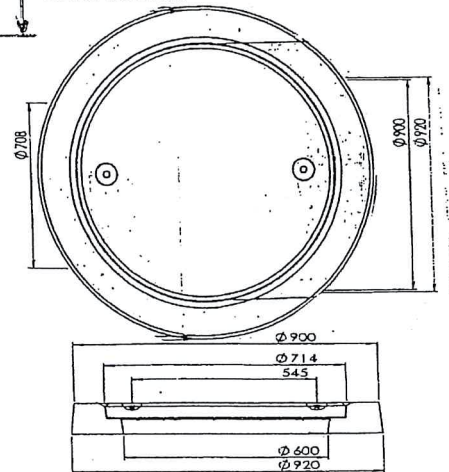
LICENCE NO SMK1165



Riser and Lid



Inspection
Opening



PRODUCT CODE P2000

ACCREDITED

7 NOV 2022

NSW MINISTRY OF HEALTH



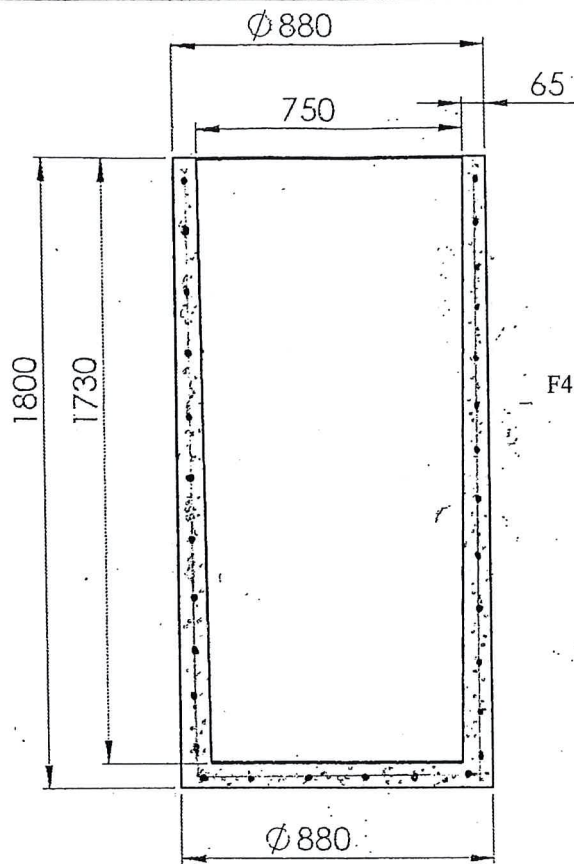
9 Murrell Street, Wangaratta (Head Office)
26 Moloney Drive, Wodonga

Ph 03 5722 3955 Fax 03 5722 3477
Mob 0412 839 012

Dimensions (mm)

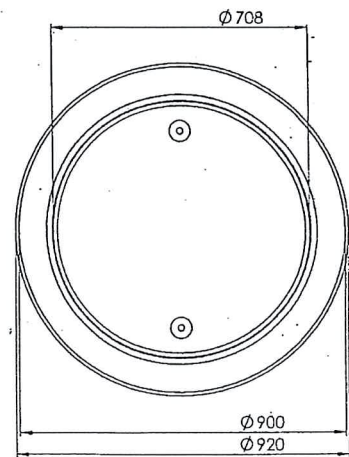
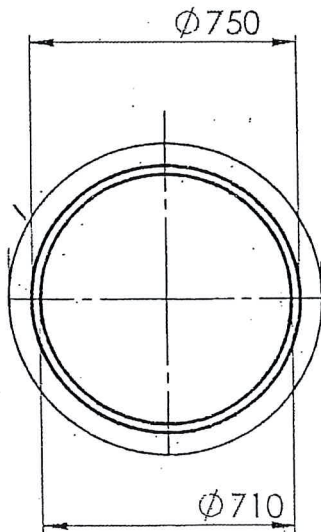
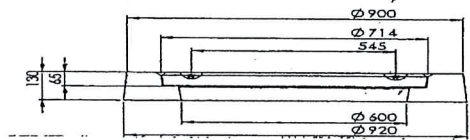
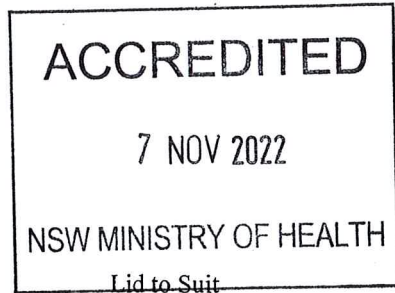
Concrete 32MPA
Diameter 2130mm
Height 2230mm
Weight 4200kg

740 Litre Precast Pump Well



F41 Mesh Central

VICTORIA
 LICENCE NO SMK1165



PRODUCT CODE P2004



9 Murrell Street, Wangaratta (Head Office)
 26 Moloney Drive, Wodonga

Ph 03 5722 3955 Fax 03 5722 3477
 Mob 0412 839 012

740 Lt Pump Well

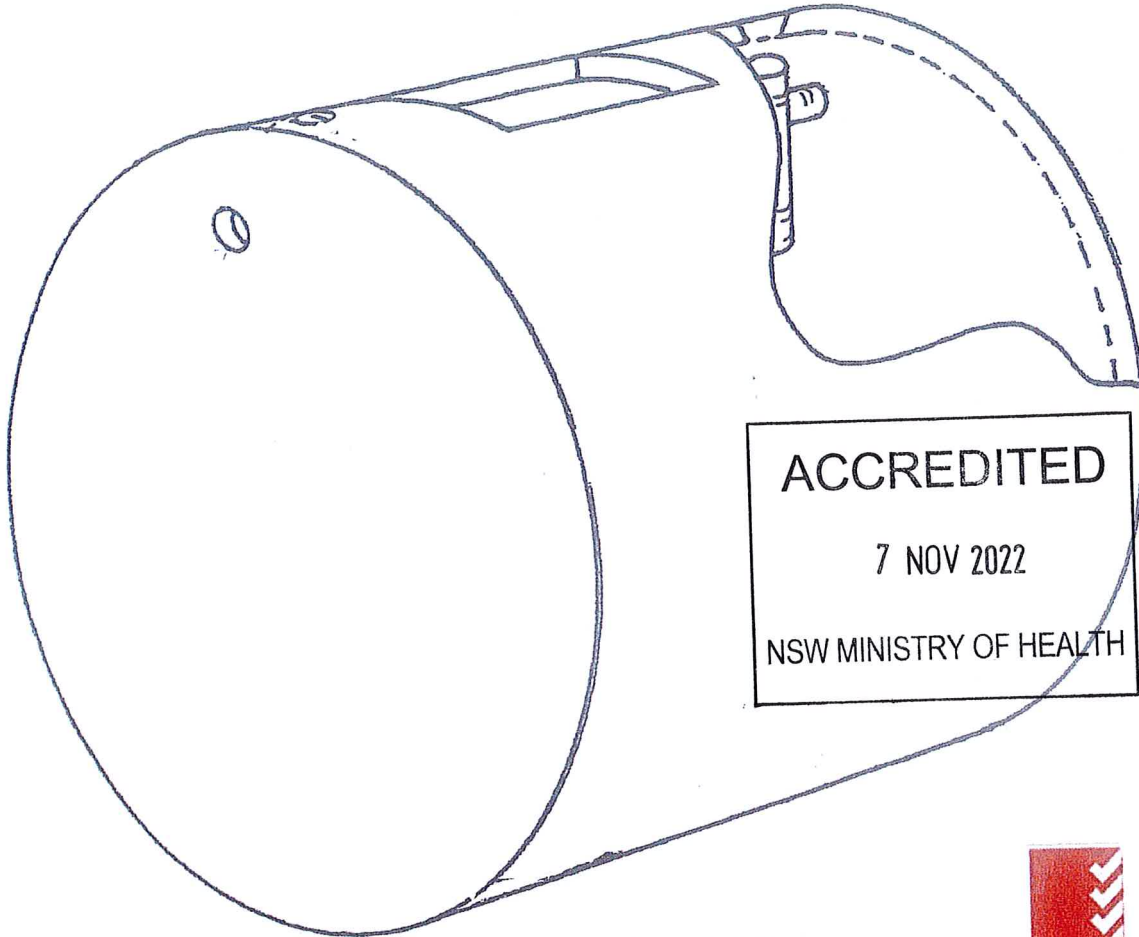
Dimensions (mm)

Concrete	32MPA
Diameter	880mm
Height	1930mm

3150 Litre Precast Concrete Collection Well

- 1370 Bottom of Tank to Bottom of Inlet
- Outlet end 50mm smaller

NSW
LICENCE NO 018-1165



PRODUCT CODE P2001



AS 1546

IMPORTANT INFORMATION

PLEASE NOTE ALL CORRESPONDENCE IE. PLANS/DIAGRAMS ARE SUPPLIED WITH INFORMATION AS ACCURARE AS POSSIBLE. HOWEVER DUE TO CONTINUAL MOULD UPDATES AND REPAIRS MEASUREMENTS MAY DIFFER FROM SPECIFICATION SHEETS SUPPLIED. **ALWAYS** SITE MEASURE ARTICLE BEFORE INSTALLLATION AS NO RESPONSIBILITY WILL BE TAKEN FOR INCORRECT INSTALLATION DUE TO MISINFORMATION. ANY DISCREPENCY IN MEASUREMENTS MUST BE RECTIFIED BY ADJUSTING EXCAVATIONS AND THIS MAY RESULT IN EXTENSIONS ETC BEING REQUIRED.



9 Murrell Street, Wangaratta (Head Office)
Ph 03 5722 3955

26 Moloney Drive, Wodonga
Ph 02 6056 0819

Dimensions (mm)

Diameter	1650	Bottom of tank to: bottom of inlet	1370
Length	2300	Outlet end 50mm smaller	
Weight	2.7 tonne	Details	
Hole Size		Inlet & Outlet UPVC fitting	
Width	1900	100mm dia	
Length	2600		