



# Certificate of Accreditation

## Sewage Management Facility

### Septic Tanks & Collection Wells

*This Certificate of Accreditation is issued by the Secretary of the NSW Ministry of Health pursuant to Clause 41(1) of the Local Government (General) Regulation 2005.*

**System:**            *Global Septic Tanks and Collection Wells*

**Manufacturer:**   *Global Rotomoulding Pty Ltd*

**Of:**                    *14 Nans Road, Helidon Spa, Qld, 4344*

*The Global Septic Tanks and Collection Wells as described in the following Schedule have been accredited as a sewage management facility for use in single domestic premises in NSW.*

  
*A/Director, Environmental Health  
for Secretary (delegation PH335)*

**Issued:**    *7 / 12 / 2021*

**Certificate No:** *STCW021*

**Expires:** *31 December 2025*

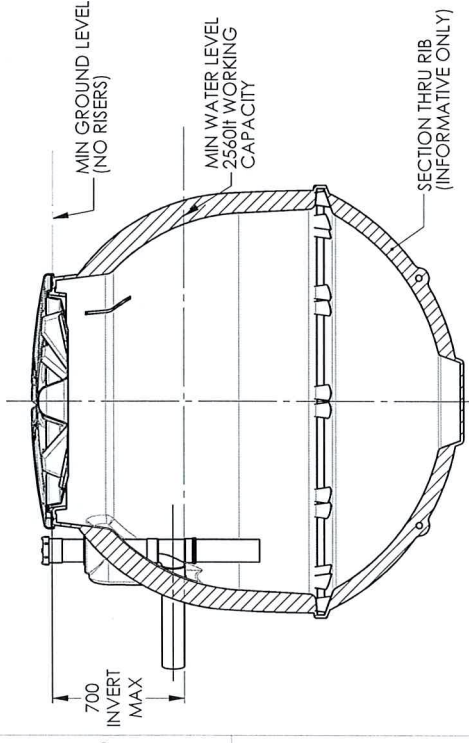
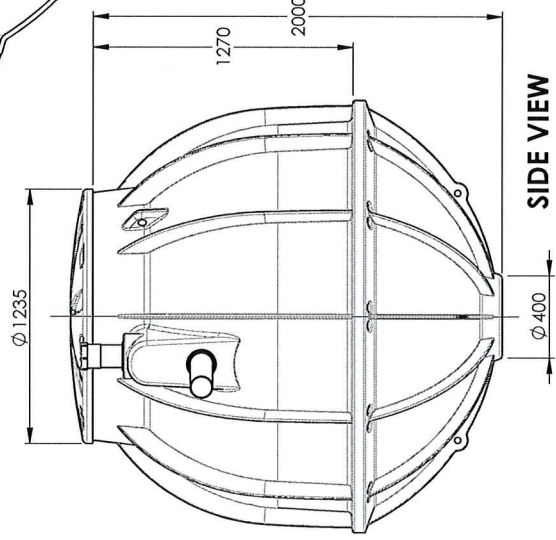
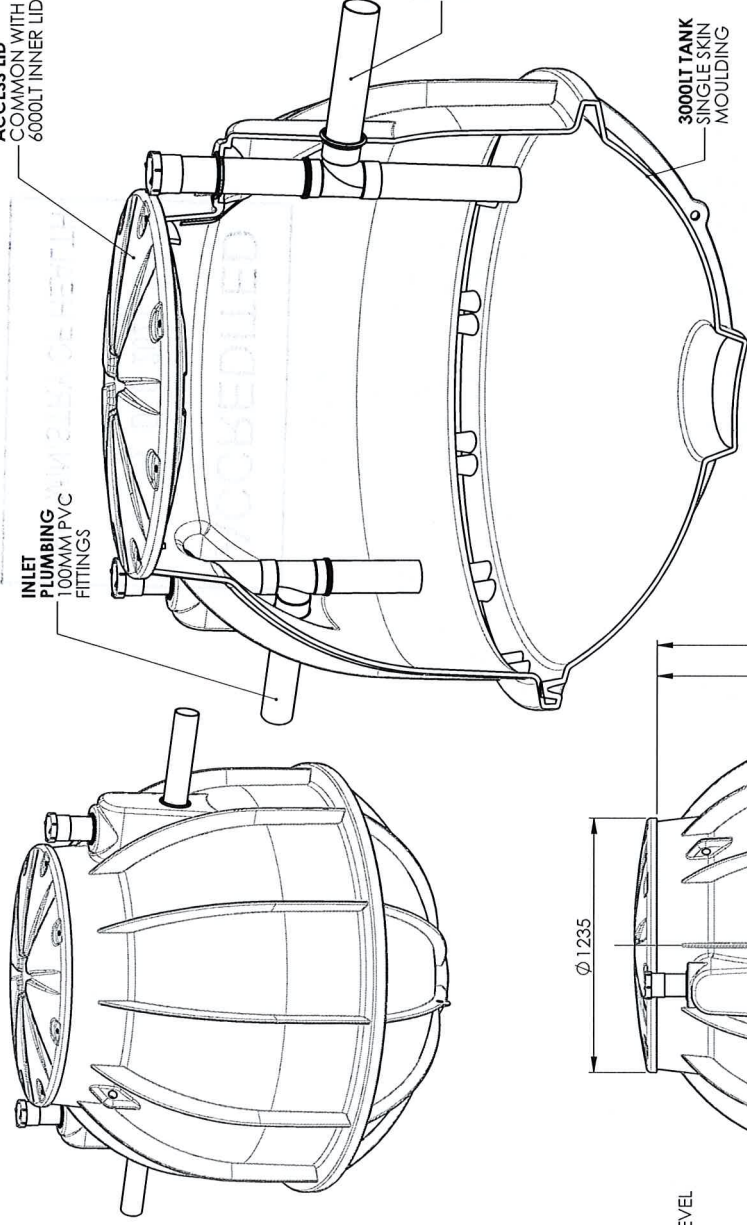
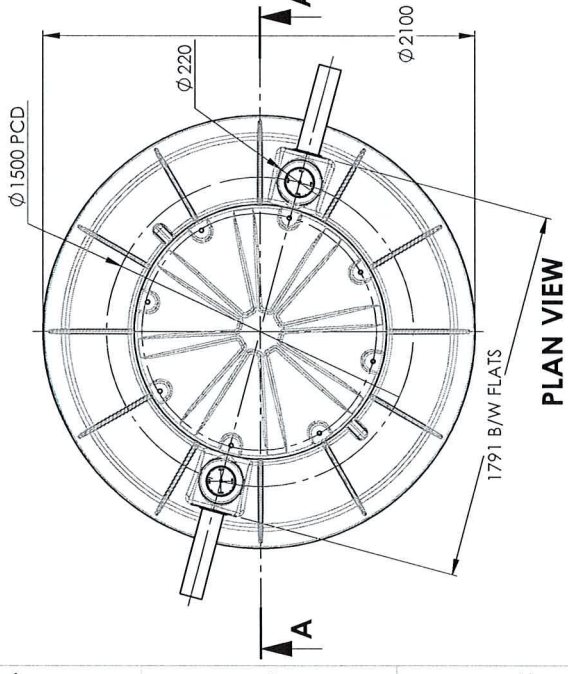


## ***Accreditation Schedule***

*The Certificate of Accreditation applies to the following  
Septic Tanks and Collection Wells*

Model	Description	Size
Septic Tanks and Collection Wells	Vertical axis cylindrical roto moulded polyethylene tank, lid, and access covers. With or without baffle.  Burial depth at ground level or above	3,000 L 4,500 L 5,000 L 6,000 L
Pump Wells	Vertical axis cylindrical roto moulded polyethylene tank, lid, and access covers.  Burial depth at ground level or above	550 L 570 L 1000 L

WORKING CAPACITY APPROX 2560LT



**SECTIONAL PICTORIAL VIEW ACCREDITED**

07 DEC 2021

NSW MINISTRY OF HEALTH

**TANK WALL SPECIFICATION**  
SINGLE LAYER = 18mm (265Kg)

**LID WALL SPECIFICATION**  
SINGLE LAYER (DUAL SKIN) = 5.0mm (1.5Kg)

REV	DESCRIPTION	DATE	DRAWN	DATE	DRAWN	REVISIONS	1
REV	DESCRIPTION	DATE	DRAWN	DATE	DRAWN	REVISIONS	2
REV	DESCRIPTION	DATE	DRAWN	DATE	DRAWN	REVISIONS	3
REV	DESCRIPTION	DATE	DRAWN	DATE	DRAWN	REVISIONS	4
REV	DESCRIPTION	DATE	DRAWN	DATE	DRAWN	REVISIONS	5
REV	DESCRIPTION	DATE	DRAWN	DATE	DRAWN	REVISIONS	6
REV	DESCRIPTION	DATE	DRAWN	DATE	DRAWN	REVISIONS	7
REV	DESCRIPTION	DATE	DRAWN	DATE	DRAWN	REVISIONS	8

**FINAL PRODUCTION VERSION**

DESCRIPTION	2500LT SEPTIC TANK
CUSTOMER	GLOBAL
FILE NAME	12-568 2500LT General Assy (No Riser)
DATE	23/01/2019
MATERIAL	LLPDE
SURFACE FINISH	NA
SCALE	1:25
SHEET	1 OF 2

Fact 15, 2 Garden Blvd  
Dingley, VIC 3172

Ph: (03) 9558 3455  
Fx: (03) 9558 3466  
www.trymak.com.au

DESCRIPTION: 2500LT SEPTIC TANK

CUSTOMER: GLOBAL

FILE NAME: 12-568 2500LT General Assy (No Riser)

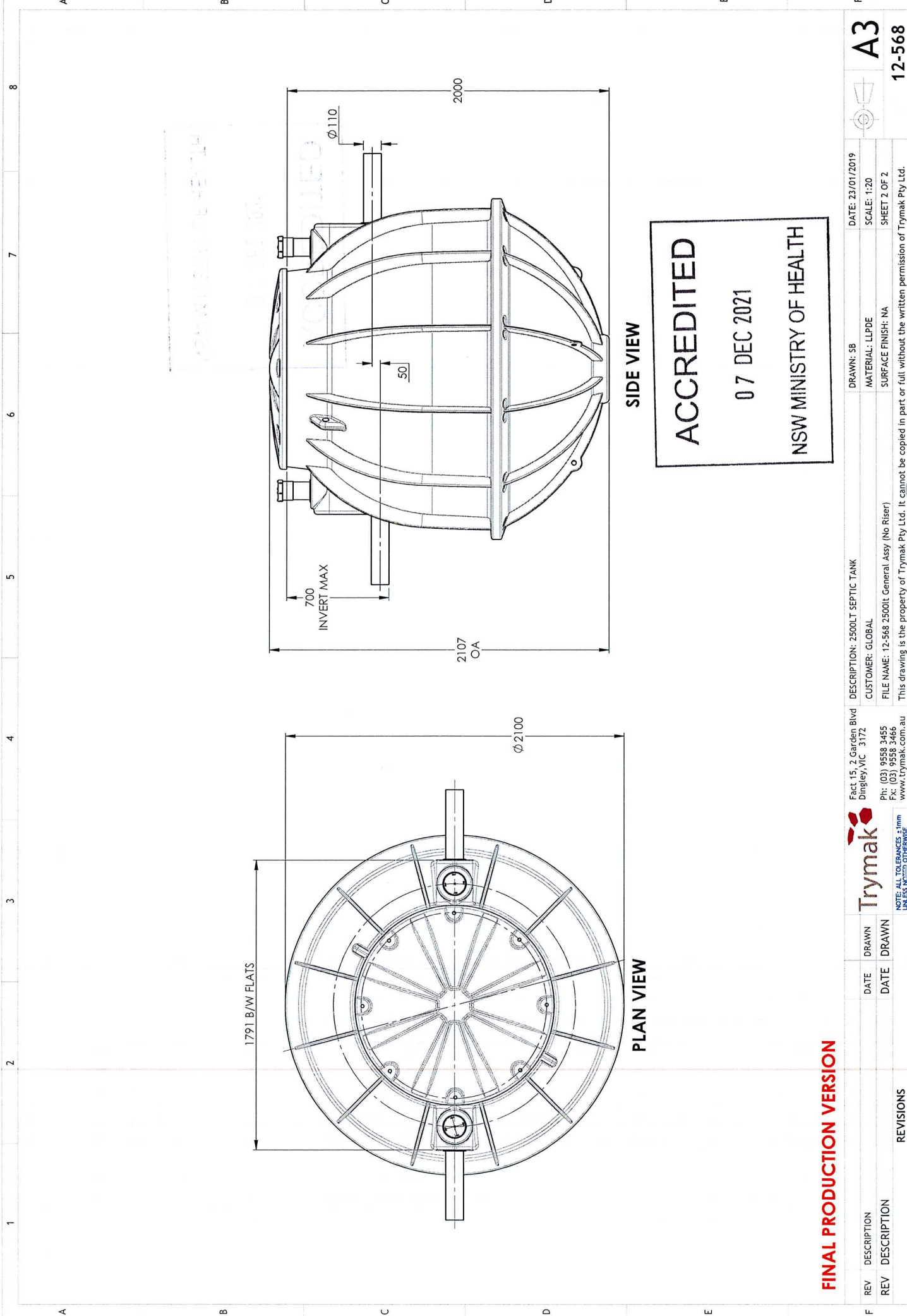
This drawing is the property of Trymak Pty Ltd. It cannot be copied in part or full without the written permission of Trymak Pty Ltd.

Trymak

UNLESS NOTED OTHERWISE

**A3**

**12-568**



**FINAL PRODUCTION VERSION**

REV	DESCRIPTION	DATE	DRAWN
1			
2			
3			
4			
5			
6			
7			
8			

REV	DESCRIPTION	DATE	DRAWN
1			
2			
3			
4			
5			
6			
7			
8			

DESCRIPTION	DATE	SCALE	SHEET
DESCRIPTION: 2500LT SEPTIC TANK	23/01/2019	1:20	2 OF 2
CUSTOMER: GLOBAL			
FILE NAME: 12-568 2500lt General Assy (No Riser)			
This drawing is the property of Trymak Pty Ltd. It cannot be copied in part or full without the written permission of Trymak Pty Ltd.			

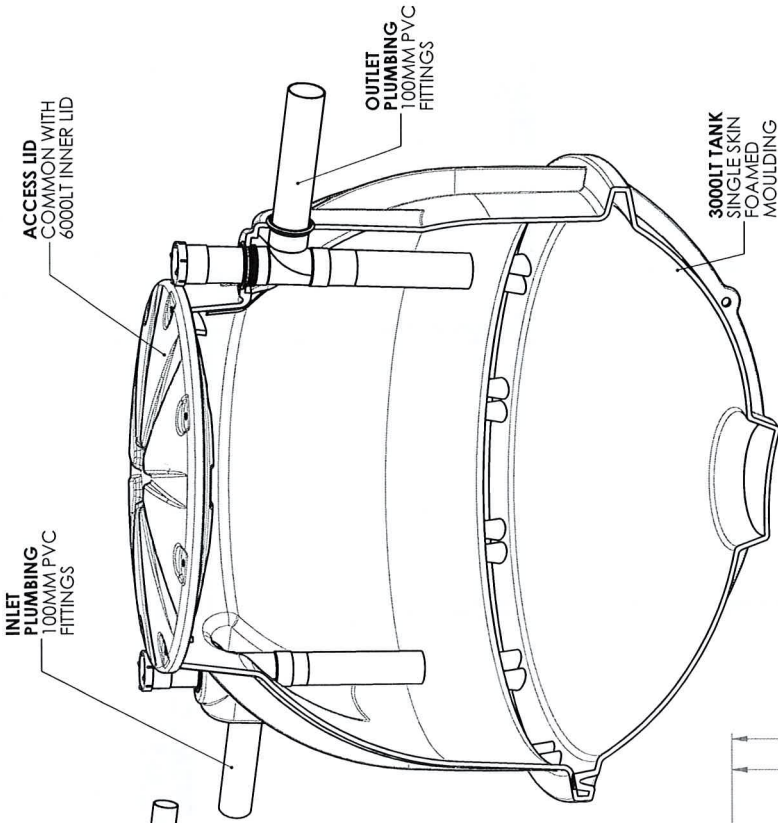
DESCRIPTION	DATE	SCALE	SHEET
DESCRIPTION: 2500LT SEPTIC TANK	23/01/2019	1:20	2 OF 2
CUSTOMER: GLOBAL			
FILE NAME: 12-568 2500lt General Assy (No Riser)			
This drawing is the property of Trymak Pty Ltd. It cannot be copied in part or full without the written permission of Trymak Pty Ltd.			

DESCRIPTION	DATE	SCALE	SHEET
DESCRIPTION: 2500LT SEPTIC TANK	23/01/2019	1:20	2 OF 2
CUSTOMER: GLOBAL			
FILE NAME: 12-568 2500lt General Assy (No Riser)			
This drawing is the property of Trymak Pty Ltd. It cannot be copied in part or full without the written permission of Trymak Pty Ltd.			



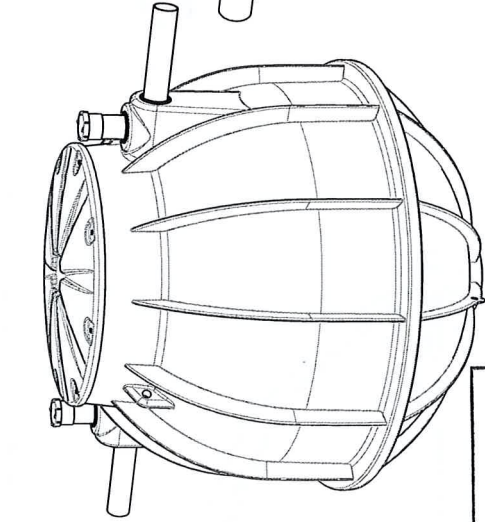
**WORKING CAPACITY APPROX 3200LT**



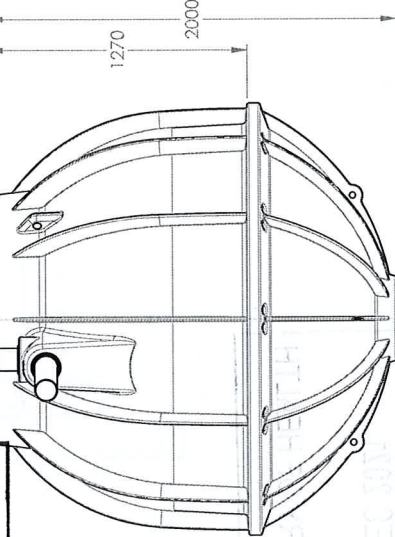
**SECTIONAL PICTORIAL VIEW**

**TANK WALL SPECIFICATION**  
 TRIPLE SHOT (FOAM CORE)  
 OUTER LAYER = 5.5mm (87kg)  
 FOAM CORE = 10.5mm (44kg)  
 INNER LAYER = 5.5mm (54kg)  
**TOTAL MOULDED WEIGHT APPROX = 185KG**  
**TOTAL MOULDED THICKNESS (NOMINAL) = 21.5KG**

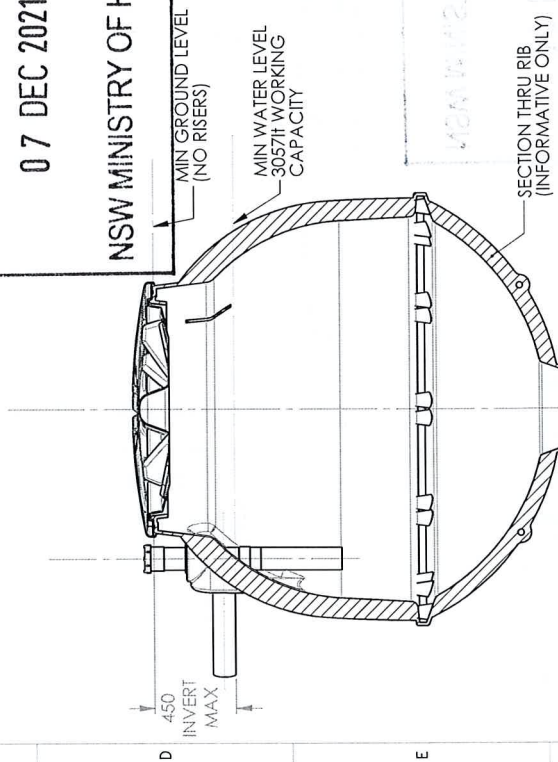
**LID WALL SPECIFICATION**  
 SINGLE LAYER (DUAL SKIN) = 5.0mm (15Kg)



**ACCREDITED**  
 07 DEC 2021  
 NSW MINISTRY OF HEALTH



**SIDE VIEW**



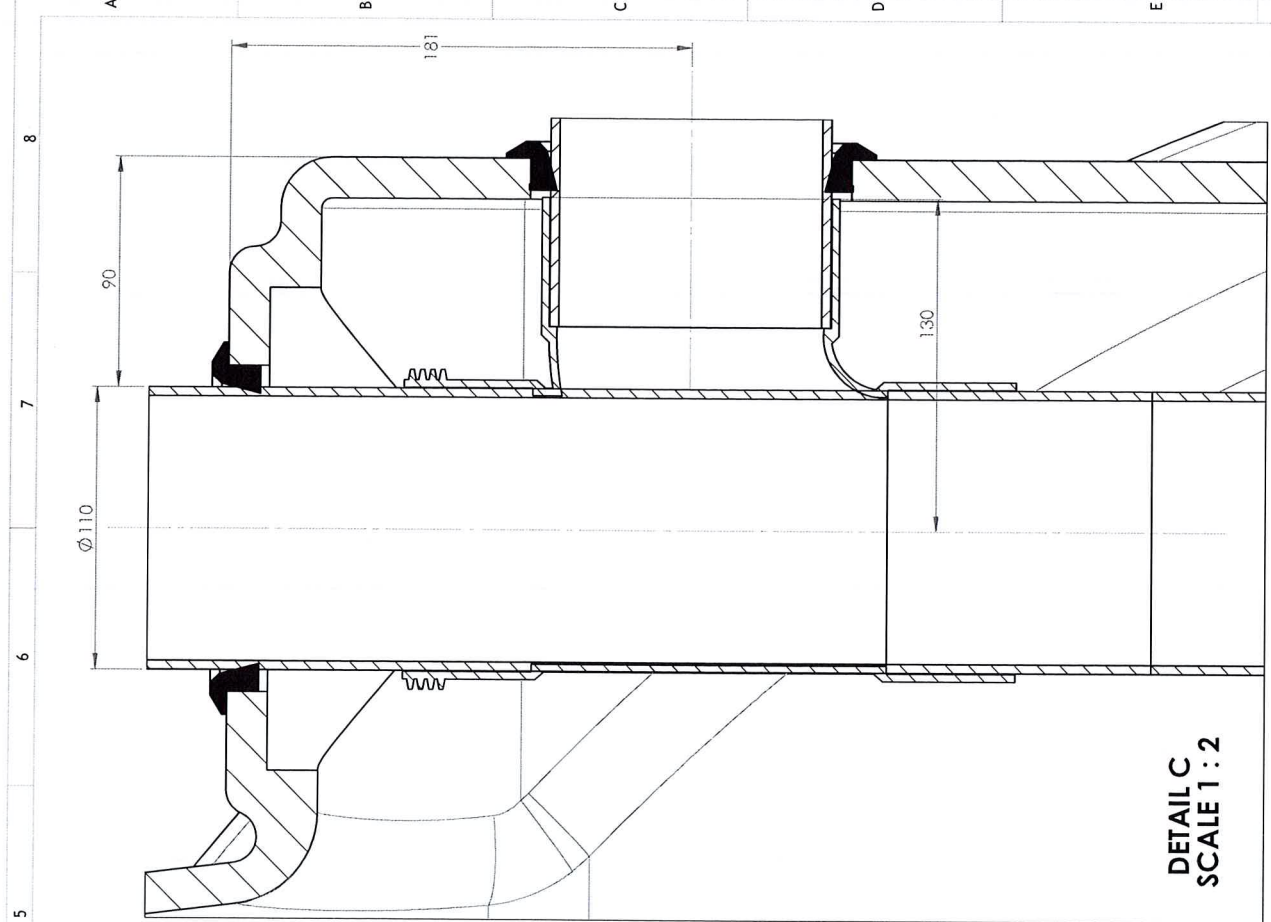
**SECTION A-A**

REV	DESCRIPTION	DATE	DRAWN	DATE	DRAWN	REVISIONS

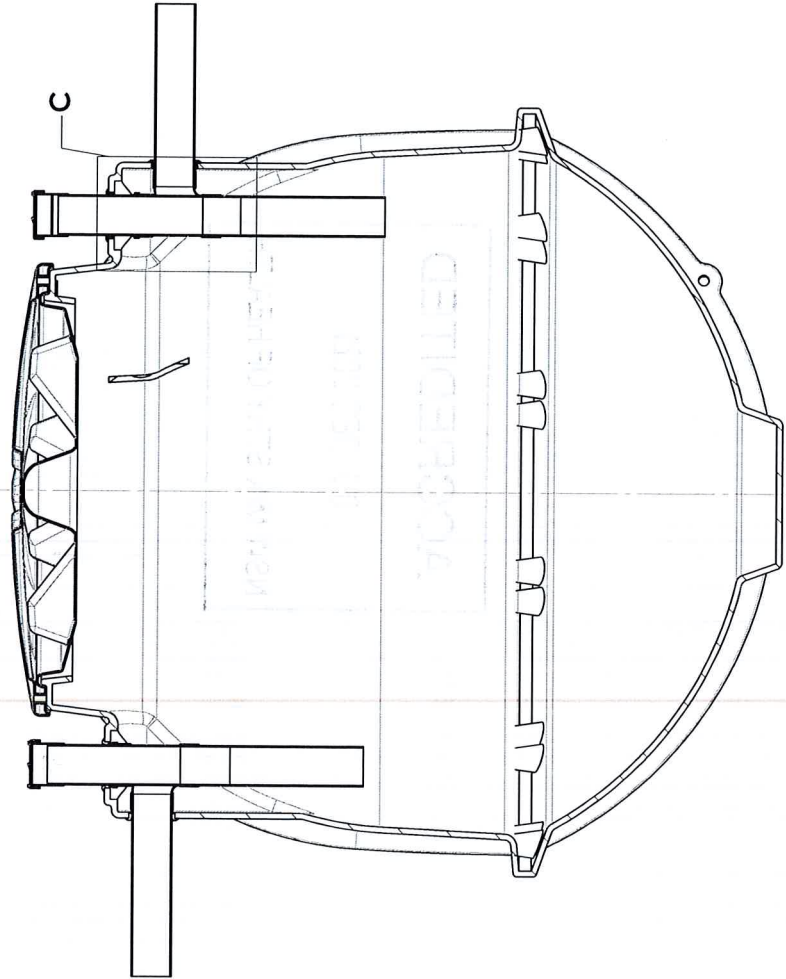
  

FACT: 15, 2, Garden Blvd Dingley, VIC 3172	DESCRIPTION: 3000LT SEPTIC TANK	CUSTOMER: GLOBAL	DATE: 10/21/2014
Ph: (03) 9558 3455	FILE NAME: 12-568 3000lt General Assy (No Riser)	www.trymak.com.au	SCALE: 1:25
Fx: (03) 9558 3466	This drawing is the property of Trymak Pty Ltd. It cannot be copied in part or full without the written permission of Trymak Pty Ltd.		SHEET 1 OF 2



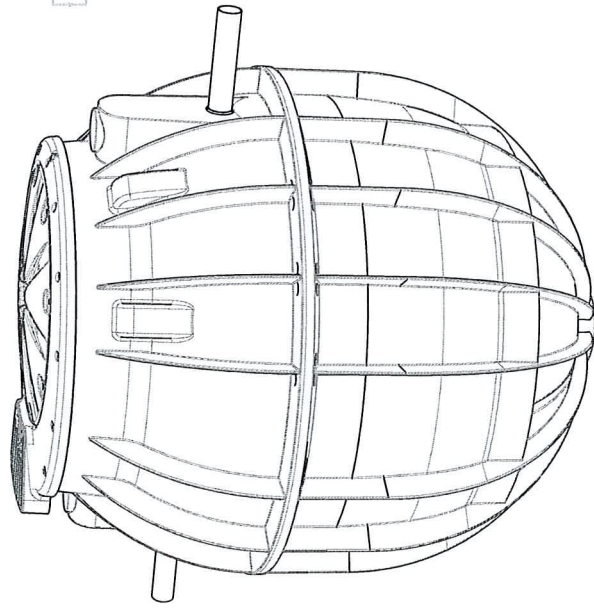


**ACCREDITED**  
07 DEC 2021  
NSW MINISTRY OF HEALTH



F	REV	DESCRIPTION	DATE	DRAWN	Fact 15, 2 Garden Blvd Dingley, VIC 3172	DESCRIPTION: 3000LT SEPTIC TANK	DRAWN: LC	DATE: 10/21/2014	A3
F	REV	DESCRIPTION	DATE	DRAWN	Ph: (03) 9558 3455 Fk: (03) 9558 3466 www.rymak.com.au	CUSTOMER: GLOBAL	MATERIAL: LLPDE	SCALE: 1:25	12-568
		REVISIONS			FILE NAME: 12-568 3000LT General Assy (No Riser)		SURFACE FINISH: NA	SHEET 2 OF 2	
This drawing is the property of Trymak Pty Ltd. It cannot be copied in part or full without the written permission of Trymak Pty Ltd.									

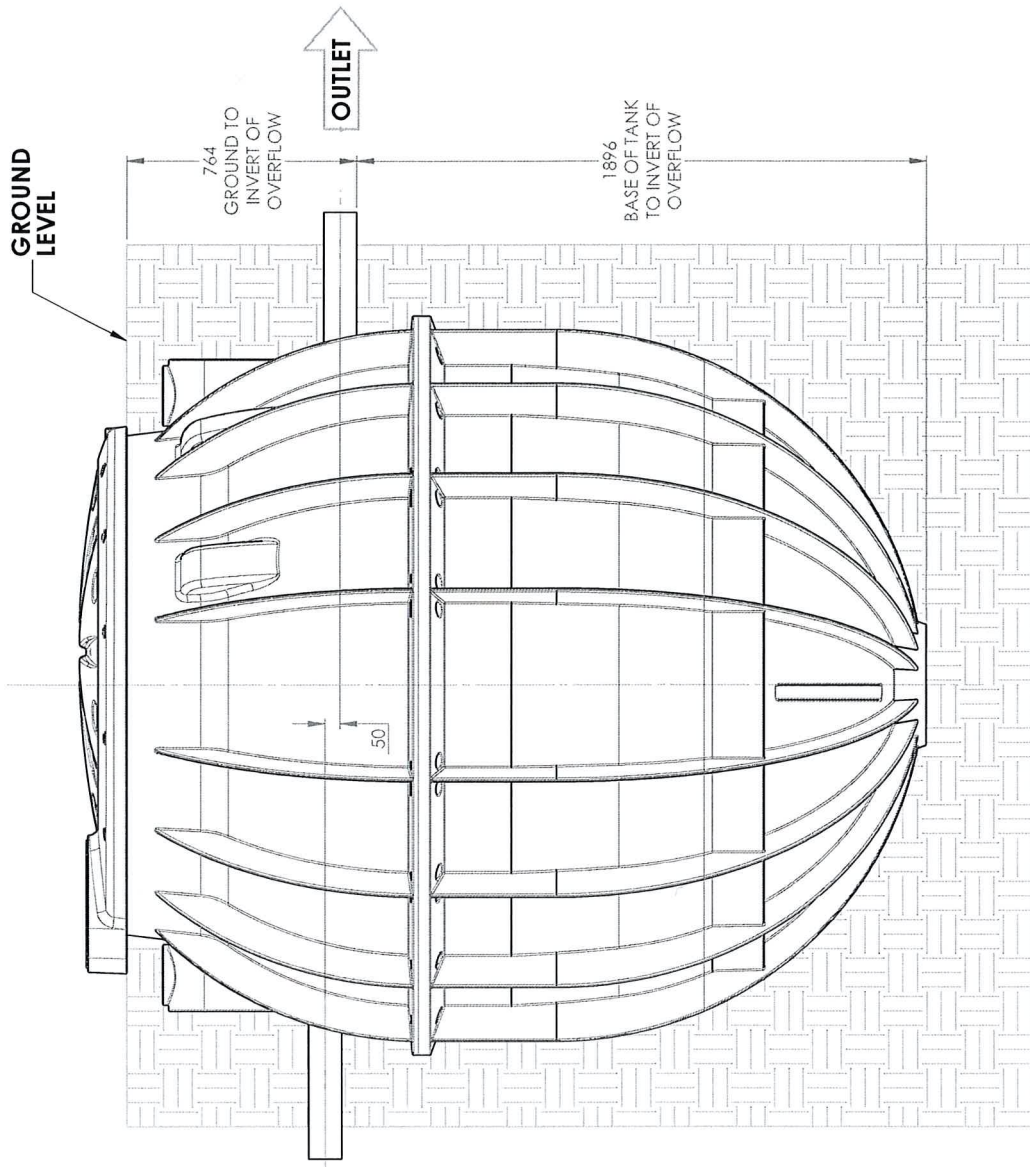
# 12-568 4500l SEPTIC TANK WORKING DRAWING



**PICTORIAL VIEW**

07 DEC 2021

NSW MINISTRY OF HEALTH



**SIDE VIEW**

REFER TO CAD IF SPEC'D  
NO STRUCTURAL ENGINEERING HAS BEEN CONSIDERED

**PRODUCT SIZES**

**PRELIMINARY - NOT FOR PRODUCTION**

**SIGNED:**

**DATE:**

CUSTOMER: GLOBAL

DESCRIPTION: 4500L SEPTIC TANK WORKING DRAWING

SURFACE FINISH:

DRAWN: LC

DATE: 1/09/2015

12-568

A3

8

MATERIAL:

SCALE: 1:50

12-568

A3

8

WEIGHT:

SHEET 1 OF 1

12-568

A3

8

WALL THICKNESS:

Fact 15, 2 Garden Blvd, Dingley, VIC, 3172 Ph: (03) 9558 3455 Fx: (03) 9558 3466 www.trymak.com.au

12-568

A3

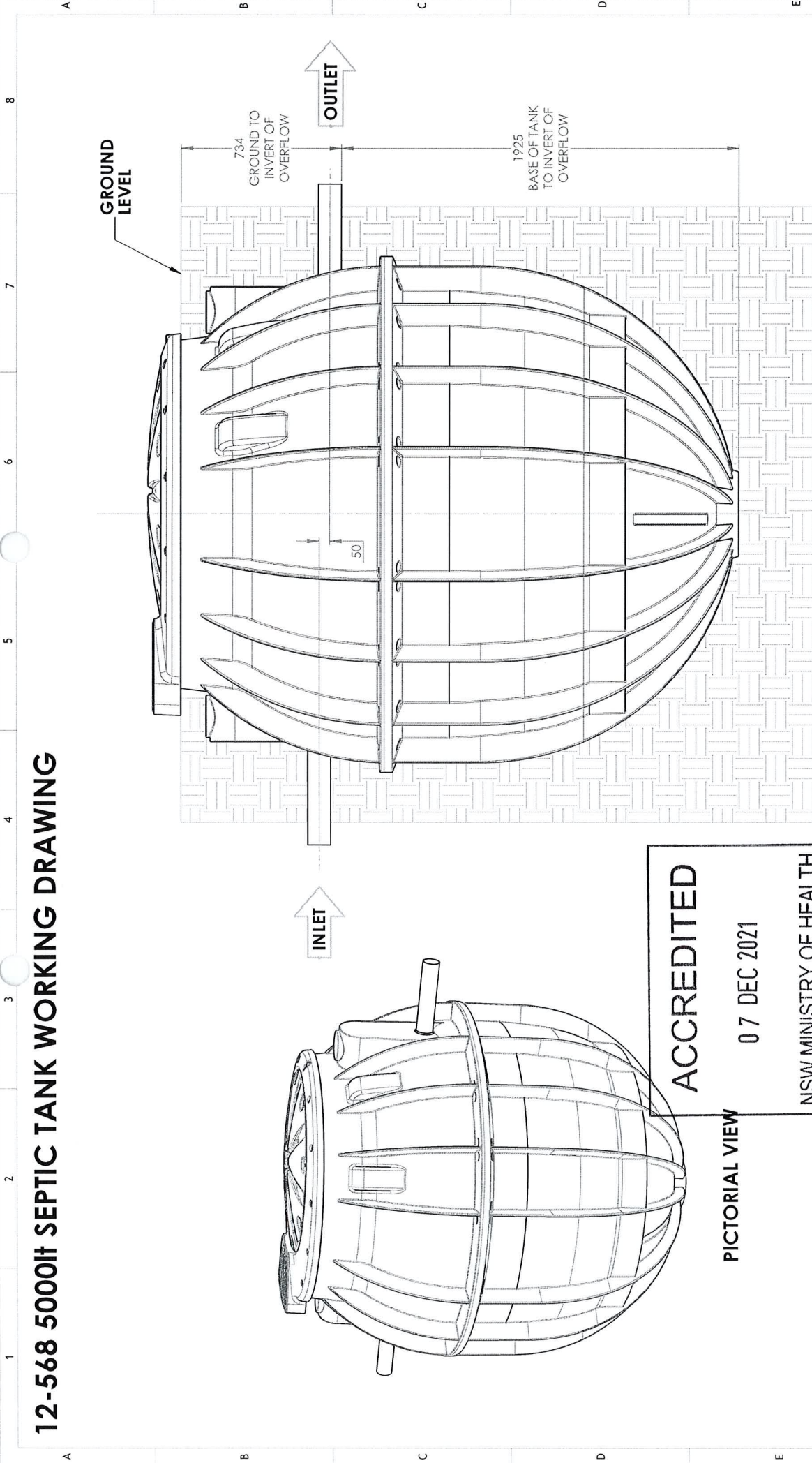
8



Trymak

Ph: (03) 9558 3455 Fx: (03) 9558 3466 www.trymak.com.au

# 12-568 5000lt SEPTIC TANK WORKING DRAWING



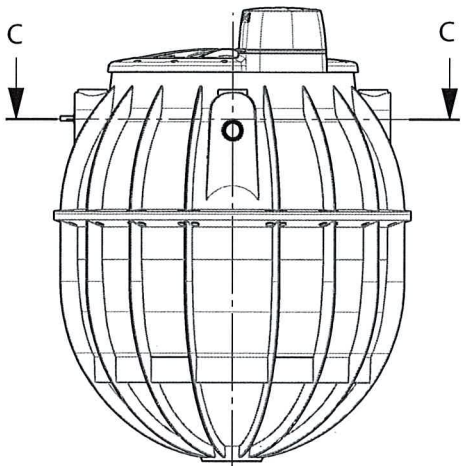
**ACCREDITED**  
07 DEC 2021  
NSW MINISTRY OF HEALTH

PICTORIAL VIEW

SIDE VIEW

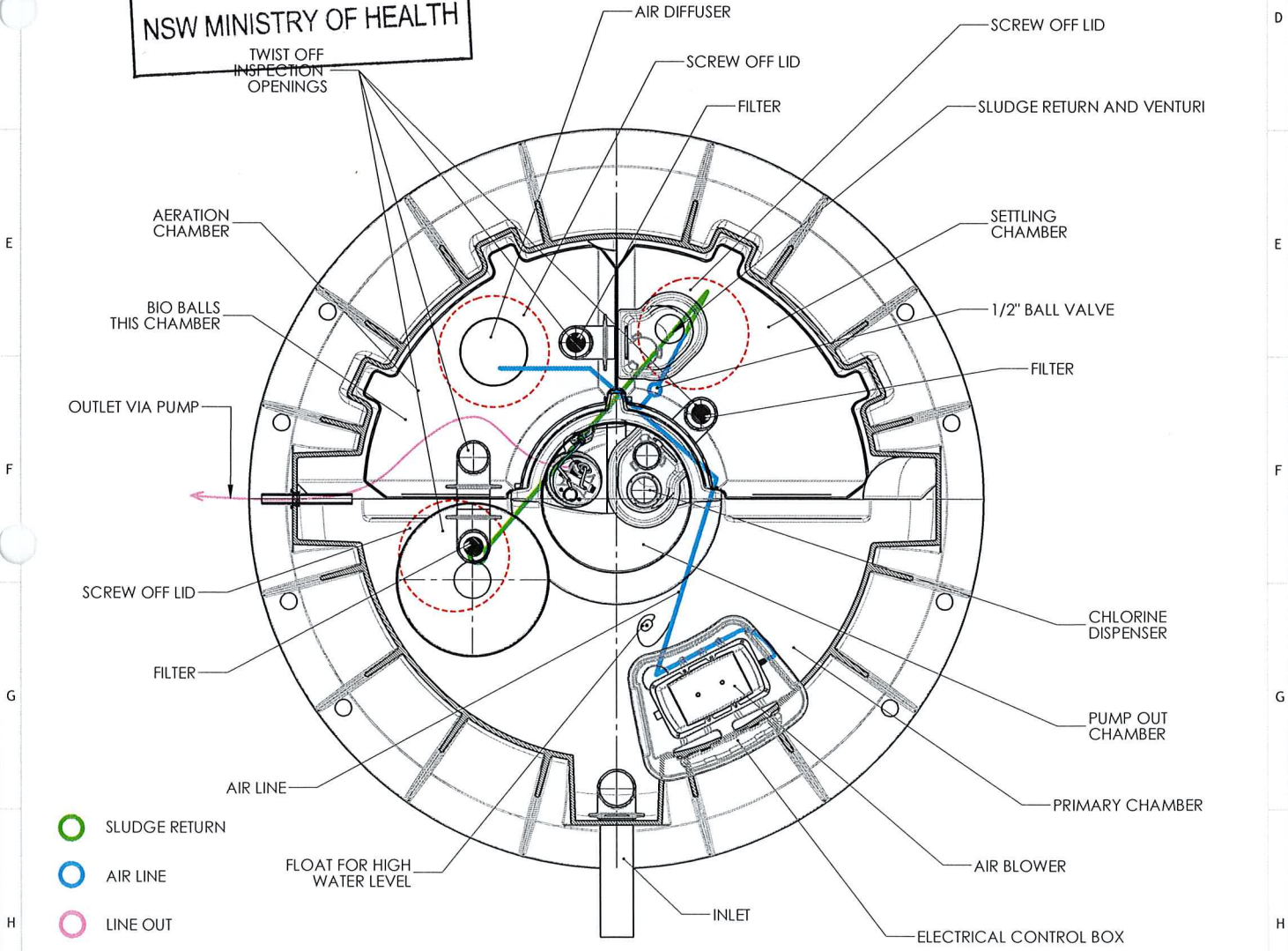
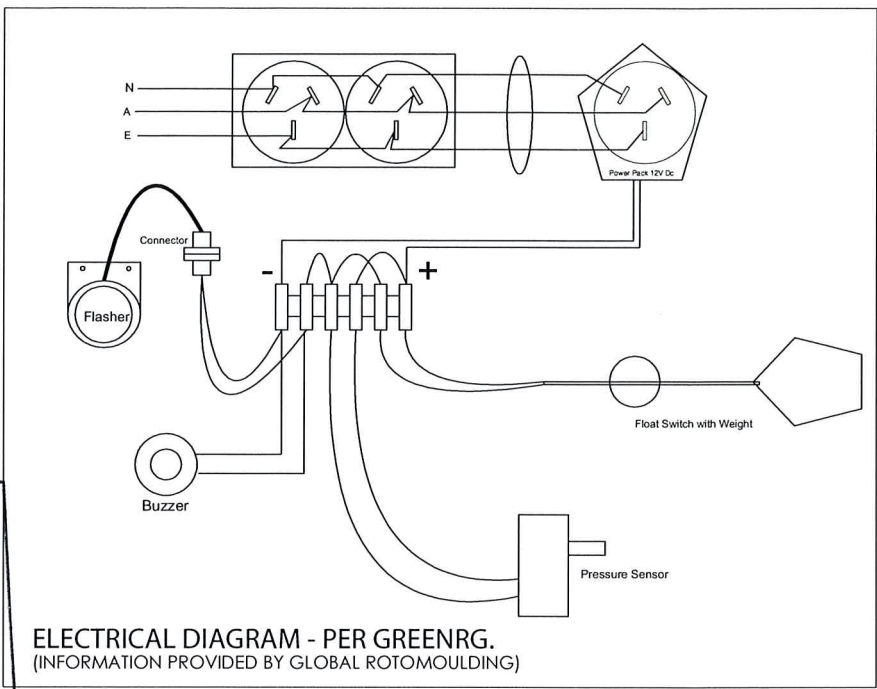
REFER TO CAD IF SPEC'D NO STRUCTURAL ENGINEERING HAS BEEN CONSIDERED		<b>PRODUCT SIZES</b>		<b>PRELIMINARY - NOT FOR PRODUCTION</b>		<b>SIGNED:</b> 12-568		<b>DATE:</b>	
C	CUSTOMER: GLOBAL	DESCRIPTION: 5000L SEPTIC TANK WORKING DRAWING	SURFACE FINISH: LC	DRAWN: LC	A3	Trymak			
B	DATE	DRAWN FILE NAME: 12-568 4500lt Tank Working Drawing	MATERIAL:	DATE: 26/10/2015	www.trymak.com.au				
A	DESCRIPTION	This drawing is the property of Trymak Pty Ltd. It cannot be copied in part or full without the written permission of Trymak Pty Ltd.	WEIGHT:	SCALE: 1:50	Fact 15, 2 Garden Blvd, Dingley, VIC, 3172. Ph: (03) 9558 3455 Fx: (03) 9558 3466				
REV	NOTE: ALL TOLERANCES ±1% UNLESS NOTED OTHERWISE	WALL THICKNESS:	SHEET 1 OF 1						
1			2	3	4	5	6	7	8



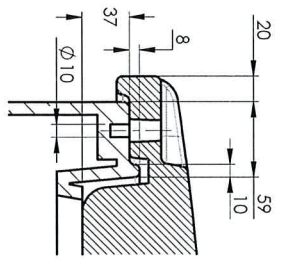


**SIDE VIEW**  
**ACCREDITED**  
 07 DEC 2021  
 NSW MINISTRY OF HEALTH

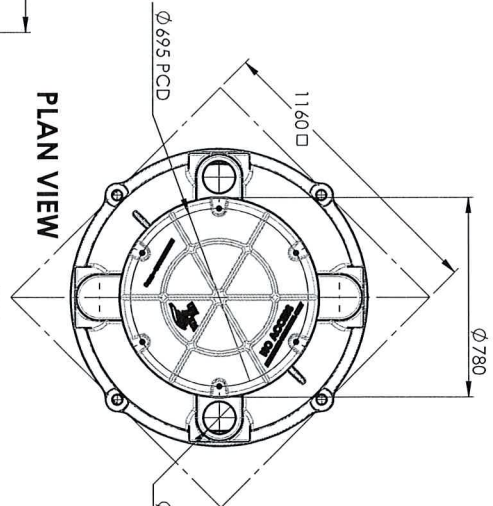
TWIST OFF INSPECTION OPENINGS



REFER TO CAD IF SPEC'D		PRODUCT SIZES		SIGNED: _____ DATE: _____	
C		CUSTOMER: GLOBAL		SURFACE FINISH:	
B		DESCRIPTION: UBI AQUA 6000 WATER TREATMENT SYSTEM		MATERIAL:	
A		FILE NAME: 12-568 6000lt Septic Tank Services		WEIGHT:	
REV	DESCRIPTION	DATE	AMCD DRN	WALL THICKNESS:	
NOTE: ALL TOLERANCES ±1% UNLESS NOTED OTHERWISE					
This drawing is the property of Trymak Pty Ltd. It cannot be copied in part or full without the written permission of Trymak Pty Ltd.		Fact 15, 2 Garden Blvd, Dingley, VIC, 3172 Ph: (03) 9558 3455 Fx: (03) 9558 3466 www.trymak.com.au		12-568	A3
		DRAWN: LC DATE: 15.01.2016 SCALE: 1:20 SHEET 2 OF 2		568 6000 SRVS	
1	2	3	4	5	6



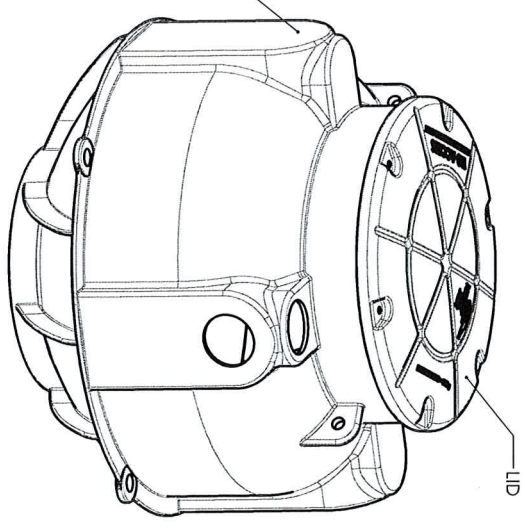
**DETAIL C**  
SCALE 1 : 4



**PLAN VIEW**

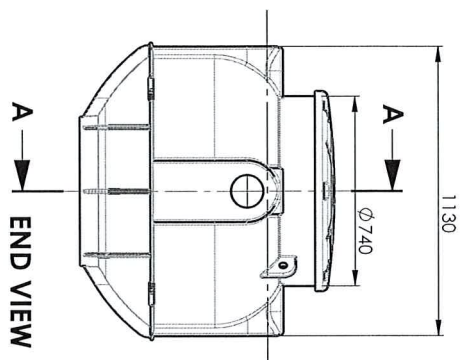
**SHOT WEIGHTS AND NOMINAL WALLS**  
 WALL THICKNESS = 10mm SHELL  
 RIB THICKNESS = 12mm NOM  
**PRODUCT WEIGHTS**  
 43 kg TANK @ 10mm  
 7kg LID @ 6mm

**ACCREDITED**  
 07 DEC 2021  
 MAXIMUM CAPACITY APPROX 580LH  
 NSW MINISTRY OF HEALTH

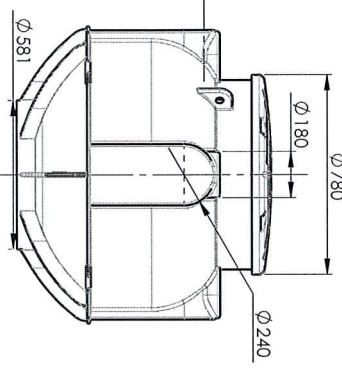


**PICTORIALVIEW**

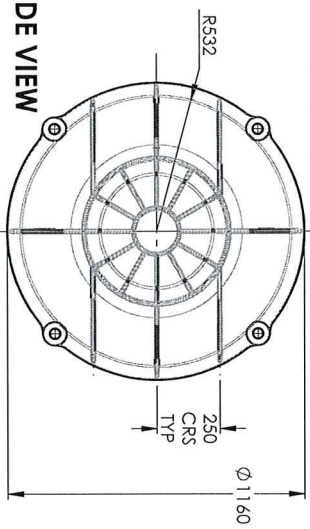
**580L BRIM FULL VOLUME**



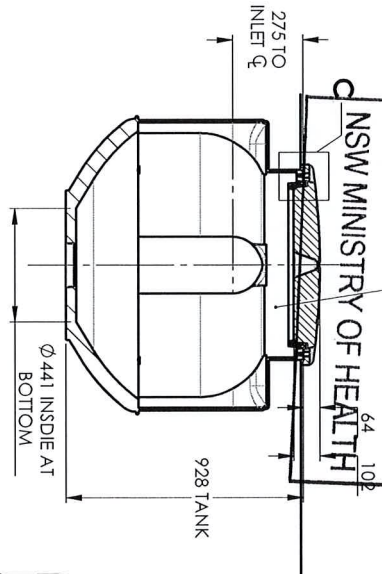
**END VIEW**



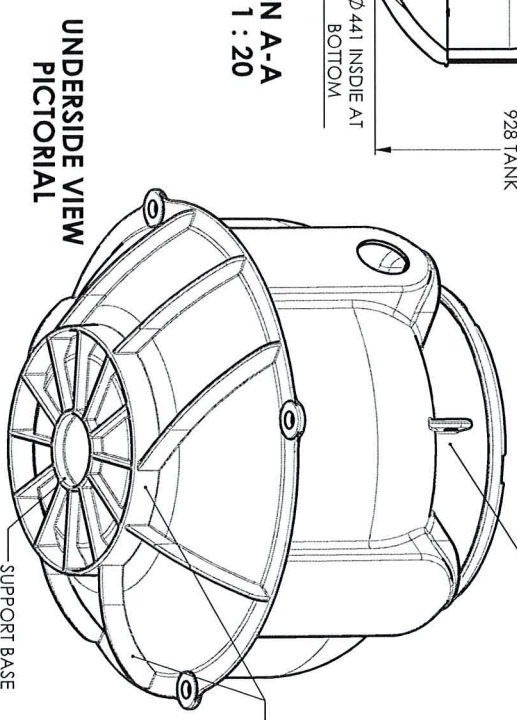
**SIDE VIEW**



**UNDERSIDE VIEW**



**SECTION A-A**  
SCALE 1 : 20



**UNDERSIDE VIEW PICTORIAL**

REFER TO CAD IF SPEC'D.  
NO STRUCTURAL ENGINEERING HAS BEEN CONSIDERED

**PRODUCT SIZES**

**FINAL VERSION - FOR PRODUCTION**

**SIGNED:**

**DATE:**

C	CUSTOMER: GLOBAL ROTOMOULDING	SURFACE FINISH: SMOOTH INDUSTRIAL	DRAWN: SB
B	DESCRIPTION: SMALL SEWER TANK	MATERIAL: MDPF	DATE: 16/11/2021
A	DESCRIPTION	WEIGHT: TBA	SCALE: 1:10
REV	DATE	WALL THICKNESS: TBA	SHEET 1 OF 1
1	NOTE: ALL TOLERANCES ±1% UNLESS NOTED OTHERWISE		

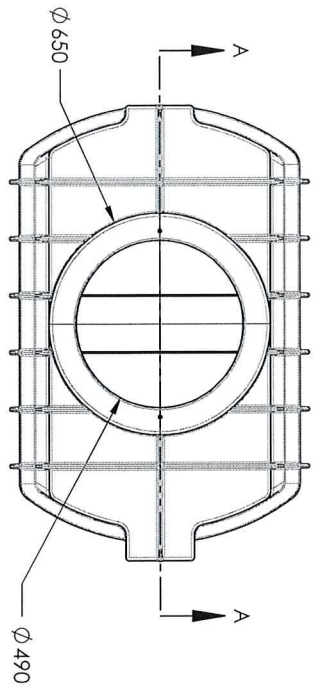
**16-864**

**A3**



**864 PROP**

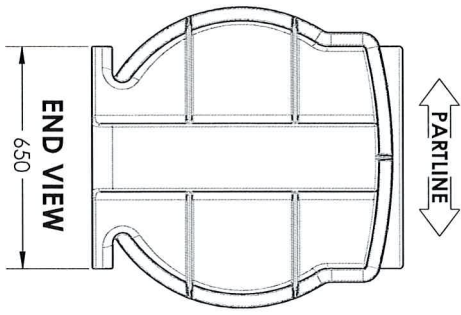
Fact 15, 2 Garden Blvd, Dingley, VIC, 3172 Ph: (03) 9558 3455 Fax: (03) 9558 3466 www.trymak.com.au



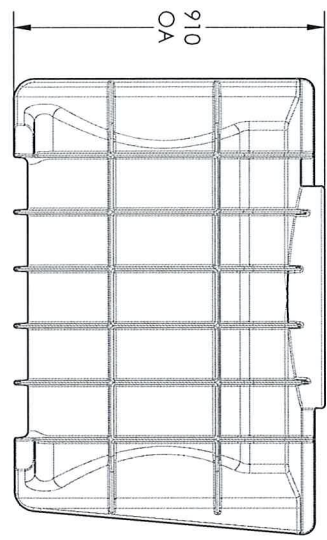
PLAN VIEW



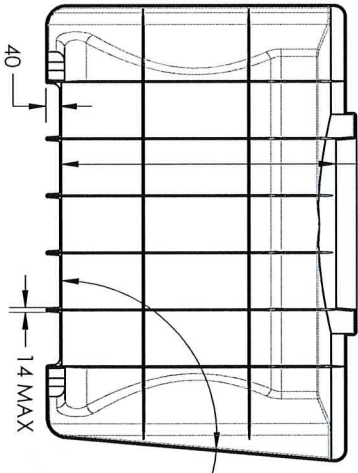
PICTORIAL VIEW



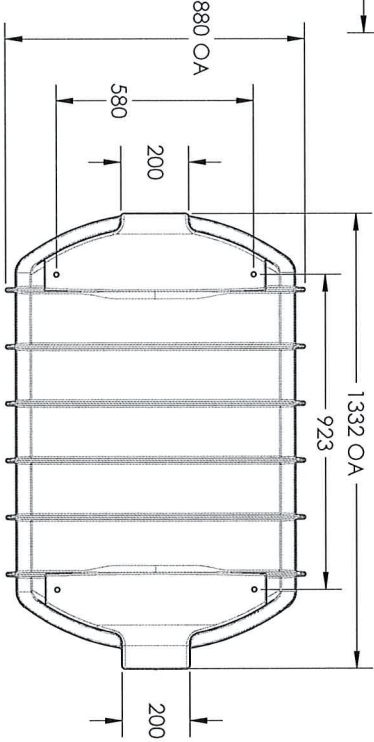
END VIEW



SIDE VIEW

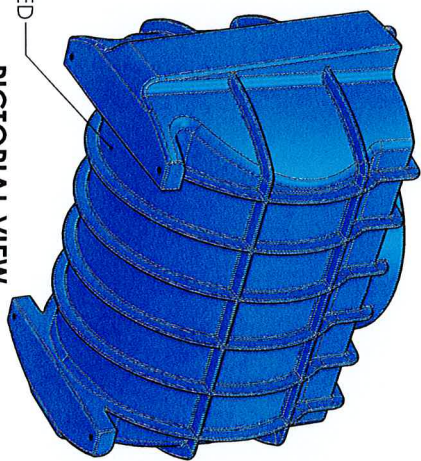


SECTION A-A



UNDERSIDE VIEW

**ACCREDITED**  
07 DEC 2021  
NSW MINISTRY OF HEALTH  
RIB SPACING ALLOWS  
FOR REED BED



PICTORIAL VIEW

**TANKS FULL CAPACITY - APPROX 570L**  
**SHOT WEIGHT - APPROX 50KG @ 10mm WALL SECTION**

**PRODUCT SIZES**

**FINAL PRODUCTION COPY**

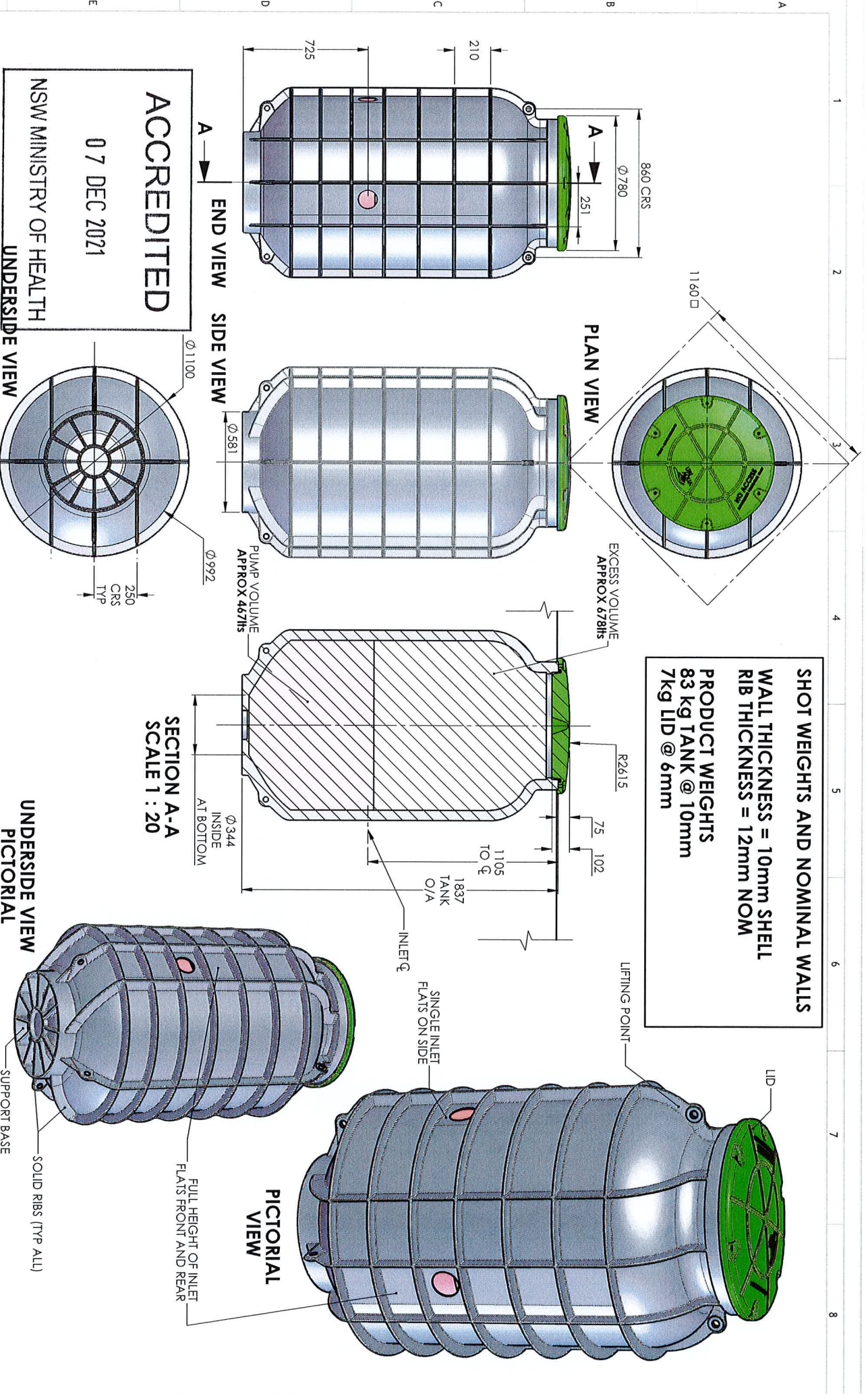
SIGNED: 15-809

DATE:

REFER TO CAD IF SPEC'D. NO STRUCTURAL ENGINEERING HAS BEEN CONSIDERED		CUSTOMER: CUSTOMER	SURFACE FINISH: 400 GRIT CASTING FACE	DRAWN: SB
		DESCRIPTION: DOSING TANK	MATERIAL: LDPE	DATE: 13/07/2018
			WEIGHT: TBA	SCALE: 1:15
			WALL THICKNESS: TBA	SHEET 1 OF 1
REV	DESCRIPTION	DATE	DRAWN/ FILE NAME: 15-809 Dosing Tank 20171220	
1	NOTE: ALL TOLERANCES ±1% UNLESS NOTED OTHERWISE		This drawing is the property of Trymak Pty. Ltd. It cannot be copied in part or full without the written permission of Trymak Pty. Ltd.	







**SHOT WEIGHTS AND NOMINAL WALLS**  
 WALL THICKNESS = 10mm SHELL  
 RIB THICKNESS = 12mm NOM  
 PRODUCT WEIGHTS  
 83 kg TANK @ 10mm  
 7kg LID @ 6mm

**ACCREDITED**  
 07 DEC 2021  
 NSW MINISTRY OF HEALTH  
 UNDERSIDE VIEW

REFER TO CAD IF SPEC'D  
 NO STRUCTURAL ENGINEERING HAS BEEN CONSIDERED

**PRODUCT SIZES**

**FINAL VERSION - FOR PRODUCTION**

**SIGNED:**

**DATE:**

C	CUSTOMER: GLOBAL ROTOMOULDING	SURFACE FINISH: SMOOTH INDUSTRIAL	DRAWN: AMCD
B	DESCRIPTION: SEWER TANK	MATERIAL: MDPE	DATE: 28/06/2018
A		WEIGHT: TBA	SCALE: 1:10
REV	DESCRIPTION	WALL THICKNESS: TBA	SHEET 1 OF 1

NOTE: ALL TOLERANCES  $\pm 1\%$  UNLESS NOTED OTHERWISE

DATE: DRAWN FILE NAME: 16-864 1000L POC AM  
 This drawing is the property of Trymak Ltd. It cannot be copied in part or full without the written permission of Trymak Pty Ltd.

16-864

A3



864 PROP

