



# Certificate of Accreditation

## Sewage Management Facility

### Septic Tanks & Collection Wells

*This Certificate of Accreditation is issued by the Secretary of the NSW Ministry of Health pursuant to Clause 41(1) of the Local Government (General) Regulation 2021.*

**Manufacturer:** *Precast Civil Industries Pty Ltd t/a Toowoomba Tanks & Super-Treat Systems (QLD) Pty Ltd*

**Of:** *32 Cumner Road, Toowoomba, QLD, 4350*

*The Collection Well as described in the following Schedule has been accredited as a sewage management facility for use in single domestic premises in NSW.*

*A/Director, Environmental Health  
for Secretary (delegation PH335)*

**Issued:** *20 / Feb / 2023*

**Certificate No:** *STCW044*

**Expires:** *31 December 2027*

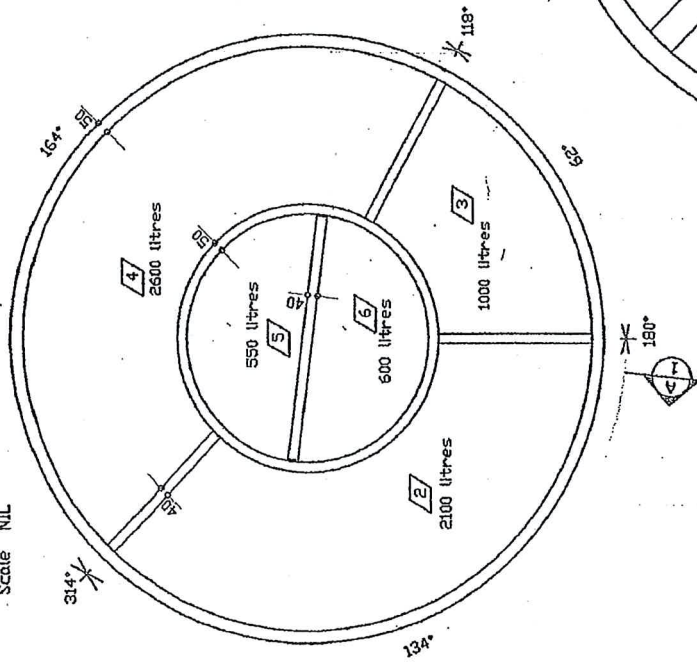


## ***Accreditation Schedule***

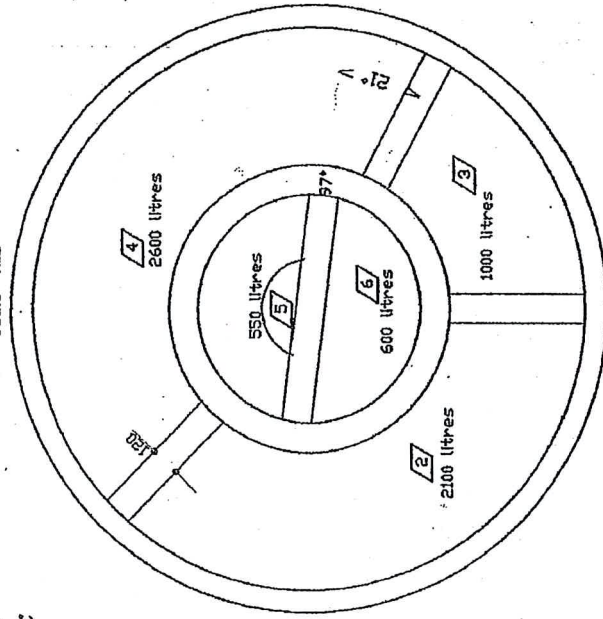
*The Certificate of Accreditation applies to the following  
Septic Tanks and Collection Wells*

Model	Description	Size
Collection Well For Turbojet Single	Vertical axis type, cylindrical precast steel or poly fibre reinforced concrete, with lid, access cover and inlet fitting. Certification applies only to the construction of the tank, lid and access cover. It does not include internal fittings or partitions.	10,000 L with working capacity of 8,000 L

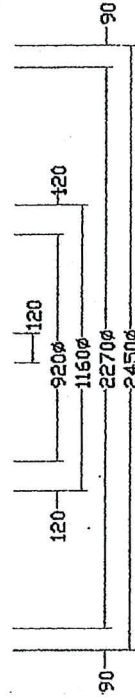
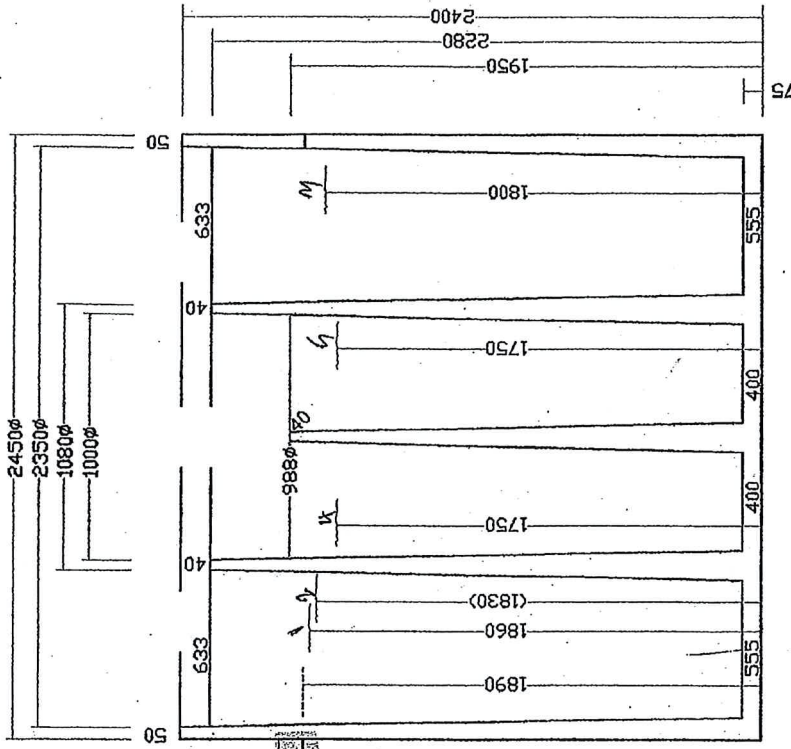
**Tank at Top**  
Scale NIL



**Tank at Floor**  
Scale NIL



**ACCREDITED**  
20 FEB 2023  
NSW MINISTRY OF HEALTH



# SUPER-TREAT

SEWAGE TREATMENT SYSTEMS  
19 DALWOOD STREET, CARSLUKE QLD 4084  
Ph: 07 3653 8238 - Fax: 07 3653 2311

Model No. SB 440 - 1T  
Sewage Treatment System  
2000 Litres Per Day System

Issue 6/  
30.03.2009  
Sheet 1 of 1

Issue 2, 30.03.2009, 2005-2006/28 SMITHSONS