



Certificate of Accreditation

Sewage Management Facility

Septic Tanks & Collection Wells

This Certificate of Accreditation is issued by the Secretary of the NSW Ministry of Health pursuant to Clause 41(1) of the Local Government (General) Regulation 2005.

Manufacturer: Taylex Industries Pty Ltd

Of: 56 Prairie Road, Ormeau, QLD, 4208

The Taylex Industries Septic Tank, Collection Wells and Pump Well as described in the following Schedule have been accredited as sewage management facilities for use in single domestic premises in NSW.

*A/Director, Environmental Health
for Secretary (delegation PH335)*

Issued: 9 October 2020

Certificate No: STCW045

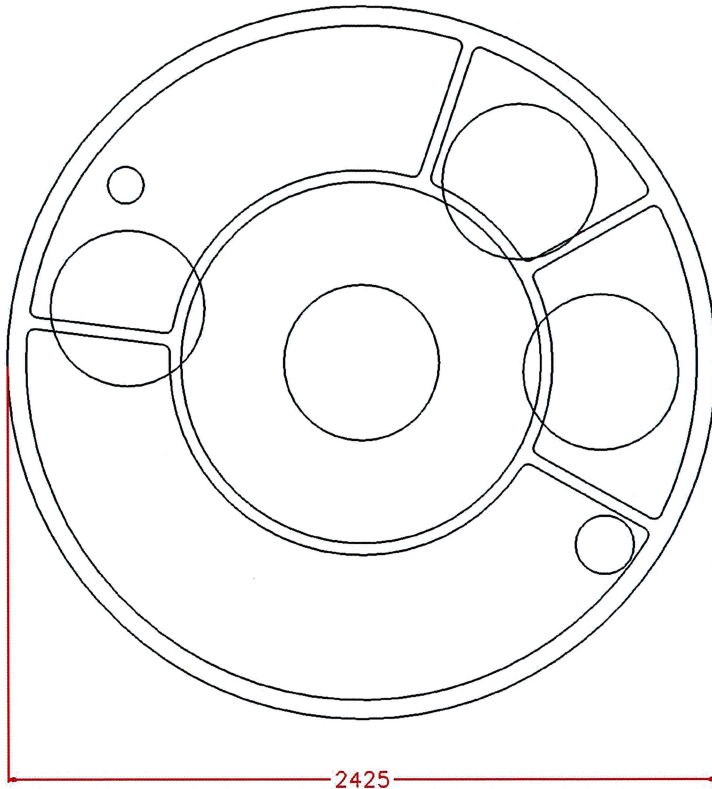
Expires: 31 December 2025



Accreditation Schedule

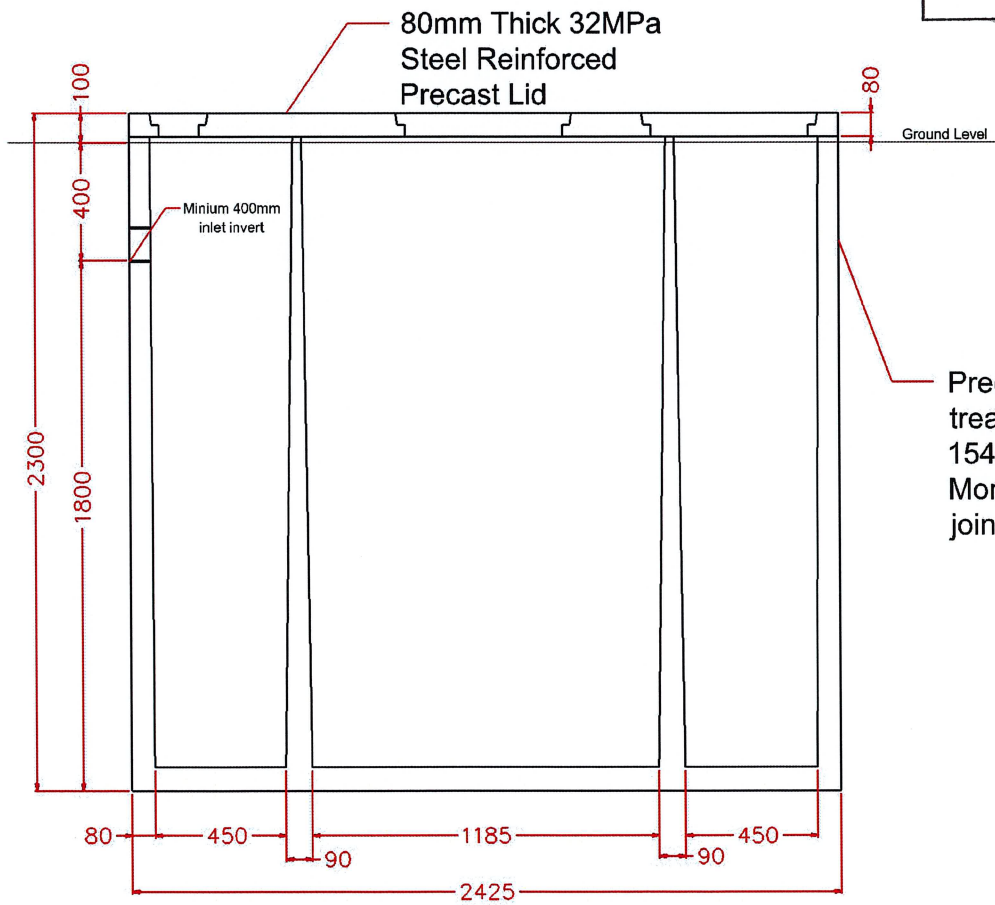
*The Certificate of Accreditation applies to the following
Septic Tank, Collection Wells and Pump Well which may be installed
in ground or above ground:*

Model	Description	Nominated Capacity (Operational Capacity)
ABS Collection Wells	Vertical axis type cylindrical precast steel reinforced concrete. Certification applies to the construction of the tank, lid, access cover and inlet fitting. It includes the internal fittings or partitions.	9300L 10,700L 11,000L 11,700L

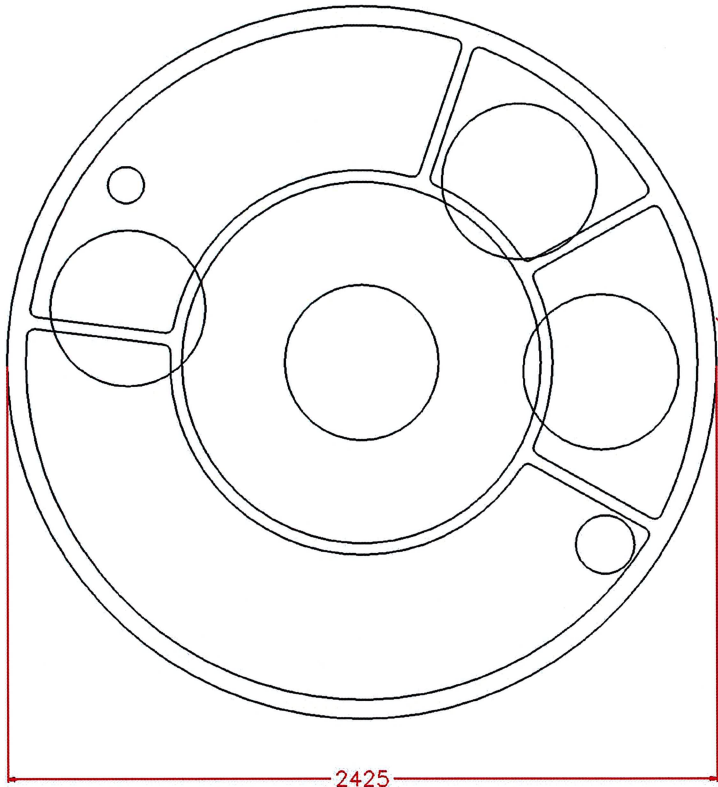


Precast reinforced concrete treatment tank as per AS/NZS 1546.1:2008
 Monolithic construction with no joints in walls or base

ACCREDITED
 9 OCT 2020
 NSW MINISTRY OF HEALTH

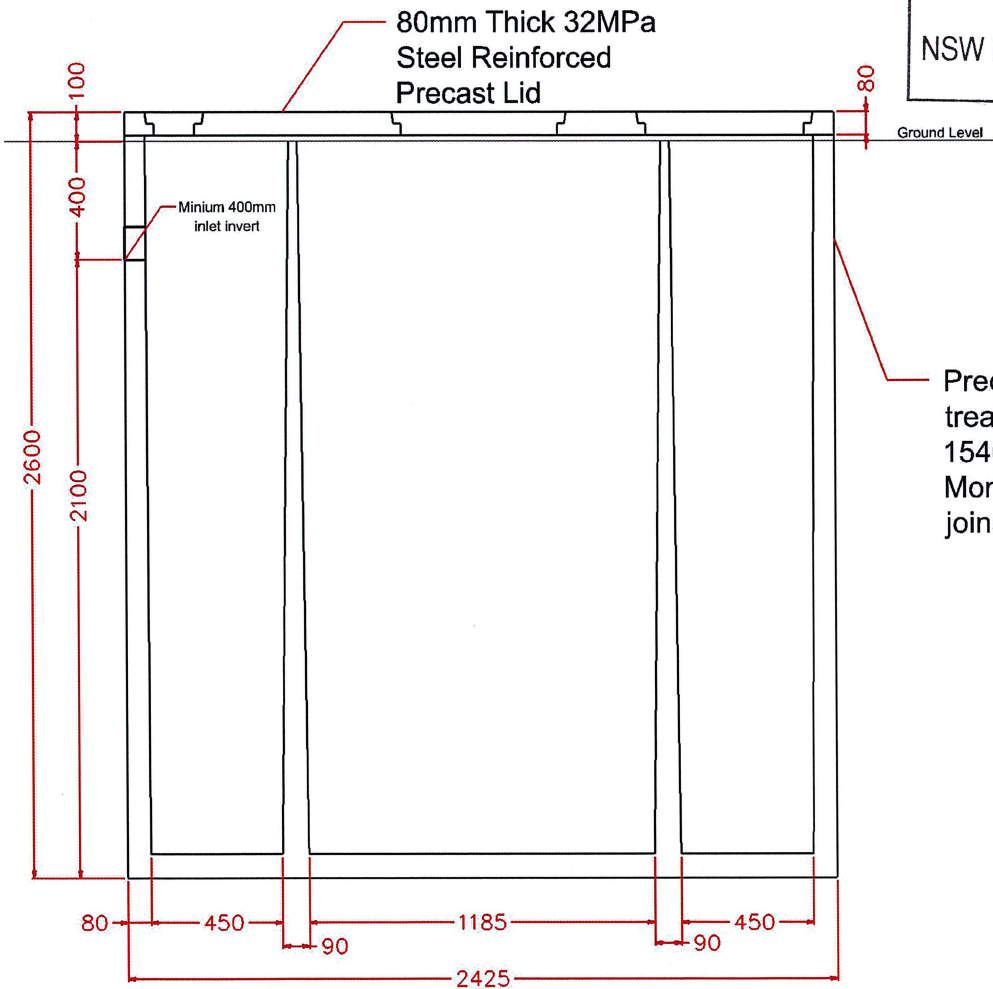


Precast reinforced concrete treatment tank as per AS/NZS 1546.1:2008
 Monolithic construction with no joints in walls or base

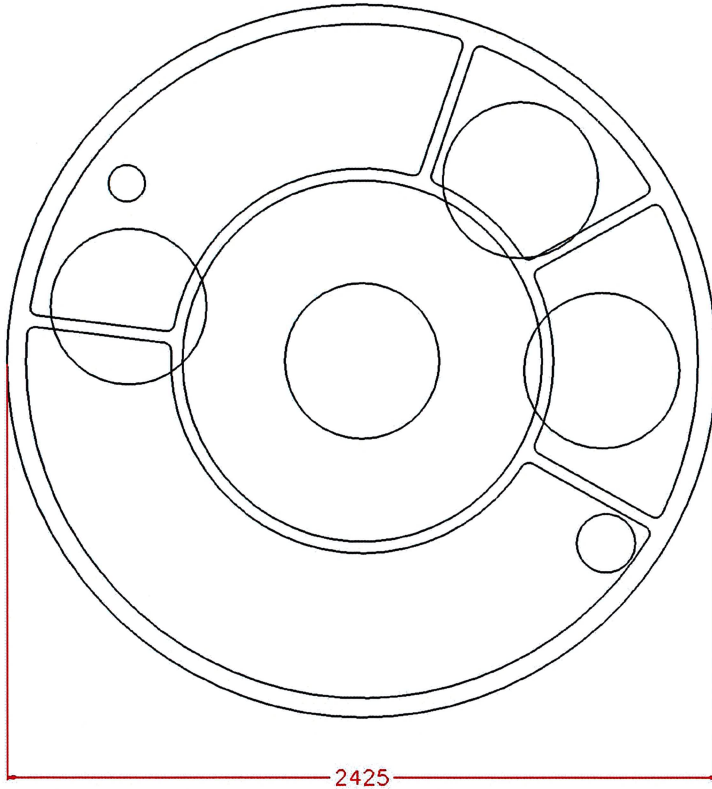


Precast reinforced concrete treatment tank as per AS/NZS 1546.1:2008
 Monolithic construction with no joins in walls or base

ACCREDITED
 9 OCT 2020
 NSW MINISTRY OF HEALTH

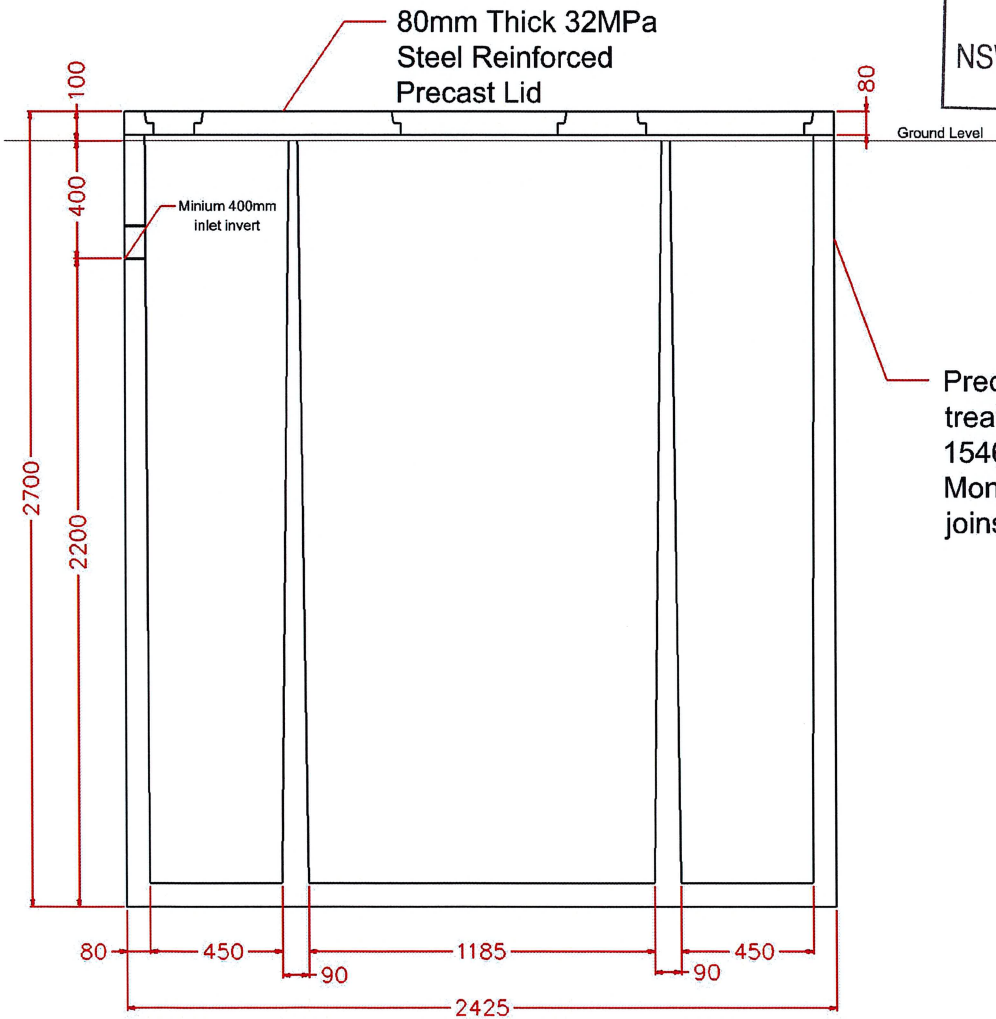


Precast reinforced concrete treatment tank as per AS/NZS 1546.1:2008
 Monolithic construction with no joins in walls or base

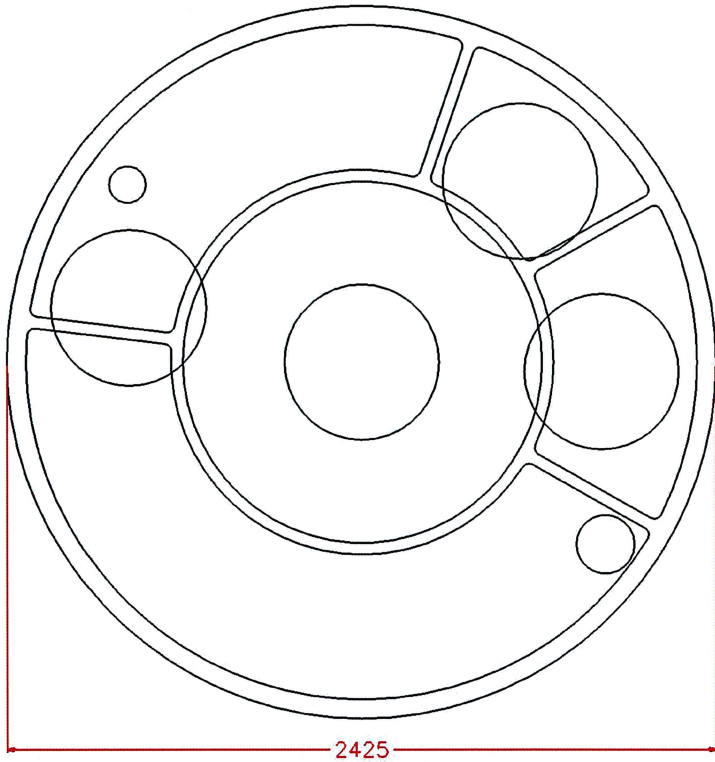


Precast reinforced concrete treatment tank as per AS/NZS 1546.1:2008
Monolithic construction with no joints in walls or base

ACCREDITED
9 OCT 2020
NSW MINISTRY OF HEALTH

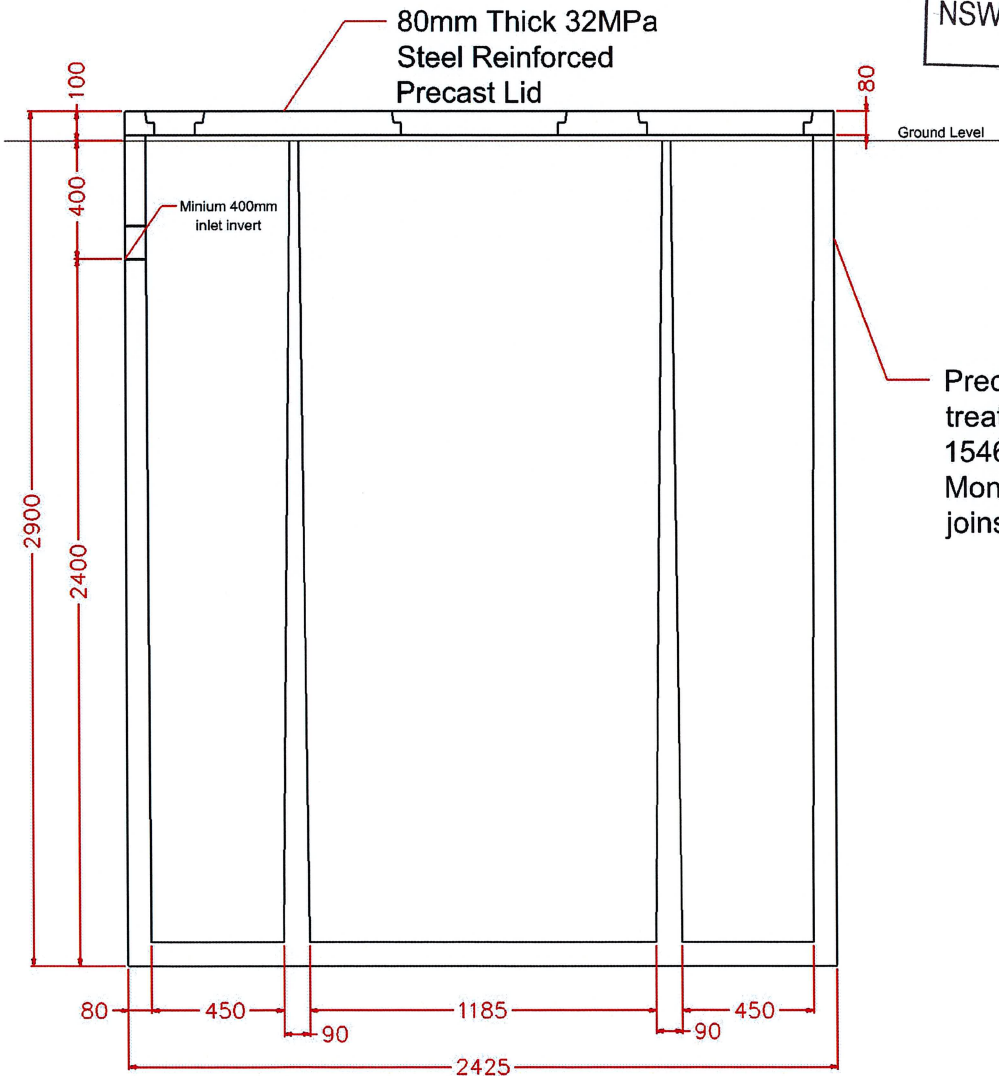


Precast reinforced concrete treatment tank as per AS/NZS 1546.1:2008
Monolithic construction with no joints in walls or base



Precast reinforced concrete treatment tank as per AS/NZS 1546.1:2008
 Monolithic construction with no joins in walls or base

ACCREDITED
 9 OCT 2020
 NSW MINISTRY OF HEALTH



Precast reinforced concrete treatment tank as per AS/NZS 1546.1:2008
 Monolithic construction with no joins in walls or base

Taylex® Tanks
 Wastewater & Rainwater Specialists
 Since 1969

Taylex Industries Pty Ltd
 56 Prairie Road, ORMEAU QLD 4208
 Ph: 07 3441 5200

Date: 19.08.2020

Title:
 Taylex 11700 Septic Tank/Collection Well

This drawing is subject to Copyright and shall not be reproduced or copied in whole or part without written permission of Taylex Industries Pty Ltd.