



Certificate of Accreditation

Sewage Management Facility

Septic Tanks & Collection Wells

This Certificate of Accreditation is issued by the Secretary of the NSW Ministry of Health pursuant to Clause 41(1) of the Local Government (General) Regulation 2005.

*Manufacturer: **BioSeptic Pty Ltd t/a BioSeptic***

*Of: **67 Smeaton Grange Road**
Smeaton Grange, NSW, 2567*

The Septic Tank, Collection Well and Pump Well vessel as described in the following Schedule has been accredited as sewage management facility for use in single domestic premises in NSW.

*
A/Director, Environmental Health
for Secretary (delegation PH335)*

*Issued: **4 / 4 / 2022***

*Certificate No: **STCW050***

*Expires: **31 December 2027***



Accreditation Schedule

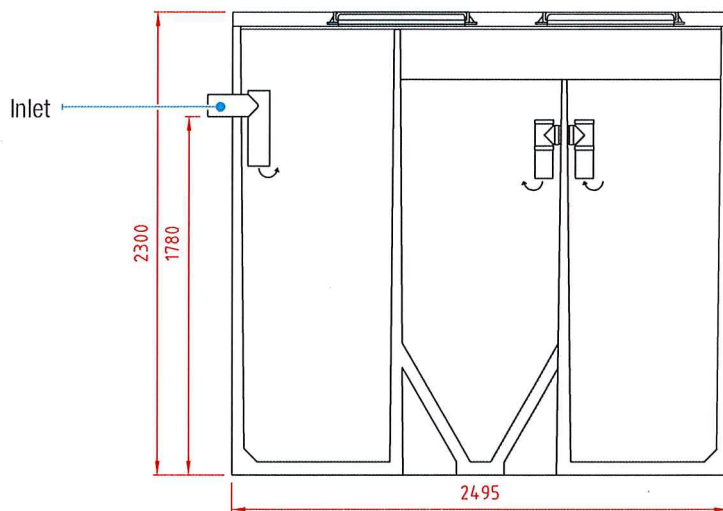
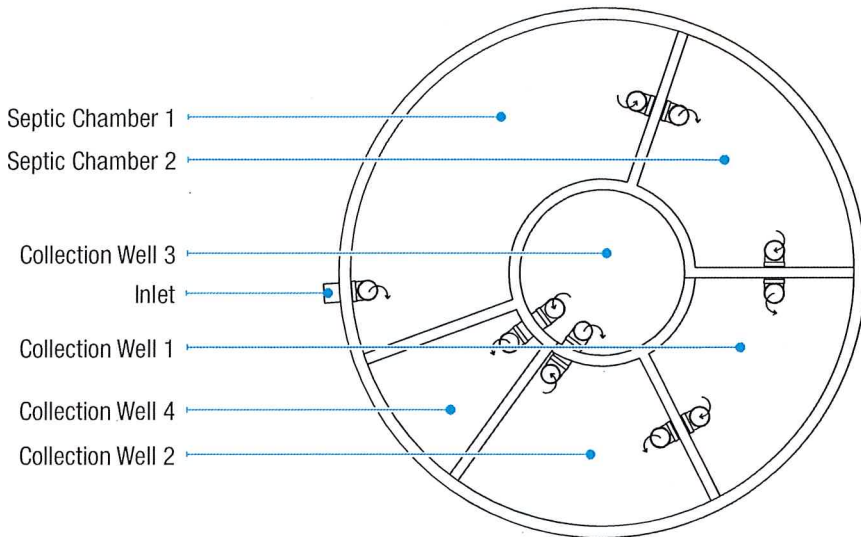
*The Certificate of Accreditation applies to the following
Septic Tanks and Collection Wells*

Model	Description	Size
Combined Multi Chambered Septic tank / Collection Well For S-TEN NR Advanced AWTS	Vertical axis type, cylindrical precast steel fibre reinforced concrete, with lid, access cover and inlet fitting. Certification applies only to the construction of the tank, lid and access cover. It does not include internal fittings or partitions.	7027 L

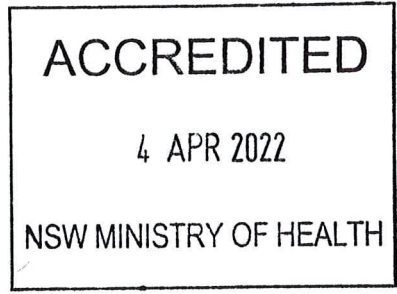
BioSeptic BS-10

COMBINED SEPTIC TANK & MULTI CHAMBERED COLLECTION WELL

NSW Health Certificate of Accreditation - STCW050



CHAMBERS	CAPACITIES
Septic chamber 1	2289 L
Septic chamber 2	1150 L
Collection well 1	1244 L
Collection well 2	1244 L
Collection well 3	623 L
Collection well 4	477 L
Total capacity	7027



The **BioSeptic BS-10** combined septic tank and multi chambered septic tank is primarily used in the assembly of the *BioSeptic S-TEN STS-AWTS*.

The BioSeptic S-TEN multi chambered tank is cast in one piece from fibre reinforced 40mpa concrete and it is accredited to AS/NZS1546.1:2008 Table A1.

67 Smeaton Grange Road, Smeaton Grange, NSW, 2567
 PO BOX 3250, Narellan, NSW, 2567
P: 1300 658 111 | **E:** reception@bioseptic.com.au
www.bioseptic.com.au | **ABN** 95 056 461 226



BIOSeptic
 The Ultimate Sewage System