

Our Ref: 03/8225-03

25 January 2012

Mr Bruce Sherriff
Managing Director
Just Water Solutions Pty Ltd
18 Rayleigh Avenue
Queenscliff VIC 3225

Dear Mr Sherriff,

Grey Water Gator Pro greywater diversion device

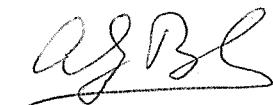
This letter confirms that the NSW Ministry of Health recognises the WaterMark licence no: WMKT22111 granted by IAPMO R&T Oceana to Just Water Solutions Pty Ltd in respect of the Grey Water Gator Pro greywater diversion system and accepts the system as a greywater diversion device.

The Grey Water Gator Pro system is a pump diversion device that reuses the greywater from the laundry, shower and bath outlets. The Grey Water Gator Pro diversion system consists of:

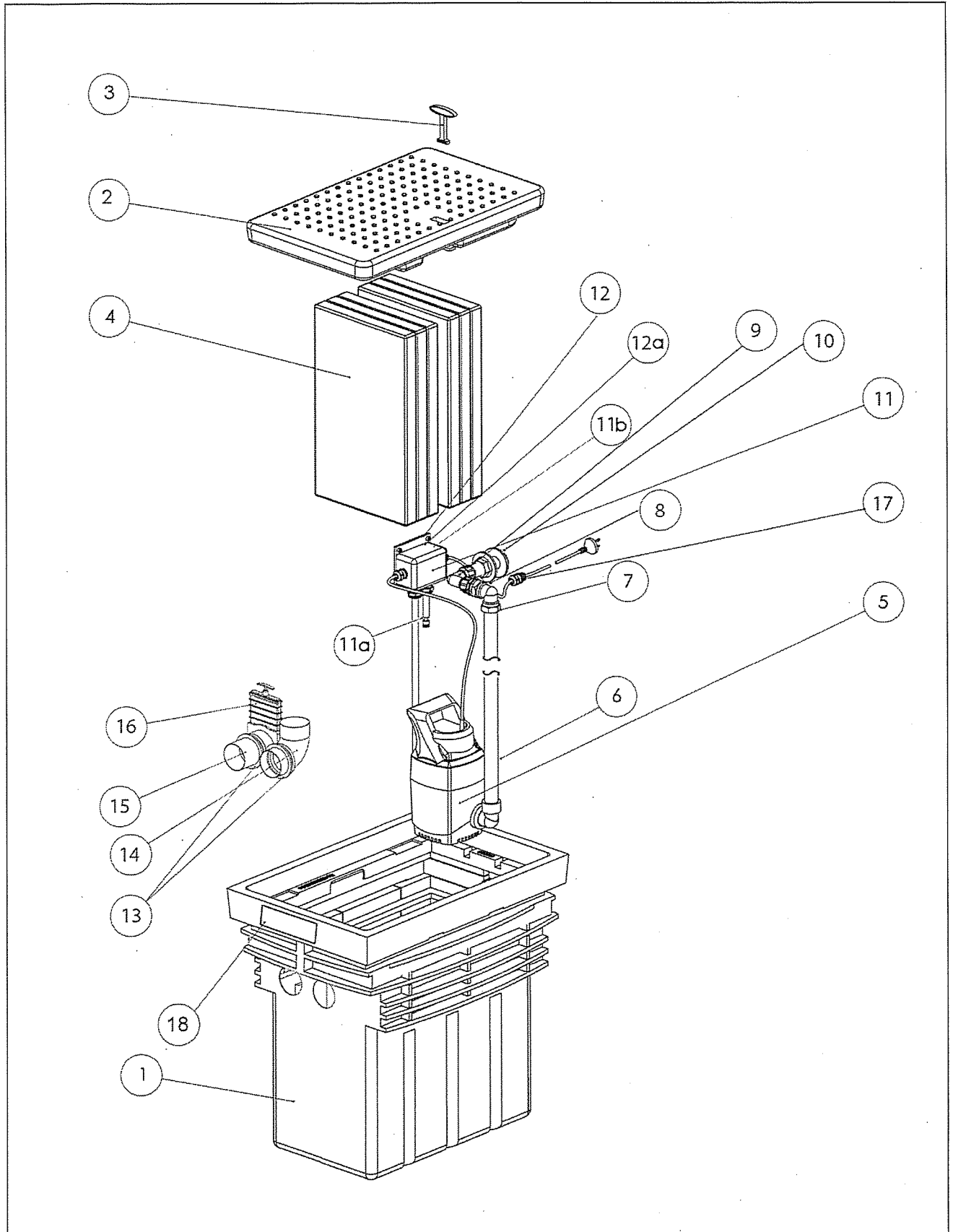
- A 60 litre capacity rectangular polyethylene pump well fitted with a lockable lid and containing a level detecting submersible pump;
- Six filter matts of increasing density inside the pump well to remove lint, hair and other impurities;
- A diverter valve fitted on the inlet waste pipe capable of being operated manually;
- An overflow pipe diverting greywater to the sewer;
- A connection to a sub-surface drip irrigation system.

Should you have any inquiries or seek to clarify the above please contact Mr Tony Bles on telephone (02) 9816 0360 or fax (02) 9816 0377, Wednesdays & Fridays.

Yours faithfully,



A.J. Bles
Senior Policy Analyst



DATE	SCHEMATIC DIAGRAM -	© Remains the property of Just Water Solutions Pty Ltd. May not be reproduced without written permission.
7/10/2011	Greywater Gator Pro	