



Health

# Certificate of Accreditation

## Sewage Management Facility

### Hybrid Toilet System

*This Certificate of Accreditation is issued by the Secretary of the NSW Ministry of Health pursuant to Clause 41(1) of the Local Government (General) Regulation 2005.*

**Manufacturer:** *Gough Industries Pty Ltd*

**Of:** *833 Ingham Road, Bohle Townsville, QLD, 4818*

*The Hybrid Toilet Systems as described in the following Schedule have been accredited as sewage management facilities for use in single domestic premises in NSW.*

*Director, Environmental Health  
for Secretary (delegation PH335)*

**Issued:** *5 February 2019*

**Certificate No:** *HTS001*

**Expires:** *31 December 2023*

## Accreditation Schedule

*The Certificate of Accreditation applies to the following  
Hybrid Toilet System*

### *Description of Hybrid toilet system:*

*The Hybrid toilet system is a non-flushing or micro-flushing displacement toilet. The system consists of a pedestal drop toilet where faeces and urine are deposited directly into a primary tank pre-filled with water. The primary tank acts as a septic tank where the solids remain in the tank and the effluent gravitates to the secondary tank. The liquid retention time in the primary tank varies between 45 - 128 days depending on the model installed. The primary tank retains sludge for approximately 4 - 7 years until pumped out.*

*The secondary tank is filled with media that further purifies the effluent before discharge to a gravel bed or absorption trench. The secondary tank contains baffles which facilitate upward and downward flow of the effluent causing it to come into contact with anaerobic and aerobic zones of the system. The liquid retention time in the secondary tank varies between 25 - 27 days depending on the model installed.*

*The capacities of the primary and secondary tanks in the domestic Hybrid toilet systems are:*

- |                     |  |
|---------------------|--|
| <i>6 EP system</i>  | <i>primary tank 1000 litres and secondary tank 160 litres<br/>(the secondary tank is fitted inside the primary tank)</i>       |
| <i>10 EP system</i> | <i>primary tank 1000 litres and secondary tank 600 litres<br/>(the secondary tank is located adjacent to the primary tank)</i> |

PATENT No. 729209

DO NOT SCALE

DIMENSIONS MAY VARY BY PLUS OR MINUS 2.5% DUE TO THE ROTATIONAL MOULDING PROCESS

APPROVED  
- 5 FEB 2019  
NSW MINISTRY OF HEALTH

\*THESE DIMENSIONS ARE THE MAXIMUM DEPTH OF TANKS ON A FLAT SITE.

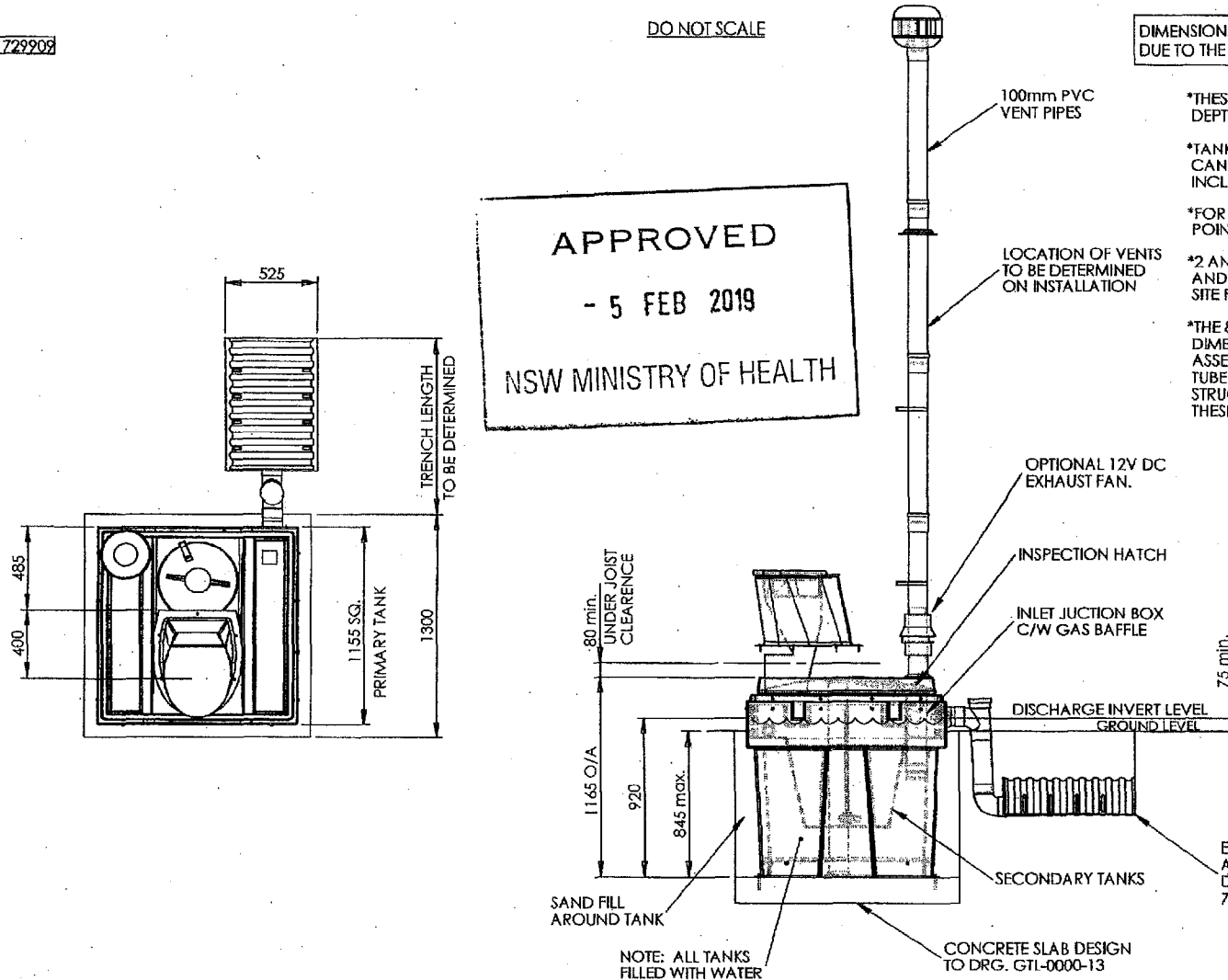
\*TANK LAYOUT IS INDICATIVE ONLY AND CAN BE ALTERED TO SUIT SITE CONDITIONS, INCLUDING ABOVE GROUND INSTALLATION.

\*FOR DETAILS OF LIFTING AND ANCHOR POINTS REFER TO STD. DRAWING GTL-0000-10.

\*2 ANCHOR POINTS REQUIRED ON TANK AND SHOULD BE MATCH MARKED ON SITE FOR INSTALLATION.

\*THE 80 MINIMUM UNDER JOIST CLEARANCE DIMENSION ALLOWS THE CORRECT ASSEMBLY OF THE PEDESTAL, DROPPER TUBE AND TANK. DESIGN OF FLOOR STRUCTURE NEEDS TO CONSIDER THESE DIMENSIONAL PARAMETERS.

DO NOT BURY TANKS BELOW DIMENSIONS SHOWN



No.	DATE	BY	DESCRIPTION	APPROV.
A	13.02.03	S.N.	FINISHED FLOOR HEIGHT DIMENSION CHANGED	ANDREW
				GOUGH
				APPROV.

**GP**  
GOUCH PLASTICS  
Custom Industrial Mouldings  
AUSTRALIA

Gough Industries Pty. Ltd.  
633 Ingham Road  
Bohle, Townsville  
P.O. Box 1256, Alfordville, Qld. 4814.  
Telephone 07 47747604  
Facsimile 07 47747608  
A.C.N. 010 028 547

This drawing remains the property of Gough Industries Pty. Ltd. It is subject to Gough Industries Pty. Ltd.'s recall and must not be reproduced in part or whole or it's contents divulged to third parties without prior written approval from Gough Industries Pty. Limited.

Signature	Date
S.NAGY	19.12.02
DRN. CRE	
ENGINEER	
ENG. CHK	
Eng. APPROVAL	

6 PERSON HYBRID TOILET SYSTEM  
NONFLUSH  
GENERAL ARRANGEMENT DETAILS

SCALE 1:35 A4 HTS901.0001-10

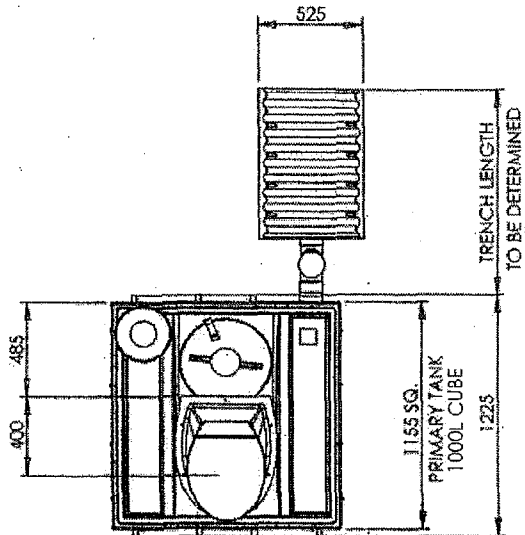
Gough Industries Pty. Ltd.  
CAD/FILE: H:\HLS\6 E.P.L.

PATENT No. 722909

DO NOT SCALE

DIMENSIONS MAY VARY BY PLUS OR MINUS 2.5% DUE TO THE ROTATIONAL MOULDING PROCESS

APPROVED  
- 5 FEB 2019  
NSW DEPARTMENT OF HEALTH



POWERED ROTARY VENTILATOR

100mm PVC VENT PIPES

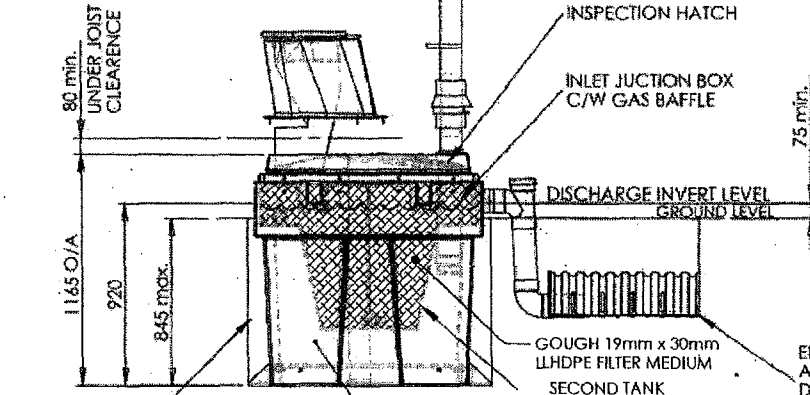
LOCATION OF VENTS TO BE DETERMINED ON INSTALLATION

\*THESE DIMENSIONS ARE THE MAXIMUM DEPTH OF TANKS ON A FLAT SITE.

\*TANK LAYOUT IS INDICATIVE ONLY AND CAN BE ALTERED TO SUIT SITE CONDITIONS, INCLUDING ABOVE GROUND INSTALLATION.

\*THE 80 MINIMUM UNDER JOIST CLEARANCE DIMENSION ALLOWS THE CORRECT ASSEMBLY OF THE PEDESTAL, DROPPER TUBE AND TANK. DESIGN OF FLOOR STRUCTURE NEEDS TO CONSIDER THESE DIMENSIONAL PARAMETERS.

DO NOT BURY TANKS BELOW DIMENSIONS SHOWN



SAND FILL AROUND TANK

NOTE: ALL TANKS FILLED WITH WATER

EFFLUENT DISPOSAL AREA AS PER: AS/NZS 1547:2000. DISCHARGE LOADING 7.2 LITRES PER DAY.

NO.	DATE	BY	DESCRIPTION	APPROV.
B	11.03.11	T.L.	REVISED AND REISSUED	ANDREW
A	13.02.03	S.N.	FINISHED FLOOR HEIGHT DIMENSION CHANGED	ANDREW



Gough Industries Pty. Ltd.  
833 Strathmore Road  
Banksia Townsville  
P.O. Box 1238, Atherton, Qld. 4814.  
Telephone 07 4774506  
Facsimile 07 4774508  
A.C.N. 012 022 547

This drawing remains the property of Gough Industries Pty. Ltd. It is subject to Gough Industries Pty. Ltd.'s terms and must not be reproduced in part or whole or its contents divulged to third parties without prior written approval from Gough Industries Pty. Limited.

DESIGN	SIGNATURE	DATE
DESIGNER		19.12.02
CHKD		
ENGR		
APPV		

6 PERSON HYBRID TOILET SYSTEM  
NONFLUSH, PLASTIC HOLD DOWNS  
GENERAL ARRANGEMENT DETAILS

SCALE 1:35

A4

HTS901.0001-12

B

DATE:

REVISIONS:

CONTROLLED DOCUMENT

NO

REVISED BY

PATENT No. 729909

DO NOT SCALE

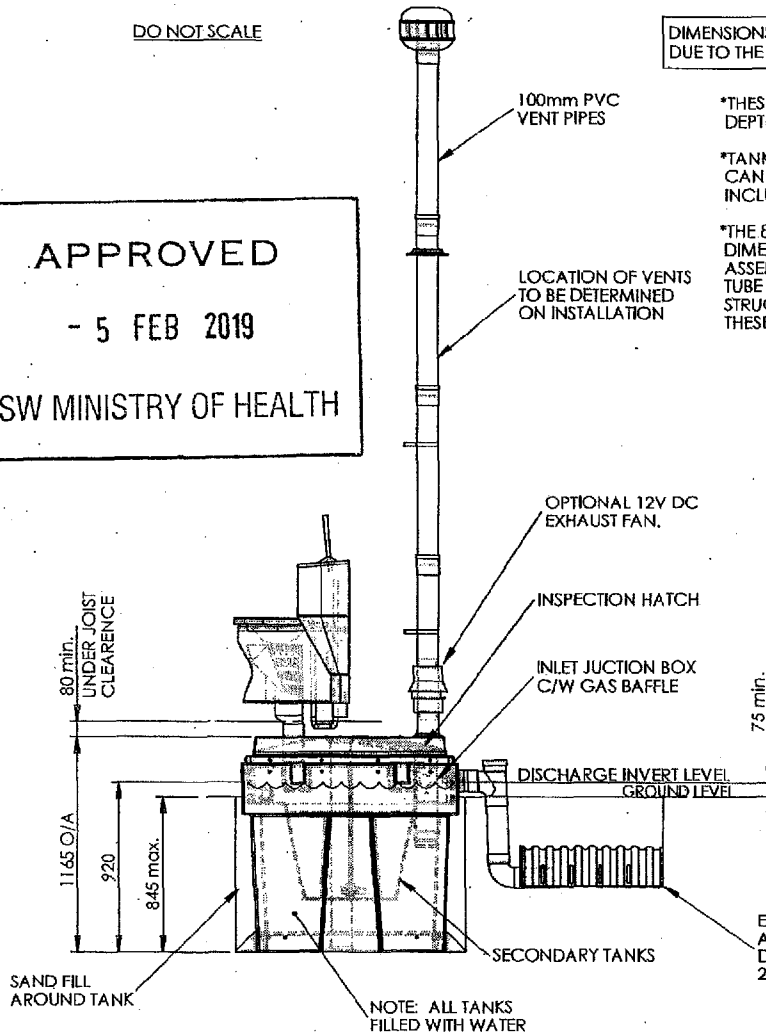
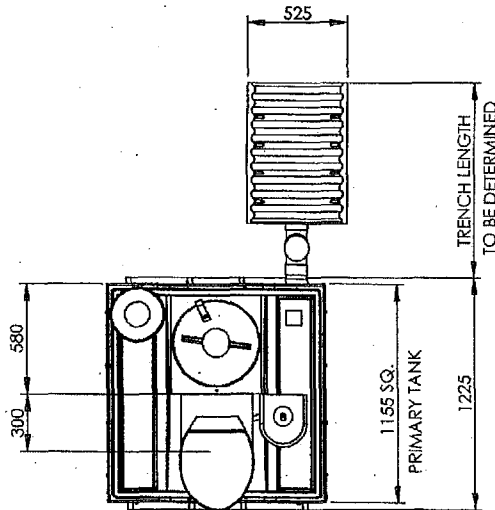
DIMENSIONS MAY VARY BY PLUS OR MINUS 2.5% DUE TO THE ROTATIONAL MOULDING PROCESS

\*THESE DIMENSIONS ARE THE MAXIMUM DEPTH OF TANKS ON A FLAT SITE.

\*TANK LAYOUT IS INDICATIVE ONLY AND CAN BE ALTERED TO SUIT SITE CONDITIONS, INCLUDING ABOVE GROUND INSTALLATION.

\*THE 80 MINIMUM UNDER JOIST CLEARANCE DIMENSION ALLOWS THE CORRECT ASSEMBLY OF THE PEDESTAL, DROPPER TUBE AND TANK. DESIGN OF FLOOR STRUCTURE NEEDS TO CONSIDER THESE DIMENSIONAL PARAMETERS.

**APPROVED**  
- 5 FEB 2019  
NSW MINISTRY OF HEALTH



DO NOT BURY TANKS BELOW DIMENSIONS SHOWN

EFFLUENT DISPOSAL AREA AS PER: AS/NZS 1547:2000. DISCHARGE LOADING 21 LITRES PER DAY.

NOTE: ALL TANKS FILLED WITH WATER

No.	DATE	BY	DESCRIPTION	APPROV.

**GP**  
GOUGH PLASTICS  
Custom Rotational Moulders  
AUSTRALIA

Gough Industries Pty. Ltd.  
833 Ingham Road  
Sahle, Townsville  
P.O. Box 1258, Allendale, Qld. 4814  
Telephone 07 47747604  
Facsimile 07 47747606  
A.C.N. 010 028 547

This drawing remains the property of Gough Industries Pty. Ltd. It is subject to Gough Industries Pty. Ltd.'s recall and must not be reproduced in part or whole or it's contents divulged to third parties without prior written approval from Gough Industries Pty Limited.

Signature	Date
S.NAGY	17.02.09

6 PERSON HYBRID TOILET SYSTEM  
MICROFLUSH, PLASTIC HOLD DOWNS  
GENERAL ARRANGEMENT DETAILS

SCALE 1:35 A4 HTS901.0001-13

CAD/REV: H.V.H.T.S.V.6 E.P.

PATENT No. 729909

DO NOT SCALE

DIMENSIONS MAY VARY BY PLUS OR MINUS 2.5% DUE TO THE ROTATIONAL MOULDING PROCESS

\*THESE DIMENSIONS ARE THE MAXIMUM DEPTH OF TANKS ON A FLAT SITE.

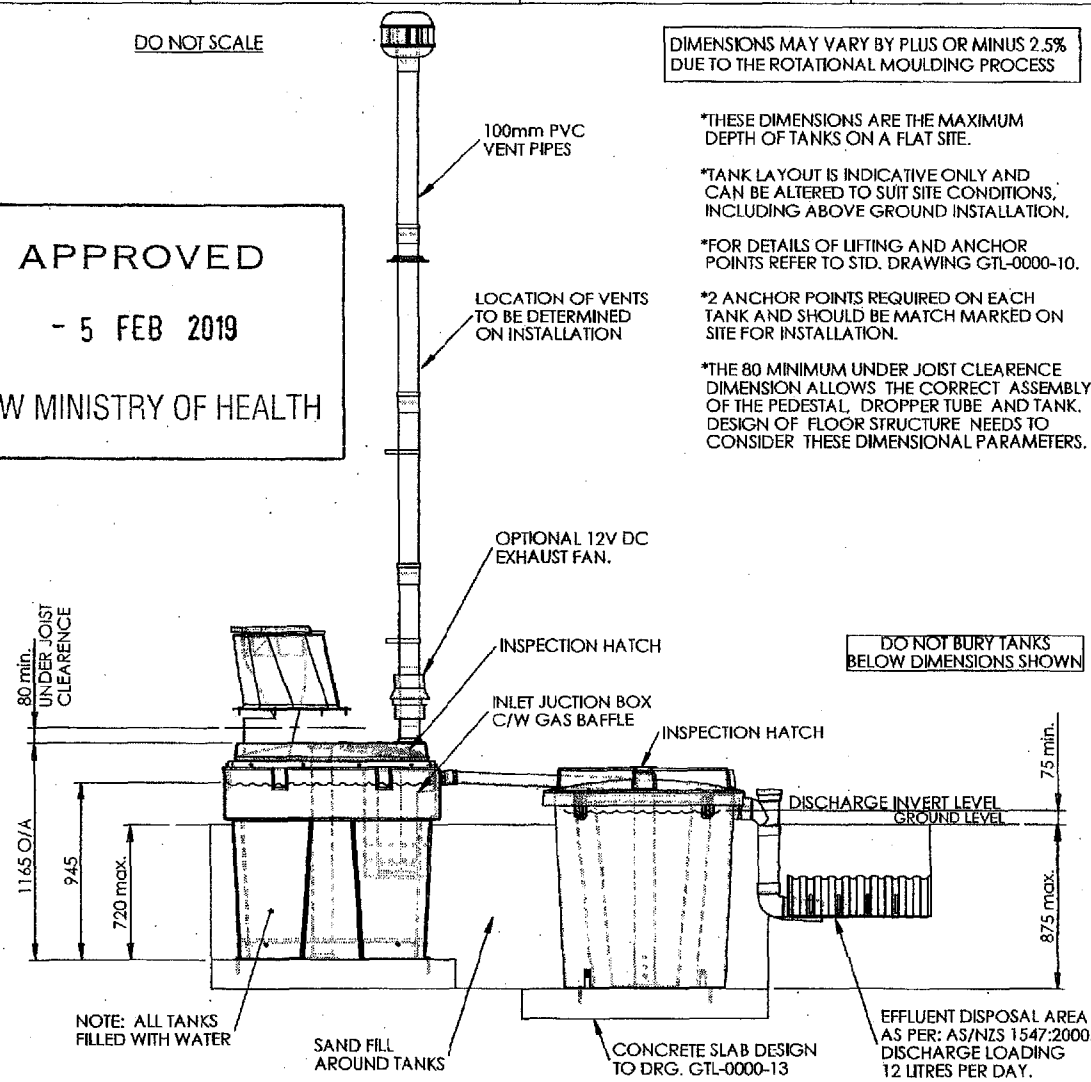
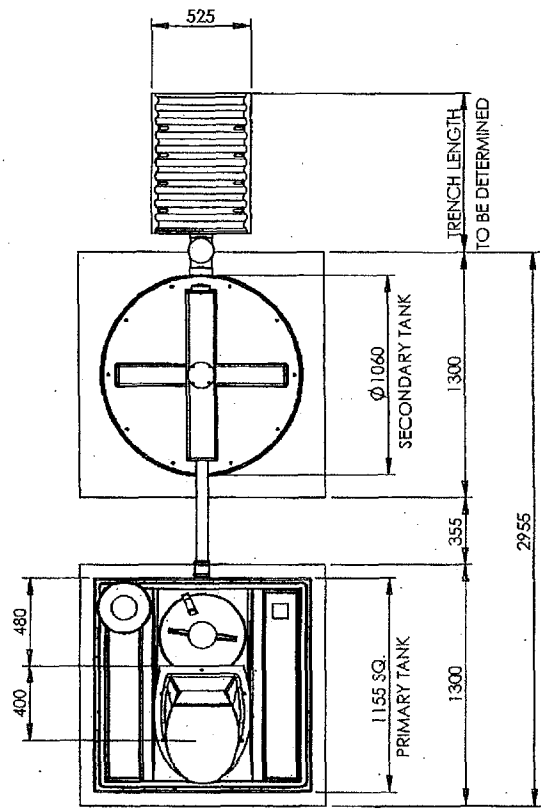
\*TANK LAYOUT IS INDICATIVE ONLY AND CAN BE ALTERED TO SUIT SITE CONDITIONS, INCLUDING ABOVE GROUND INSTALLATION.

\*FOR DETAILS OF LIFTING AND ANCHOR POINTS REFER TO STD. DRAWING GTL-0000-10.

\*2 ANCHOR POINTS REQUIRED ON EACH TANK AND SHOULD BE MATCH MARKED ON SITE FOR INSTALLATION.

\*THE 80 MINIMUM UNDER JOIST CLEARANCE DIMENSION ALLOWS THE CORRECT ASSEMBLY OF THE PEDESTAL, DROPPER TUBE AND TANK. DESIGN OF FLOOR STRUCTURE NEEDS TO CONSIDER THESE DIMENSIONAL PARAMETERS.

APPROVED  
- 5 FEB 2019  
NSW MINISTRY OF HEALTH



DO NOT BURY TANKS BELOW DIMENSIONS SHOWN

NOTE: ALL TANKS FILLED WITH WATER

SAND FILL AROUND TANKS

CONCRETE SLAB DESIGN TO DRG. GTL-0000-13

EFFLUENT DISPOSAL AREA AS PER: AS/NZS 1547:2000. DISCHARGE LOADING 12 LITRES PER DAY.

No.	DATE	BY	DESCRIPTION	APPROV.
A	14.02.03	S.N.	FINISHED FLOOR HEIGHT DIMENSION CHANGED	ANDREW GOUGH
REVISION				

**GP**  
Gough Industries Pty. Ltd.  
833 Higham Road  
Baha, Townsville  
P.O. Box 1258, Allendale, Qld. 4814.  
Telephone 07 47747604  
Facsimile 07 47747608  
A.C.N. 010 028 547

This drawing remains the property of Gough Industries Pty. Ltd. It is subject to Gough Industries Pty. Ltd.'s recall and must not be reproduced in part or whole or its contents divulged to third parties without prior written approval from Gough Industries Pty Limited.

Signature	Date
S. NAGY	19.12.02
DRN. CHK	
ENGR. CHK	
ENG. CHK	
Eng. APPROVAL	

**10 PERSON HYBRID TOILET SYSTEM  
NONFLUSH  
GENERAL ARRANGEMENT DETAILS**

SCALE: 1:35 A4 HTS900.0002-10

CADFILE: H:\HLS\VIDE.P

PATENT No. 729909

DO NOT SCALE

DIMENSIONS MAY VARY BY PLUS OR MINUS 2.5% DUE TO THE ROTATIONAL MOULDING PROCESS

POWERED ROTARY VENTILATOR

100mm PVC VENT PIPES

\*THESE DIMENSIONS ARE THE MAXIMUM DEPTH OF TANKS ON A FLAT SITE.

\*TANK LAYOUT IS INDICATIVE ONLY AND CAN BE ALTERED TO SUIT SITE CONDITIONS, INCLUDING ABOVE GROUND INSTALLATION.

\*FOR DETAILS OF LIFTING AND ANCHOR POINTS REFER TO STD. DRAWING GTL-0000-10.

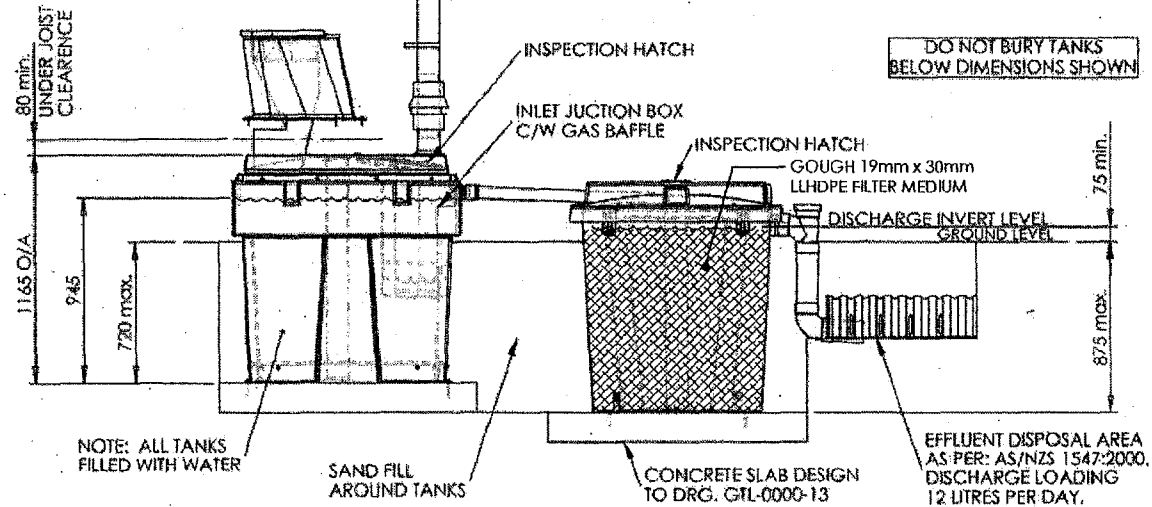
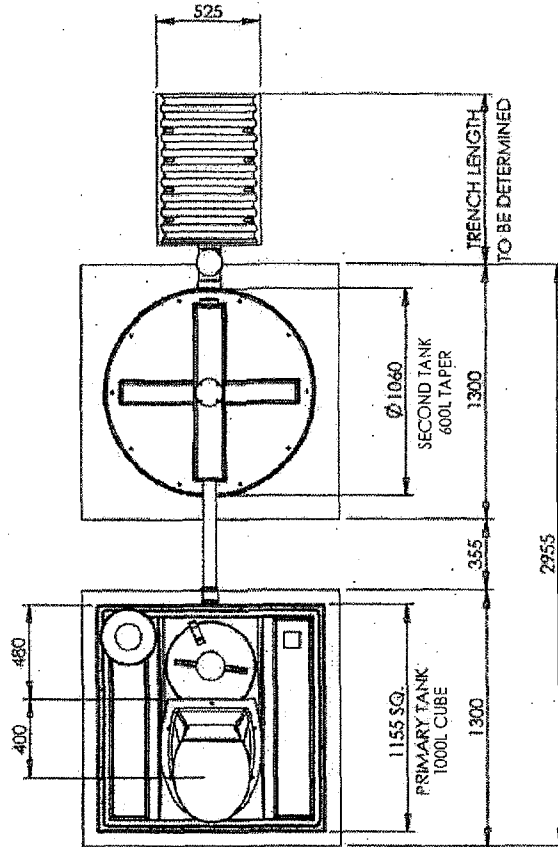
\*2 ANCHOR POINTS REQUIRED ON EACH TANK AND SHOULD BE MATCH MARKED ON SITE FOR INSTALLATION.

\*THE 80 MINIMUM UNDER JOIST CLEARANCE DIMENSION ALLOWS THE CORRECT ASSEMBLY OF THE PEDESTAL, DROPPER TUBE AND TANK. DESIGN OF FLOOR STRUCTURE NEEDS TO CONSIDER THESE DIMENSIONAL PARAMETERS.

APPROVED  
- 5 FEB 2019  
NSW MINISTRY OF HEALTH

LOCATION OF VENTS TO BE DETERMINED ON INSTALLATION

DO NOT BURY TANKS BELOW DIMENSIONS SHOWN



NOTE: ALL TANKS FILLED WITH WATER

SAND FILL AROUND TANKS

CONCRETE SLAB DESIGN TO DRG. GTL-0000-13

EFFLUENT DISPOSAL AREA AS PER: AS/NZS 1547:2000. DISCHARGE LOADING 12 LITRES PER DAY.

No.	DATE	BY	DESCRIPTION	APPROV.
B	11.03.11	T.L.	REVISED AND REISSUED	ANDREW
A	14.02.03	S.N.	FINISHED FLOOR HEIGHT DIMENSION CHANGED	ANDREW
				GOUGH
				APPROV.



Gough Industries Pty. Ltd.  
3038 Reservoir Road  
Stanhope, Tasmania  
P.O. Box 1225, Atholville, Qld. 4814.  
Telephone 07 47747436  
Facsimile 07 47747436  
A.C.N. 518 058 347

This drawing remains the property of Gough Industries Pty. Ltd. It is subject to Gough Industries Pty. Ltd.'s records and must not be reproduced in part or whole or its contents divulged to third parties without prior written approval from Gough Industries Pty. Limited.

Signature	Date
DESIGNER	19.12.02
DRAWN BY	
ENGINEER	
ERG. CHK.	
APP. APPROVAL	

10 PERSON HYBRID TOILET SYSTEM NONFLUSH GENERAL ARRANGEMENT DETAILS			
SCALE	1:35	A4	HTS900.0002-10
CAD FILE:			

PATENT NO. 729909

DO NOT SCALE

DIMENSIONS MAY VARY BY PLUS OR MINUS 2.5% DUE TO THE ROTATIONAL MOULDING PROCESS

\*THESE DIMENSIONS ARE THE MAXIMUM DEPTH OF TANKS ON A FLAT SITE.

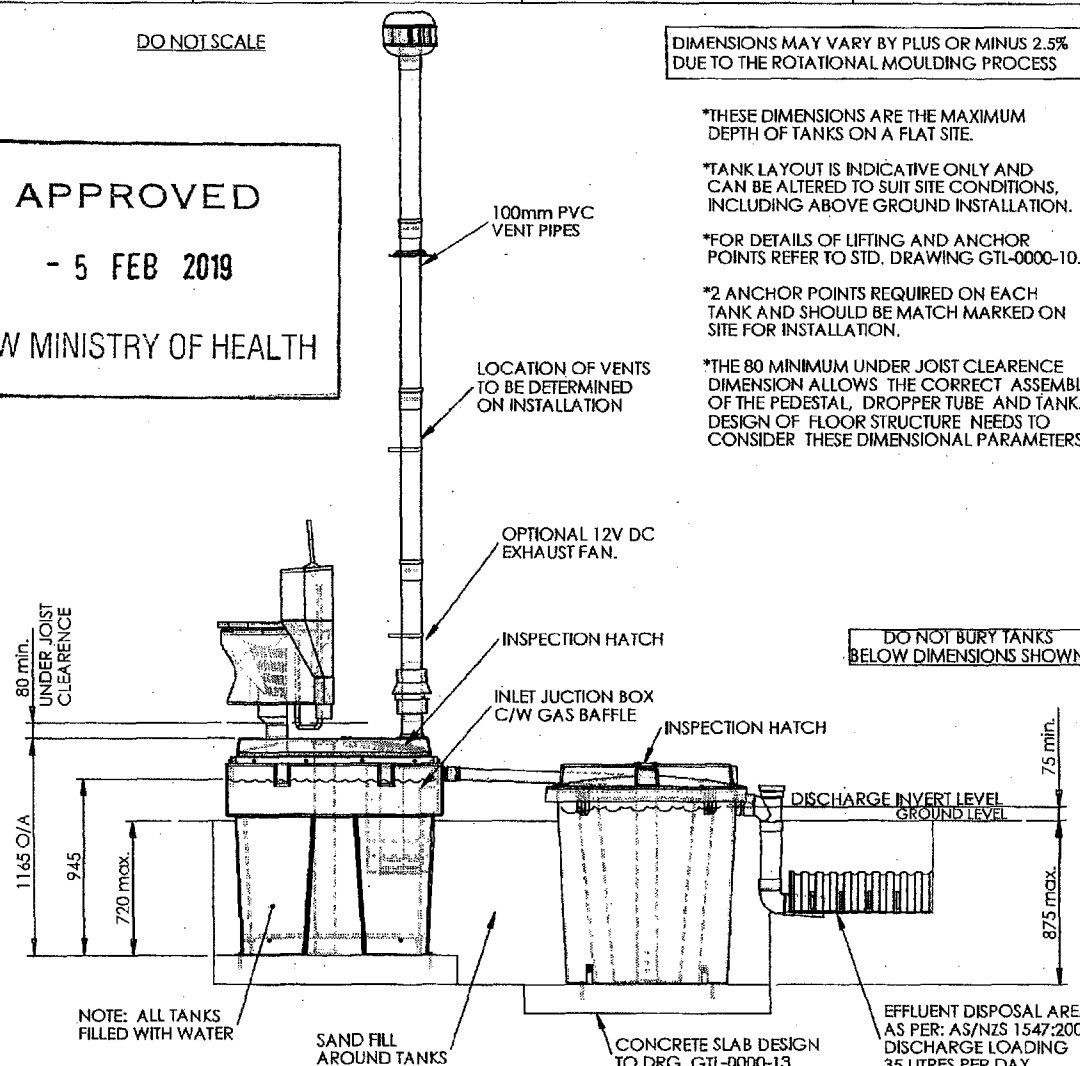
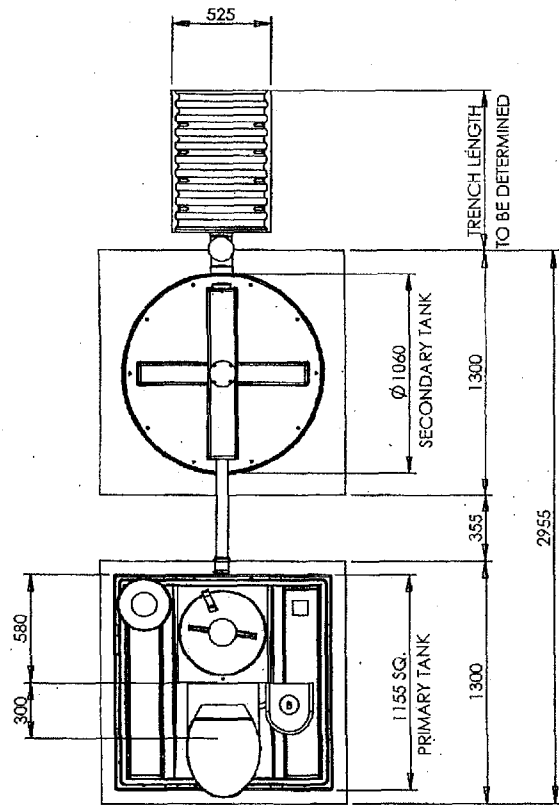
\*TANK LAYOUT IS INDICATIVE ONLY AND CAN BE ALTERED TO SUIT SITE CONDITIONS, INCLUDING ABOVE GROUND INSTALLATION.

\*FOR DETAILS OF LIFTING AND ANCHOR POINTS REFER TO STD. DRAWING GTL-0000-10.

\*2 ANCHOR POINTS REQUIRED ON EACH TANK AND SHOULD BE MATCH MARKED ON SITE FOR INSTALLATION.

\*THE 80 MINIMUM UNDER JOIST CLEARANCE DIMENSION ALLOWS THE CORRECT ASSEMBLY OF THE PEDESTAL, DROPPER TUBE AND TANK. DESIGN OF FLOOR STRUCTURE NEEDS TO CONSIDER THESE DIMENSIONAL PARAMETERS.

**APPROVED**  
- 5 FEB 2019  
NSW MINISTRY OF HEALTH



DO NOT BURY TANKS BELOW DIMENSIONS SHOWN

NOTE: ALL TANKS FILLED WITH WATER

SAND FILL AROUND TANKS

CONCRETE SLAB DESIGN TO DRG. GTL-0000-13

EFFLUENT DISPOSAL AREA AS PER: AS/NZS 1547:2000. DISCHARGE LOADING 35 LITRES PER DAY.

No.	DATE	BY	DESCRIPTION	GOUGH APPROV.

**GP**  
AUSTRALIA  
GOUGH PLASTICS  
Custom Rotational Moulders

Gough Industries Pty. Ltd.  
833 Ingham Road  
Bella, Townsville  
P.O. Box 1258, Alkenvale, Qld. 4814.  
Telephone 07 47747606  
Facsimile 07 47747608  
A.C.N. 010 028 547

This drawing remains the property of Gough Industries Pty. Ltd. It is subject to Gough Industries Pty. Ltd.'s recall and must not be reproduced in part or whole or its contents divulged to third parties without prior written approval from Gough Industries Pty Limited.

Signature	Date
S. NAGY	18.02.03

**10 PERSON HYBRID TOILET SYSTEM  
MICROFLUSH  
GENERAL ARRANGEMENT DETAILS**

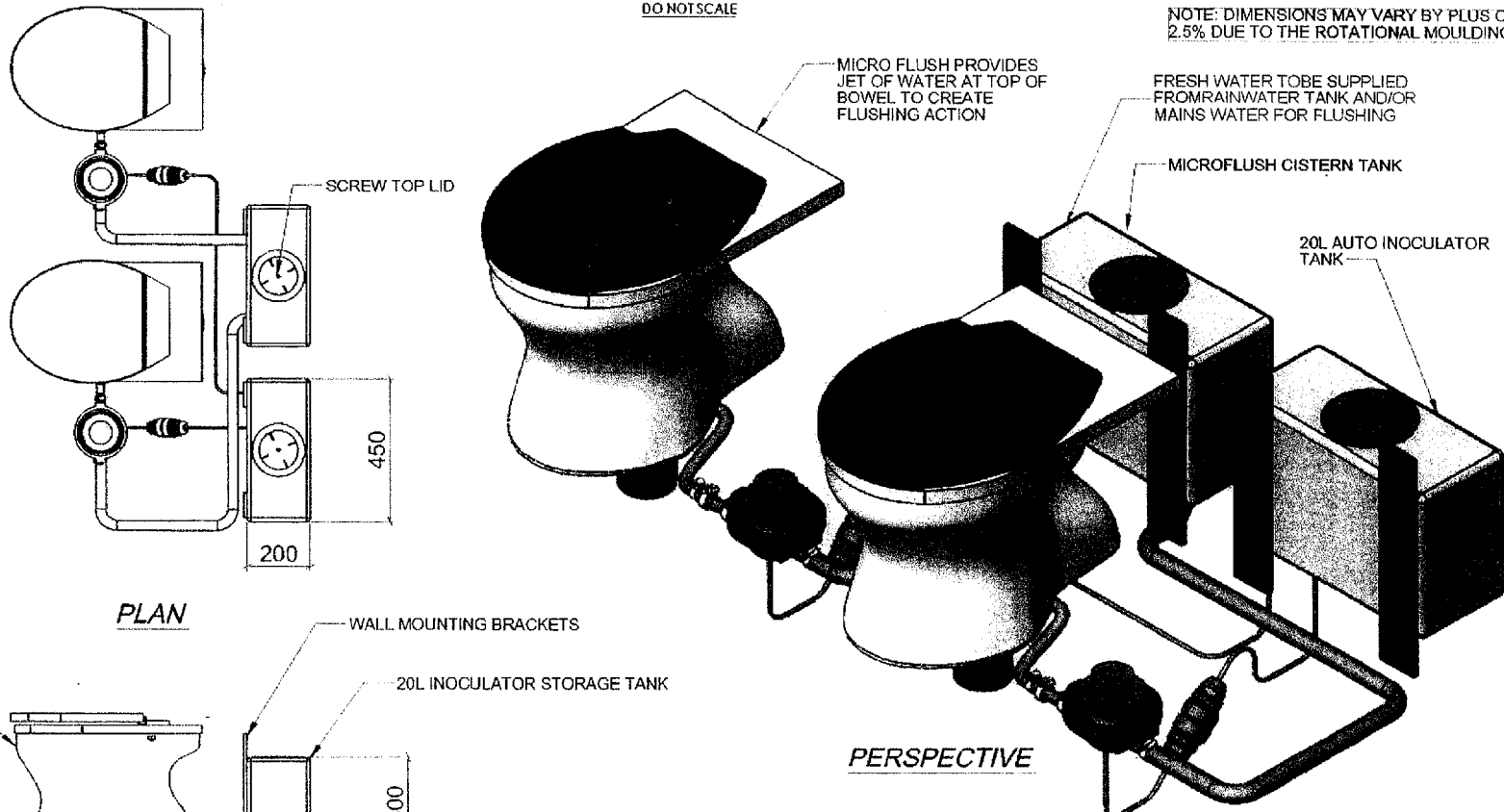
SCALE: 1:35 A4  
Gough Plastics Div. No. HTS900.0002-11

DATE: \_\_\_\_\_  
REVISED BY: \_\_\_\_\_



DO NOT SCALE

NOTE: DIMENSIONS MAY VARY BY PLUS OR MINUS 2.5% DUE TO THE ROTATIONAL MOULDING PROCESS



PERSPECTIVE

PLAN

DIRECTION OF FLOW

SIDE ELEVATION

MICROFLUSH SYSTEM ALSO AVAILABLE WITH HAND PUMP

APPROVED

- 5 FEB 2019

NSW MINISTRY OF HEALTH

A	27.04.10	DH	FIRST ISSUE	
No.	DATE	BY	DESCRIPTION	GOUGH APPROV.
			REVISION	



Gough Industries Pty. Ltd.  
833 Ingham Road  
Bella Glanville  
P.O. Box 7570, Gortabb BC Qld. 4814  
Telephone 07 47741906  
Facsimile 07 47741606  
A.C.N. 010 028 547

This drawing remains the property of Gough Industries Pty. Ltd. It is subject to Gough Industries Pty. Ltd.'s recall and must not be reproduced in part or whole or its contents divulged to third parties without prior written approval from Gough Industries Pty. Limited.

DRAWN	DATE	ENGINEER	APPROVAL
DEN, LHR	27.04.10	M. COCKREY	
ENG. CHK			
CONTROLLED DOCUMENT	NO		

TYPICAL MICROFLUSH SET UP

SCALE	A3	Gough Plastics Pty. Ltd. HTS-MICROF-001	A
Gough Products Environmental Hybrid Toilet System (Drawings & Components) Auto Inoculation Pedestal			