



Certificate of Accreditation

Sewage Management Facility

Sewage Ejection Pump Station


This Certificate of Accreditation is issued by the Secretary of the NSW Ministry of Health pursuant to Clause 41(1) of the Local Government (General) Regulation 2005.

System: 620, 900, 1100 and 1500 Litre SEPS

Manufacturer: Aquatec Fluid Systems Pty Ltd

Of: 2 Provincial Crescent, Shepparton, VIC, 3130

The Aquatec series as described in the attached Schedule have been accredited as a sewage management facility for use in single domestic premises in NSW. The pump well is manufactured to the Australian / New Zealand Standard AS/NZS 1546.1:2008 On-site domestic wastewater treatment units - septic tanks.



*A/Director, Environmental Health
for Secretary (delegation PH335)*

Issued: 10/11/2021

Certificate No: SEPS002

Expires: 31 December 2026

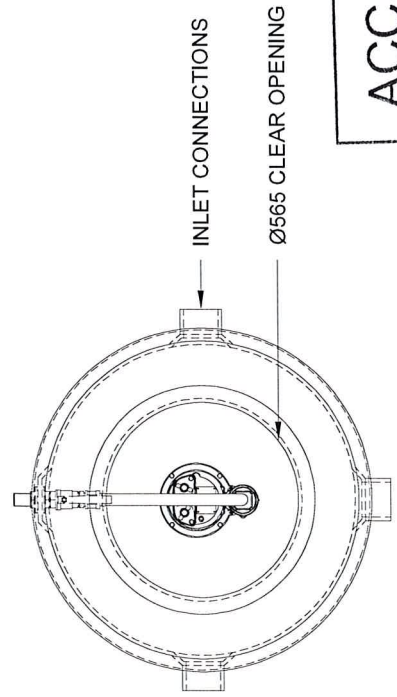


Accreditation Schedule

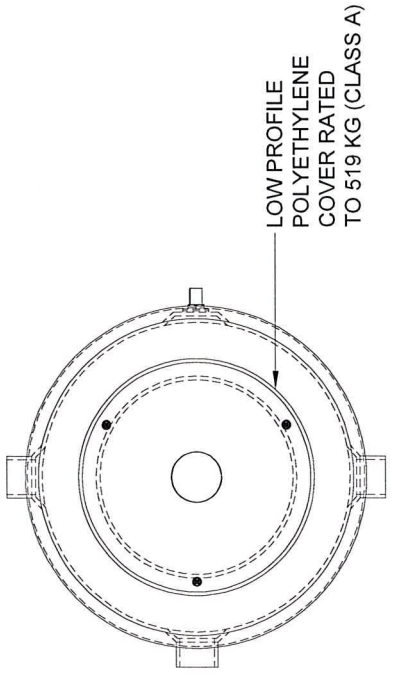
The Certificate of Accreditation applies to the Aquatec sewage ejection pump station in four (4) models in accordance with the attached plans in the capacities of 620, 900, 1100 and 1500 litres

The Aquatec sewage ejection pump station consists of:

- A cylindrical roto moulded polyethylene pump well and lid, manufactured by Polymaster Pty Ltd, Swan Hill, Victoria;*
- A Barnes Omni Grind Turbine (OGT) turbine grinder pump fitted with start, stop and high-level switches in a Simplex, Duplex or Enviroplex combination; or*
- A Barnes grinder pump or an Ommi Grind Plus (OGP) 2-stage centrifugal grinder pump fitted with start, stop and high-level switches in a Simplex, Duplex or Enviroplex combination or connected to the control panel with separate level controls; and*
- A flexible PVC discharge hose or polyethylene discharge pipe fitted to a combination anti-syphon/check valve and shut-off valve on the outlet of the grinder pump. The discharge pipe is connected to a 40 mm diameter house pressure main to the sewer through a boundary connection box located just inside the property; and*
- A control panel with an audible and visible alarm.*

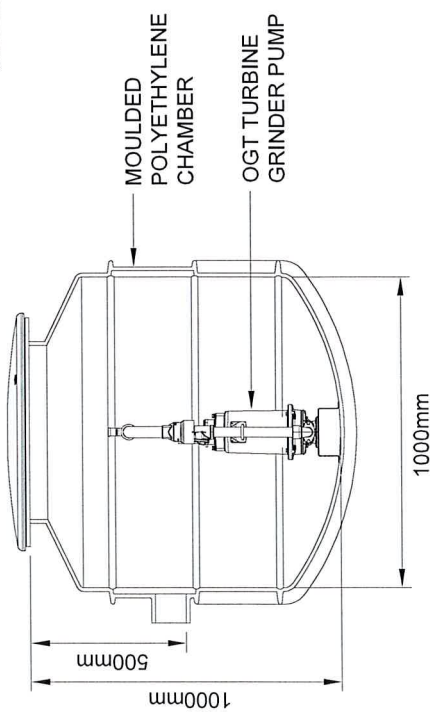


PLAN VIEW - LID REMOVED

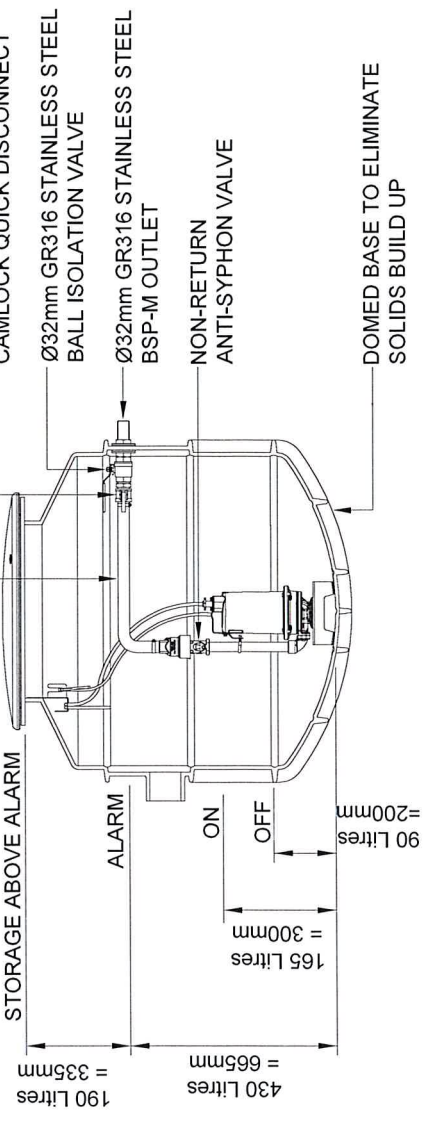


PLAN VIEW

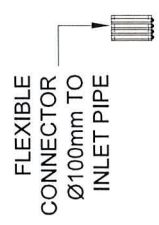
ACCREDITED
 10 NOV 2021
 NSW MINISTRY OF HEALTH



SECTIONAL SIDE ELEVATION



SECTIONAL ELEVATION



Please Note - Any theory or artistic works contained in this document are copyright Aquatic Environmental Group Pty Ltd. All rights reserved. Reproduction of this document or part of it, or disclosure of the information contained in it, is not permitted without the written consent of Aquatic.

Aquatic Fluid Systems Pty Ltd / ABN - 44 114 844 048
 27 Ironwood Crescent, Shepparton VIC 3630
 Australia
 Phone: 03 5332 1000
 Fax: 03 5332 1001
 Email: sales@aquaticfluid.com.au
 Website: www.aquaticfluid.com.au

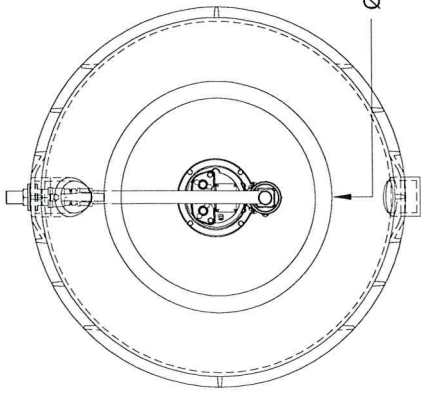


Designed	AGT
Drawn	JS
Approved	JS
Scale	NTS
Revision	B
File Location / Name	

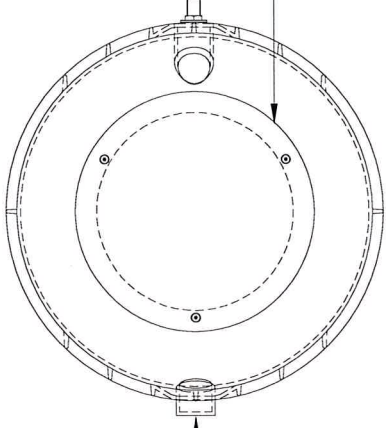
Drawing No.	PE.S.OCT.620L.FS
Revision	B
Scale	NTS
File Location / Name	

Product Name	PRESSURE SEWER PUMP UNIT
Model	SIMPLEX OGT 620L
Configuration	FREE STANDING MODEL

Rev	1	Issue	1
Rev	2	Issue	1
Rev	3	Issue	1
Rev	4	Issue	1
Rev	5	Issue	1
Rev	6	Issue	1
Rev	7	Issue	1
Rev	8	Issue	1
Rev	9	Issue	1
Rev	10	Issue	1
Rev	11	Issue	1
Rev	12	Issue	1
Rev	13	Issue	1
Rev	14	Issue	1
Rev	15	Issue	1
Rev	16	Issue	1
Rev	17	Issue	1
Rev	18	Issue	1
Rev	19	Issue	1
Rev	20	Issue	1
Rev	21	Issue	1
Rev	22	Issue	1
Rev	23	Issue	1
Rev	24	Issue	1
Rev	25	Issue	1
Rev	26	Issue	1
Rev	27	Issue	1
Rev	28	Issue	1
Rev	29	Issue	1
Rev	30	Issue	1
Rev	31	Issue	1
Rev	32	Issue	1
Rev	33	Issue	1
Rev	34	Issue	1
Rev	35	Issue	1
Rev	36	Issue	1
Rev	37	Issue	1
Rev	38	Issue	1
Rev	39	Issue	1
Rev	40	Issue	1
Rev	41	Issue	1
Rev	42	Issue	1
Rev	43	Issue	1
Rev	44	Issue	1
Rev	45	Issue	1
Rev	46	Issue	1
Rev	47	Issue	1
Rev	48	Issue	1
Rev	49	Issue	1
Rev	50	Issue	1
Rev	51	Issue	1
Rev	52	Issue	1
Rev	53	Issue	1
Rev	54	Issue	1
Rev	55	Issue	1
Rev	56	Issue	1
Rev	57	Issue	1
Rev	58	Issue	1
Rev	59	Issue	1
Rev	60	Issue	1
Rev	61	Issue	1
Rev	62	Issue	1
Rev	63	Issue	1
Rev	64	Issue	1
Rev	65	Issue	1
Rev	66	Issue	1
Rev	67	Issue	1
Rev	68	Issue	1
Rev	69	Issue	1
Rev	70	Issue	1
Rev	71	Issue	1
Rev	72	Issue	1
Rev	73	Issue	1
Rev	74	Issue	1
Rev	75	Issue	1
Rev	76	Issue	1
Rev	77	Issue	1
Rev	78	Issue	1
Rev	79	Issue	1
Rev	80	Issue	1
Rev	81	Issue	1
Rev	82	Issue	1
Rev	83	Issue	1
Rev	84	Issue	1
Rev	85	Issue	1
Rev	86	Issue	1
Rev	87	Issue	1
Rev	88	Issue	1
Rev	89	Issue	1
Rev	90	Issue	1
Rev	91	Issue	1
Rev	92	Issue	1
Rev	93	Issue	1
Rev	94	Issue	1
Rev	95	Issue	1
Rev	96	Issue	1
Rev	97	Issue	1
Rev	98	Issue	1
Rev	99	Issue	1
Rev	100	Issue	1

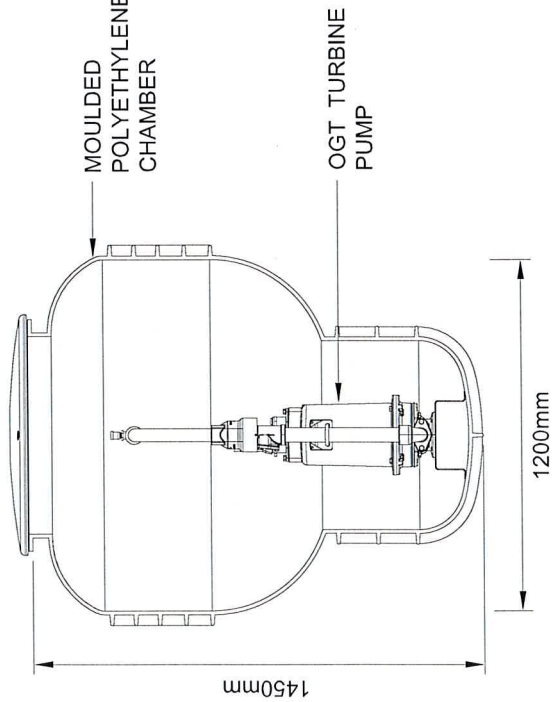


PLAN VIEW - LID REMOVED

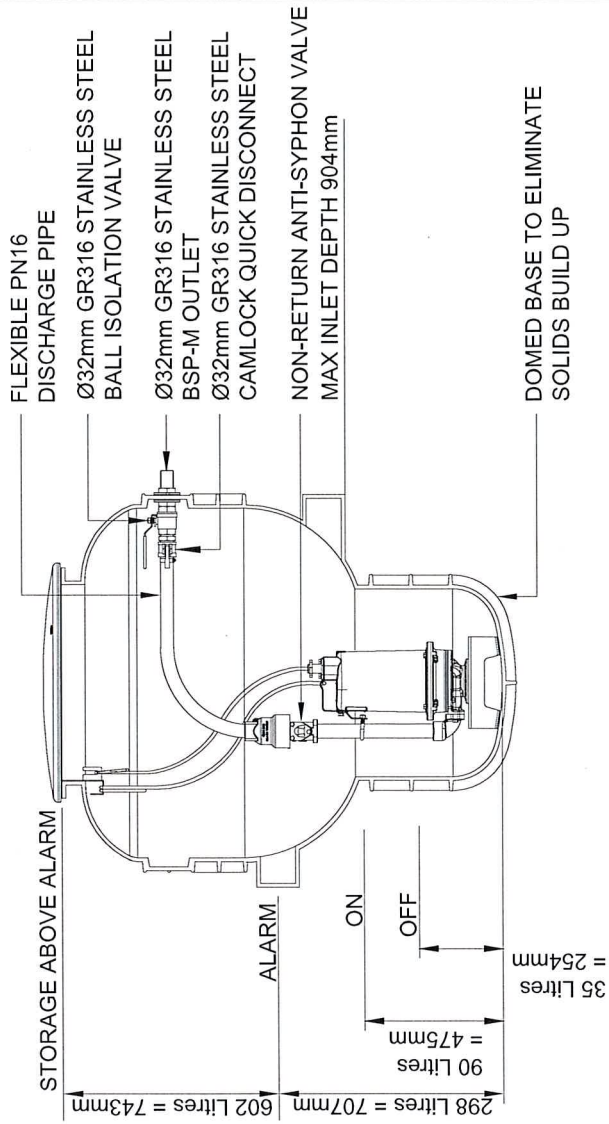


PLAN VIEW

ACCREDITED
 10 NOV 2021
 NSW MINISTRY OF HEALTH



SECTIONAL SIDE ELEVATION



SECTIONAL ELEVATION

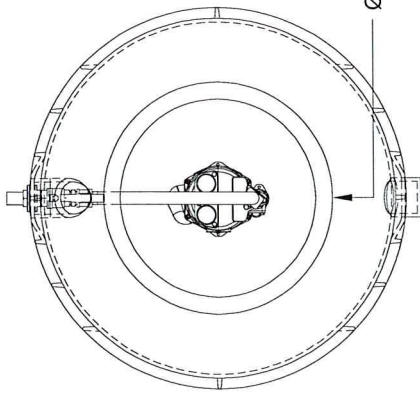
Please Note: This document is the property of Aquatec Pty Ltd. It is to be used for the specific project only. It is not to be distributed, copied, or otherwise used without the written consent of Aquatec Pty Ltd. Any information in this document, except information also available in publicly available sources, is confidential to Aquatec Pty Ltd. All rights reserved. The information contained in this document is the property of Aquatec Pty Ltd.

Aquatec Fluid Systems PTY LTD / ABN: 94 114 84 028
 2 Provalley Crescent, Shepparton VIC 3630
 T: 1300 088 585 / E: info@aquatecfluids.com.au
 © Copyright - This drawing and design may not be copied or used in any way without the written consent of Aquatec Pty Ltd.

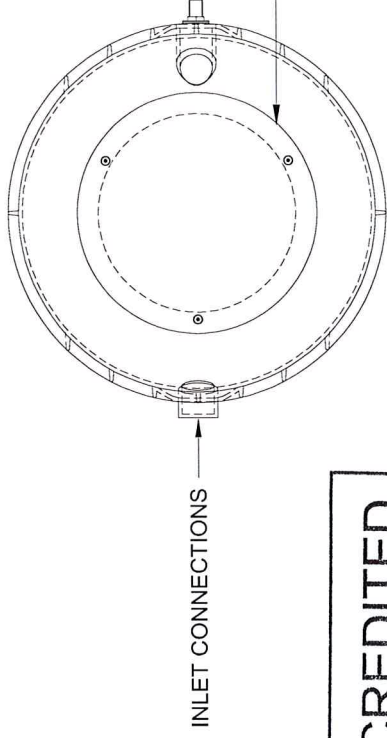


Designed	AGT	Pressure Sewer Pump Unit
Drawn	IS	ENVIROPLEX OGT 900L
Approved	IS	FREE STANDING MODEL
Scale	N/A	Revision
		A
		File Location/Name
		PEE0073001-SS
		Drawing No.

REV	AMENDMENT	DATE
A	GENERAL REVISION	

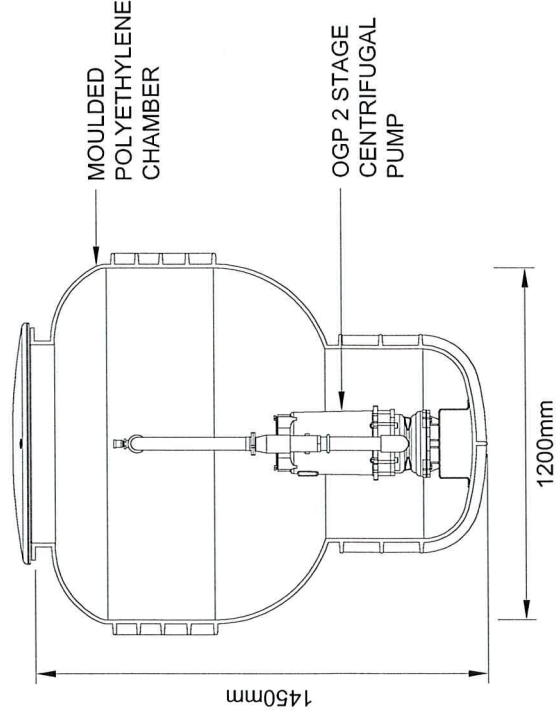


PLAN VIEW - LID REMOVED

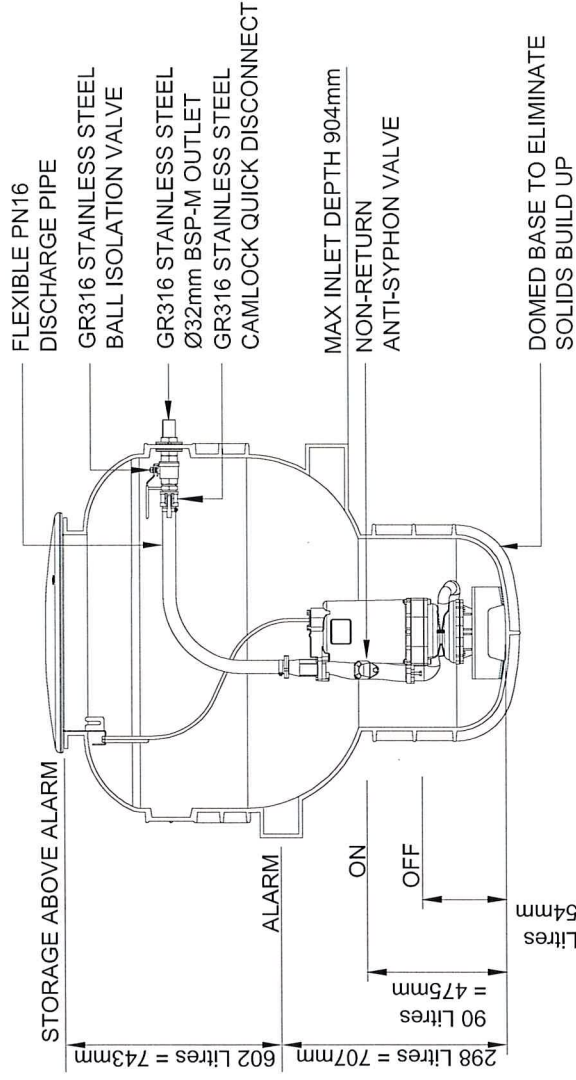


PLAN VIEW

ACCREDITED
 10 NOV 2021
 NSW MINISTRY OF HEALTH



SECTIONAL SIDE ELEVATION



SECTIONAL ELEVATION

Please Note:
 Any letters or marks were contained in this document are copyright Aquatec Environmental Group Pty Ltd (Aquatec Fluid Systems). Any information in this document, including drawings, is the property of Aquatec Environmental Group Pty Ltd. Its use or reproduction without the written consent of Aquatec is prohibited.

Aquatec Fluid Systems PTY LTD / ABN 94 114 84 032
 2 Princes Street, Shepparton VIC 3600
 T 1300 088 555 / E info@aquatec.com.au
 Aquatec Fluid Systems Pty Ltd is a member of Aquatec Environmental Group Pty Ltd



DESIGNED - ADT
 DRAWN - KWI
 APPROVED - JS

Scale - NTS @ A1

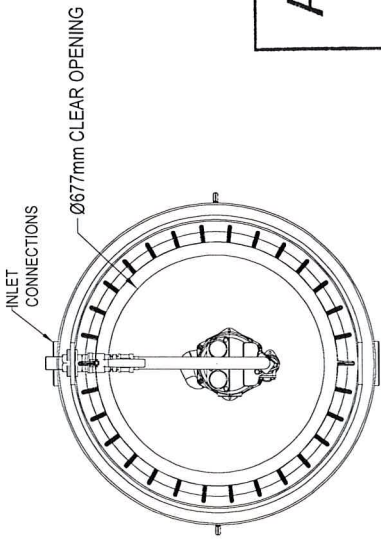
Drawings No. PE-EO-900LFS

Revision A

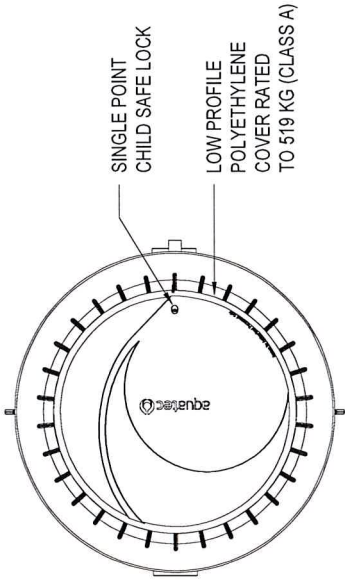
File Location / Name ENVROPLEX OGP 900L FREE STANDING MODEL

PROJECT: PRESSURE SEWER PUMP UNIT

REV / AMENDMENT	DATE	APP
A	18/02/14	JS



PLAN VIEW (LID REMOVED)

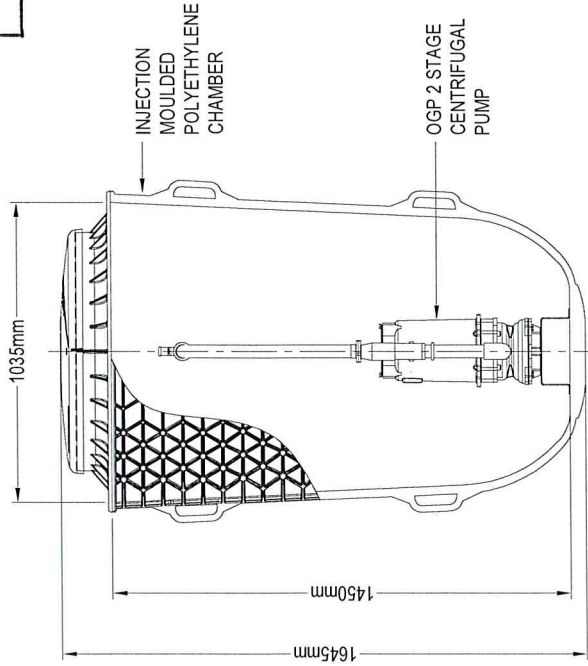


PLAN VIEW

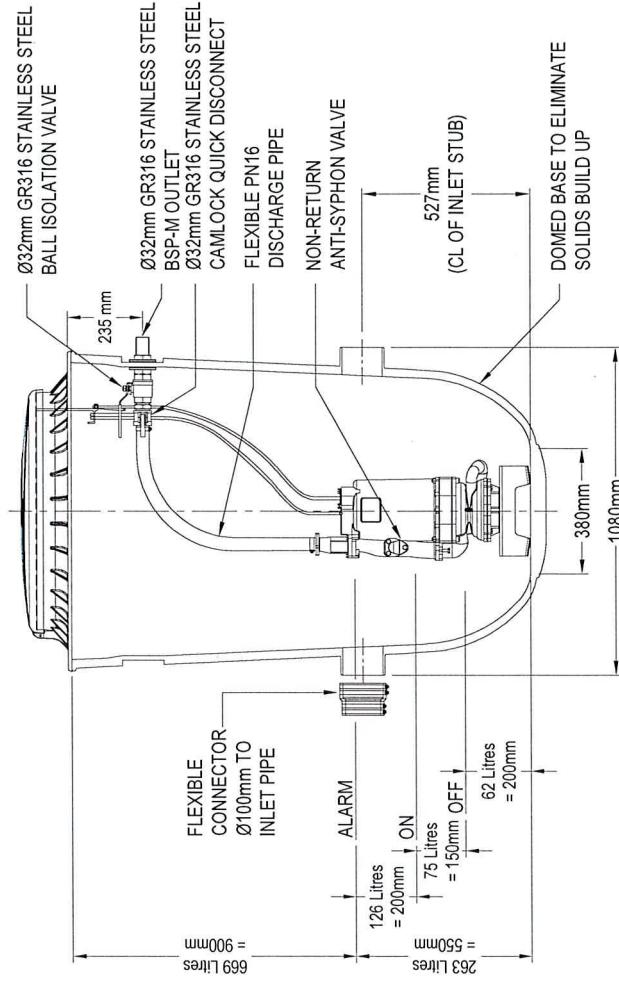
ACCREDITED

10 NOV 2021

NSW MINISTRY OF HEALTH



SECTIONAL SIDE ELEVATION



SECTIONAL ELEVATION

***ALL LEVELS ARE RECOMMENDED FACTORY SETPOINTS WHICH CAN BE ADJUSTED TO SUIT SPECIFIC REQUIREMENTS

REV	AMENDMENT	BY	APP	DATE
A	ISSUED FOR INFORMATION			

Please Note: The data, which is contained in this document are copyright Aquatic Environmental Group Pty Ltd (AEG) 1172-352-423 (Aquatic Fluid Systems). Any information in this document, including drawings, is the property of Aquatic Environmental Group Pty Ltd and its use is restricted to the project for which it was prepared. No part of this document may be reproduced or transmitted in any form or by any means, electronic, mechanical, photocopying, recording, or by any information storage and retrieval system, without the written consent of Aquatic.

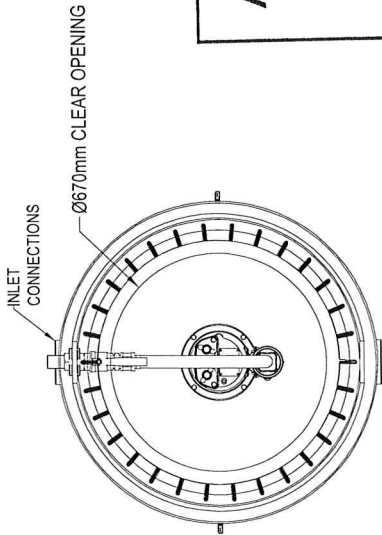
Aquatic Fluid Systems PTY LTD / ABN - 34 114 544 028
 2 Phynical Circuit, Shepparton VIC 3602
 T: 1300 088 555 / E: info@aquaticfluid.com.au
 © Copyright 2019 Aquatic Fluid Systems Pty Ltd. All rights reserved.



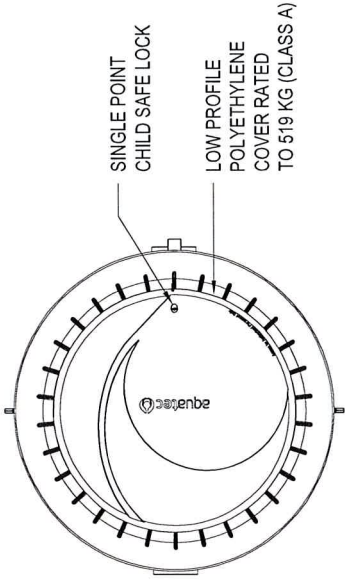
Designer: ACT
 Checker: BS
 Approved: JH
 Scale: N.T.S. @ A1

Pressure Sewer Pump Unit
 ENDURAPLEX OGP 950L
 FREE STANDING UNIT
 PLANS & SECTIONS

Drawn No: P.E.S.OGP.950.FS
 Revision: A
 File Location Name: ACT

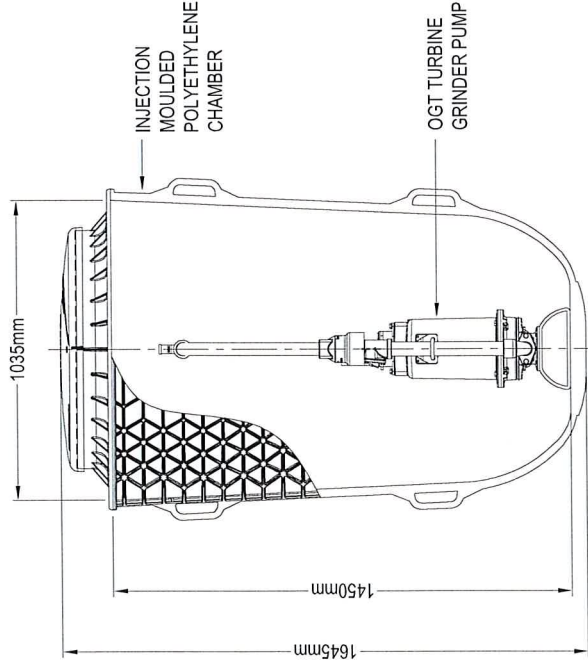


PLAN VIEW (LID REMOVED)

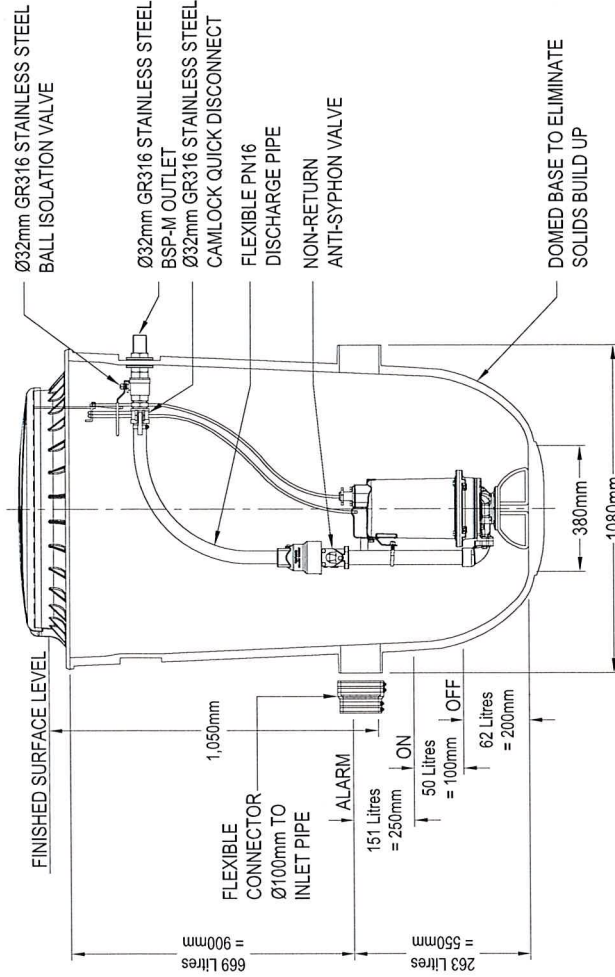


PLAN VIEW

ACCREDITED
10 NOV 2021
NSW MINISTRY OF HEALTH



SECTIONAL SIDE ELEVATION



SECTIONAL ELEVATION

***ALL LEVELS ARE RECOMMENDED FACTORY SETPOINTS WHICH CAN BE ADJUSTED TO SUIT SPECIFIC REQUIREMENTS

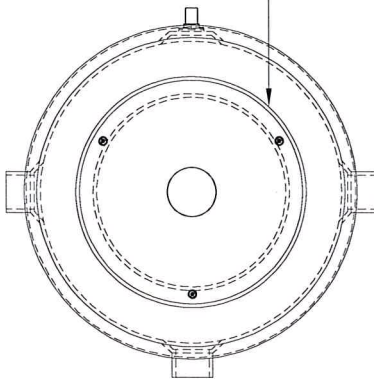
REV	REVISION	BY	APP	DATE
D	MINOR AMENDMENTS	NTP		11/09/19
C	MINOR AMENDMENTS	JSD		08/09/17
B	TANK VOLUMES ADDED	JSD		25/07/17
A	ISSUED FOR INFORMATION			

Please Note - This document is the property of Aquatec Fluid Systems Pty Ltd. It is to be used for the specific project only. Any information in this document, except information also available in published available sources, is confidential to Aquatec. It is to be returned to Aquatec Fluid Systems Pty Ltd upon completion of the project and not to be used for any other purpose without the written consent of Aquatec.

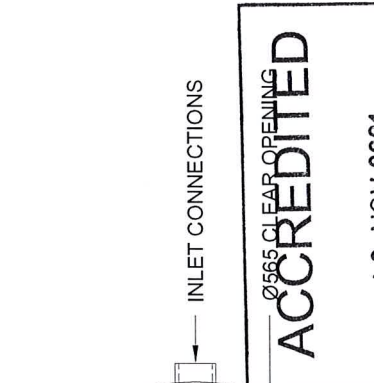
Aquatec Fluid Systems Pty Ltd / ABN: 54 114 244 026
2 Frenchs Road, Shepparton VIC 3630
T: 1300 988 525 / E: info@aquatec.com.au
© Copyright - This drawing may not be used or reproduced in any form without the written consent of Aquatec Fluid Systems Pty Ltd.



Designed: ACT
Checked: JS
Approved: BS
Scale: N.T.S. @ A1
Drawing No: P.E.S.001.60P.S
Revision: D
File Location / Name: PRESSURE SEWER PUMP UNIT
ENDURAPLEX OGT 950L
FREE STANDING UNIT
PLAN & SECTIONS



PLAN VIEW - LID REMOVED



PLAN VIEW

INLET CONNECTIONS

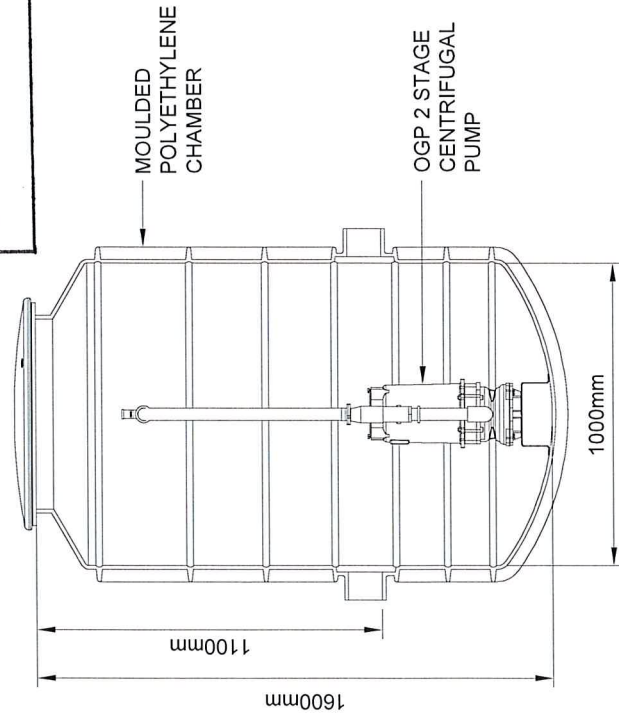
Ø565 CLEAR OPENING

ACCREDITED

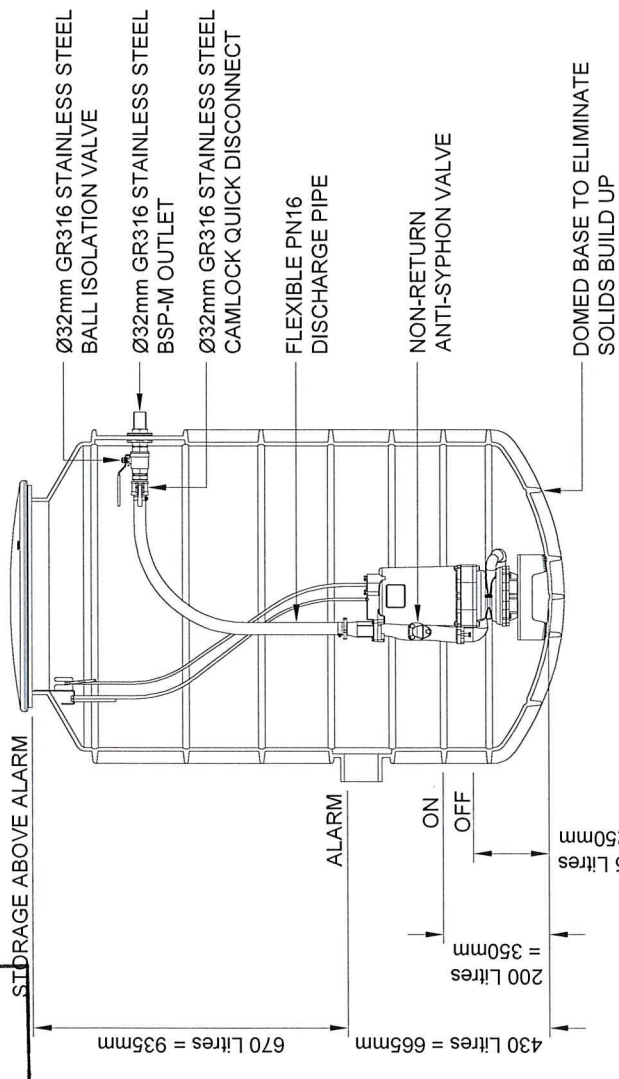
10 NOV 2021

NSW MINISTRY OF HEALTH

LOW PROFILE POLYETHYLENE COVER RATED TO 519 KG (CLASS A)



SECTIONAL SIDE ELEVATION



SECTIONAL ELEVATION

FLEXIBLE CONNECTOR Ø100mm TO INLET PIPE

Ø32mm GR316 STAINLESS STEEL BALL ISOLATION VALVE

Ø32mm GR316 STAINLESS STEEL BSP-M OUTLET

Ø32mm GR316 STAINLESS STEEL CAMLOCK QUICK DISCONNECT

FLEXIBLE PN16 DISCHARGE PIPE

NON-RETURN ANTI-SYPHON VALVE

DOMED BASE TO ELIMINATE SOLIDS BUILD UP

STORAGE ABOVE ALARM

430 Litres = 665mm

200 Litres = 350mm

125 Litres = 250mm

670 Litres = 935mm

ALARM

ON

OFF

REV	DATE	BY	CHKD
C	2020-03	MNH	
B	2021-11-14	JS	
A	2020-11-14	JS	

Please Note
Any theory or artistic works contained in this document are copyright Aquatec Environmental Group Pty Ltd. All rights reserved. Any reproduction or distribution of this document without the written consent of Aquatec Environmental Group Pty Ltd is prohibited. Reproduction of this document or part of it, or disclosure of the information contained in it, is not permitted without the written consent of Aquatec.

Aquatec Fluid Systems PTY LTD / ABN: 44 114 844 025
27 Ironwood Crescent, Shepparton VIC 36320
155040 0294 / 08 155040 0294
© Aquatec Environmental Group Pty Ltd
www.aquatec.com.au



Designed: ACT
Drawn: RWJ
Approved: JS

Scale: NTS

File Location / Name: C

Drawing No: P.E.S.O.1100/FS

Revision: C

Pressure Sewer Pump Unit
SIMPLEX OGP 1100L
FREE STANDING MODEL

