



Certificate of Accreditation

Sewage Management Facility

Sewage Ejection Pump Station

This Certificate of Accreditation is issued by the Secretary of the NSW Ministry of Health pursuant to Clause 41(1) of the Local Government (General) Regulation 2021.

System: *WES 600 & 1200 Litre Greywater Model SEPS*
WES 600 & 1200 Litre Blackwater Model SEPS

Manufacturer: *Alphatreat Pty Ltd*

Of: *9 Mackie Way, Brendale, QLD, 4500*

The WES 600 and 1200 litre SEPS as described in the attached Schedule have been accredited as sewage management facilities for use in single domestic premises in NSW. The pump well is manufactured to the Australian / New Zealand Standard AS/NZS 1546.1:2008 On-site domestic wastewater treatment units - septic tanks.

*A/Director, Environmental Health
for Secretary (delegation PH335)*

Issued: *6 / Feb / 2023*

Certificate No: *SEPS 003*

Expires: *31 December 2025*



Accreditation Schedule

The Certificate of Accreditation applies to the WES 600L sewage ejection pump station in accordance with the attached plan.

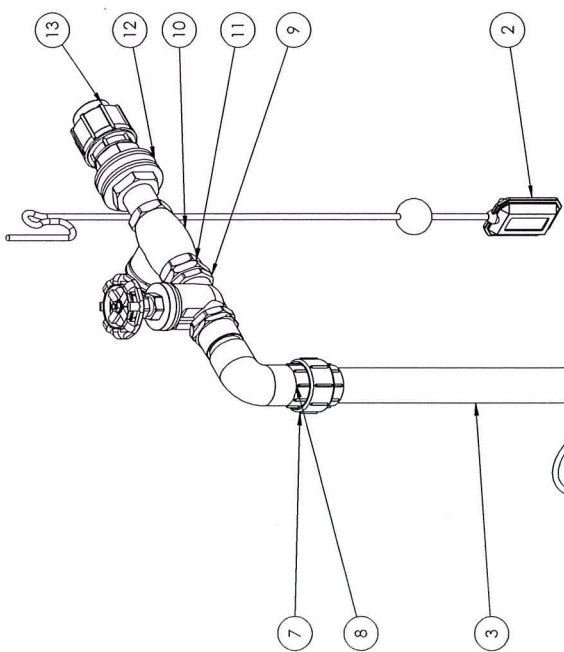
The WES 600L and 1200L sewage ejection pump stations consists of:

- A vertical axis type cylindrical rotational moulded polyethylene pump well and lid, manufactured by Reln Pty Ltd, 14 Williamson Road, Ingleburn, NSW, 2565, with a capacity of 600 litres;*
- A Reefer REG105 grinder pump (or equivalent) in single or dual configuration for sewage;*
- A Reefer RVS200 vortex pump (or equivalent) in single or dual configuration for greywater;*
- Automatic start/stop - hi/lo level float switch*
- A flexible 40 mm diameter pressure discharge pipe fitted with a brass check valve and brass isolation valve;*
- Electrical control box*
- An audible and visible alarm system.*

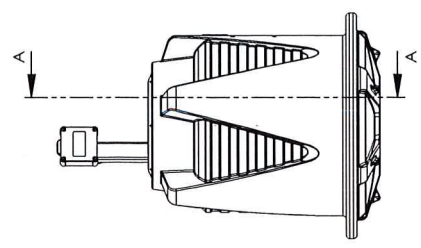
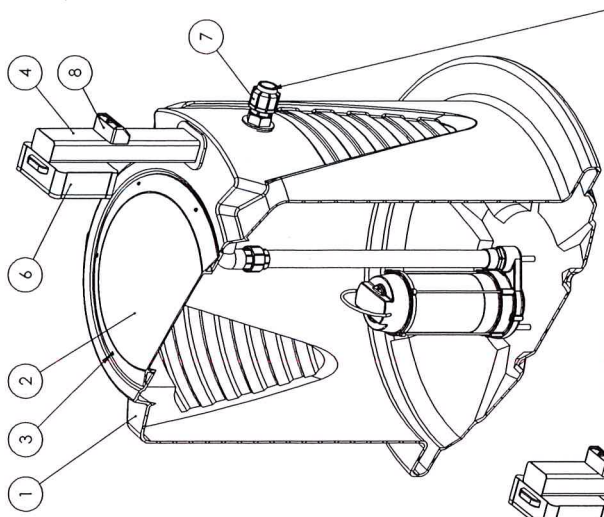
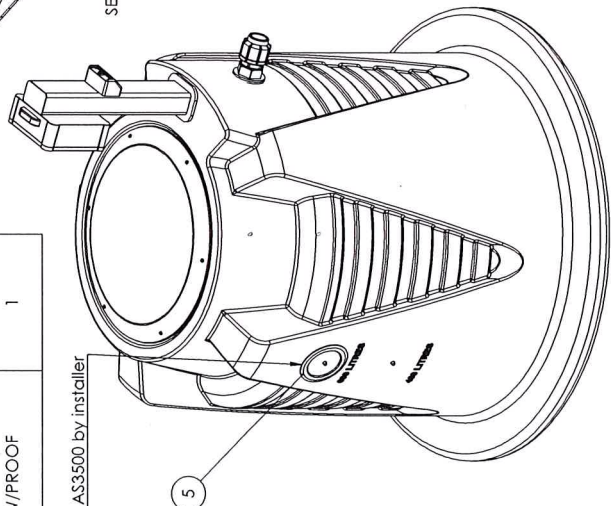
WES PPS-S 600 SINGLE GREY WATER PUMPWELL

ITEM NO.	PART NUMBER	DESCRIPTION	QTY.
1	RE000836	Pump Well 600L	1
2	RN0006621	Plastic (Septic) Access Cover	1
LID OPTIONS			
		AS3996 CLASS B COMPOSITE DN600 ACCESS COVER	
		AS3996 CLASS D COMPOSITE DN600 ACCESS COVER	
3	AS-NIS 4410-ST2.9X19-C-N	Hex Head Self Tapping Screw	6
4	TREFFSHS	POST 75 X 75 X 500	1
5	U100 - Uniseal	Sealing Ring	1
6	R12998.3	LIQUID LEVEL ALARM & FLOAT (Mounting Location by Installer)	1
7	7042 RL Pump Well 100L Single Pump Setup	1000L Pump Well Single Pump Setup	1
8	GOWSC22TRG	GPO DOUBLE W/PROOF	1

ACCREDITED
- 6 FEB 2023
NSW MINISTRY OF HEALTH
PUMP ASSEMBLY



ITEM NO.	PART NUMBER	DESCRIPTION	QTY.
1	RVS200	REEFE RVS200 Vortex code R8218	1
2	160106	DN40 PN12 STAND PIPE 925MM JOINER LENGTH 50MM	2
3	HRSRB50x40	Hansen Reducing Bush 50mmx40mm	1
4	HRPVV540M	PVC Pressure Valve Socket 40mm x 1-1/2"	2
5	PVCU40MM	PVC Pressure Barrel Union 40mm	1
6	HRTTC-P0134040	40mm PVC Elbow	1
7	HRT40GV	40mm Gate Valve	1
8	HRA306040	40mm Swing Check Valve	1
9	HRSNH40	Hex Nipple 40mm	1
10	HRSFTT40	Female Tank Fitting 40mm	1
11	HRM21.4040	Male Adaptor 40 x 1 1/2"	1



LINE(S) OTHERWISE SPECIFIED	FINISH	NAME	DATE	SCALE	REVISION
1	SMOOTH FINISH	DR	15/08/22	AS	
2	SMOOTH FINISH	OL	17/08/22	AS	
3	SMOOTH FINISH	OL	07/09/22	AS	
4	SMOOTH FINISH	OL		AS	
5	SMOOTH FINISH	OL		AS	
6	SMOOTH FINISH	OL		AS	
7	SMOOTH FINISH	OL		AS	
8	SMOOTH FINISH	OL		AS	
9	SMOOTH FINISH	OL		AS	
10	SMOOTH FINISH	OL		AS	
11	SMOOTH FINISH	OL		AS	
12	SMOOTH FINISH	OL		AS	
13	SMOOTH FINISH	OL		AS	

Copyright RELN Pty Ltd. All rights reserved. This document is the property of RELN Pty Ltd. No part of this document may be reproduced or transmitted in any form or by any means without the written permission of RELN Pty Ltd.

Black Tank Green Lid Sid

DO NOT SCALE DRAWING

REVISION

DATE

SCALE

REVISION

Copyright RELN Pty Ltd. All rights reserved. This document is the property of RELN Pty Ltd. No part of this document may be reproduced or transmitted in any form or by any means without the written permission of RELN Pty Ltd.

Alpha Treat 600L Pump Well SINGLE GW PUMP SETUP DIAGRAM

DWG NO: 7042 600L PW 10a

SCALE: Do Not Scale

SHEET 3 OF 3

A2

WES PPS-S 600 DUAL SEWER

PUMPWELL

ITEM NO.	PART NUMBER	DESCRIPTION	QTY.
1	RE000836	Pump Well 600L	1
2	RN0006621	Plastic (Septic) Access Cover	1
LID OPTIONS			
AS3996 CLASS B COMPOSITE DN600 ACCESS COVER			
AS3996 CLASS D COMPOSITE DN600 ACCESS COVER			
3	AS-NZS 4410-STZ.9x1.9-C-N	Hex Head Self Tapping Screw	6
4	TREFFSHS	POST 75 X 75 X 500	1
5	U100 - Uniseal	Sealing Ring	1
6	7042 RL Pump Well 100a Double Pump Setup	1000L PUMP WELL DUAL PUMP SETUP	1
7	GOWSC22T2RG	GPO DOUBLE W/PROOF	1
8	R15339	COMPACT DUAL PUMP CONTROLLER 240V (Mounting Location by Installer)	1

ACCREDITED

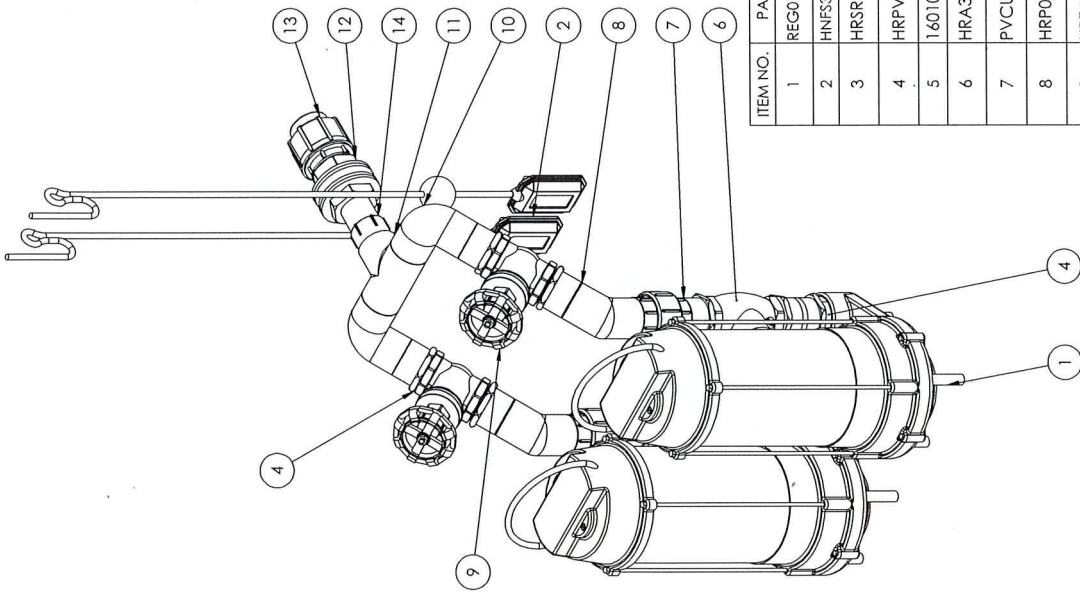
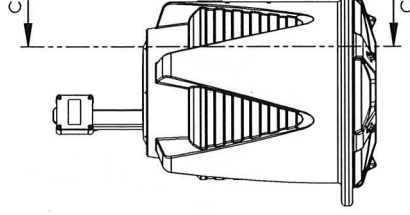
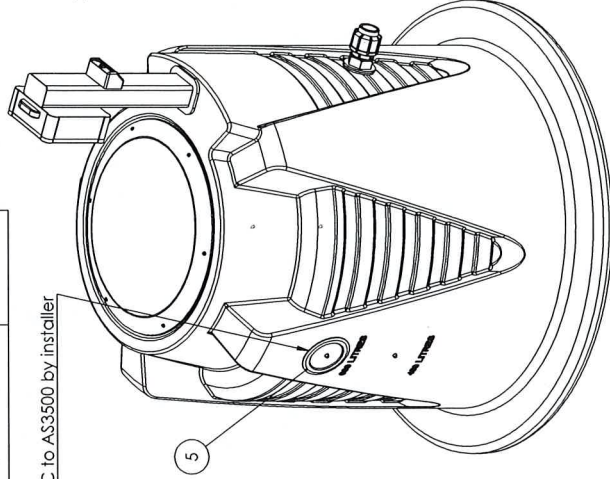
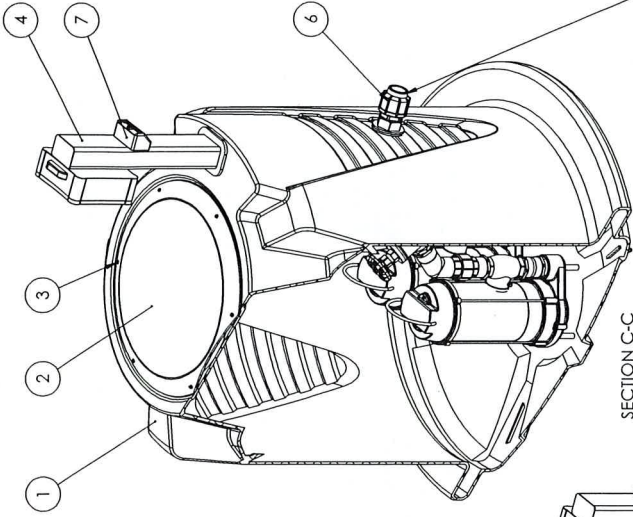
- 6 FEB 2023

NSW MINISTRY OF HEALTH
PUMP ASSEMBLY

100mm DWV PVC to AS3500 by installer

Discharge to AS3500 by installer

SECTION C-C



ITEM NO.	PART NUMBER	DESCRIPTION	QTY.
1	REG015	Reefe Grinder Pump REG015 (Or Equivalent)	2
2	HNFS3	MAC3 FLOAT SMALL	2
3	HRRB50x40	Hansen Reducing Bush 50mmx40mm	1
4	HRPV340M	PVC Pressure Valve Socket 40mm x 1-1/2"	10
5	160106	JOINER LENGTH 50MM	12
6	HRA306040	40mm Swing Check Valve	2
7	PVCU40MM	PVC Pressure Barrel Union 40mm	2
8	HRP01040	45deg 40mm 1/2" Slip x Slip Elbow	2
9	HRT40GV	40mm Gate Valve	2
10	HRTTC-P0134040	40mm PVC Elbow	2
11	HRP0194040	40MM PVC TEE	1
12	HRSFIT40	Female Tank Fitting 40mm	1
13	HRM214040	Male Adaptor 40 x 1 1/2"	1
14	DWVF0010	DWV PVC ADAPTOR FEMALE 40mm	1

FINISH		UNLESS OTHERWISE SPECIFIED		DIMENSIONS IN MILLIMETERS		REVISION	
NAME	DATE	SCALE	BY	DATE	BY	SCALE	REVISION
DRWN	15/08/22	OL	OL	15/08/22	OL		
CHKD	17/08/22	OL	OL	17/08/22	OL		
APPD	02/09/22	OL	OL	02/09/22	OL		
MFG							
QA							

Black Tank Green Lid Std

Copyright RELN Pty Ltd. All rights reserved. This drawing may not be reproduced or transmitted in any form or by any means without the written permission of RELN Pty Ltd.

TITLE: Alpha Treat 600L Pump Well DUAL SEWER PUMP SETUP DIAGRAM

DWG NO: 7042.600L.PW.10a

MATERIAL: UV Polyethylene

SCALE: Do Not Scale

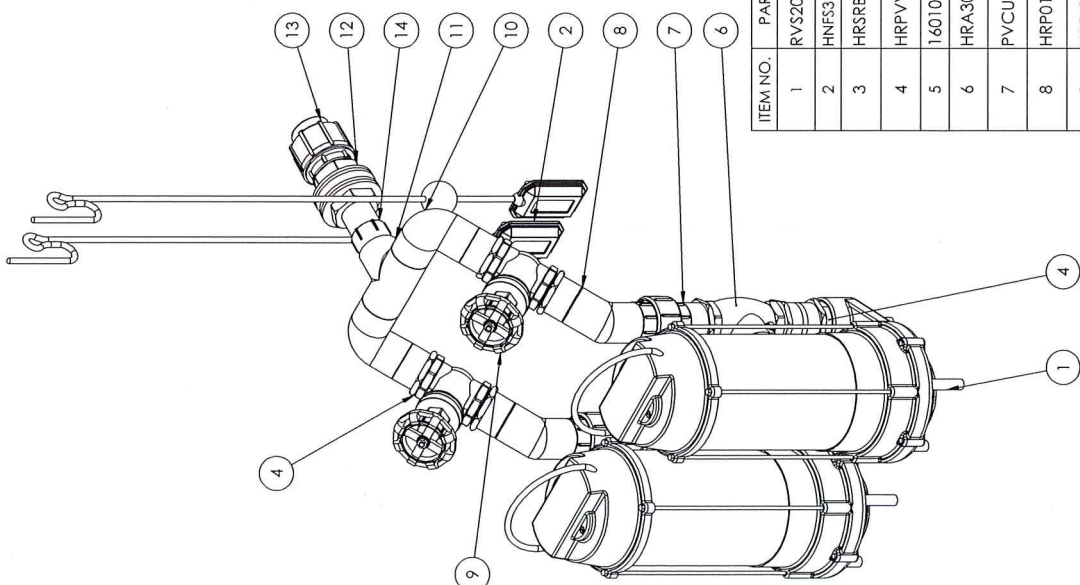
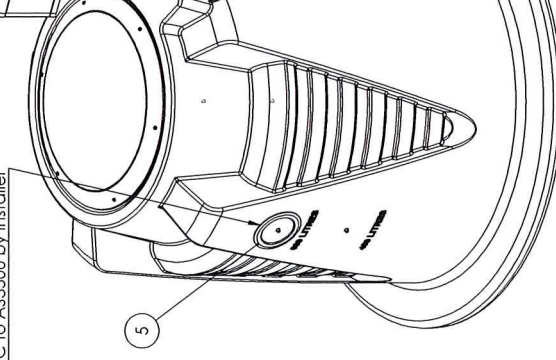
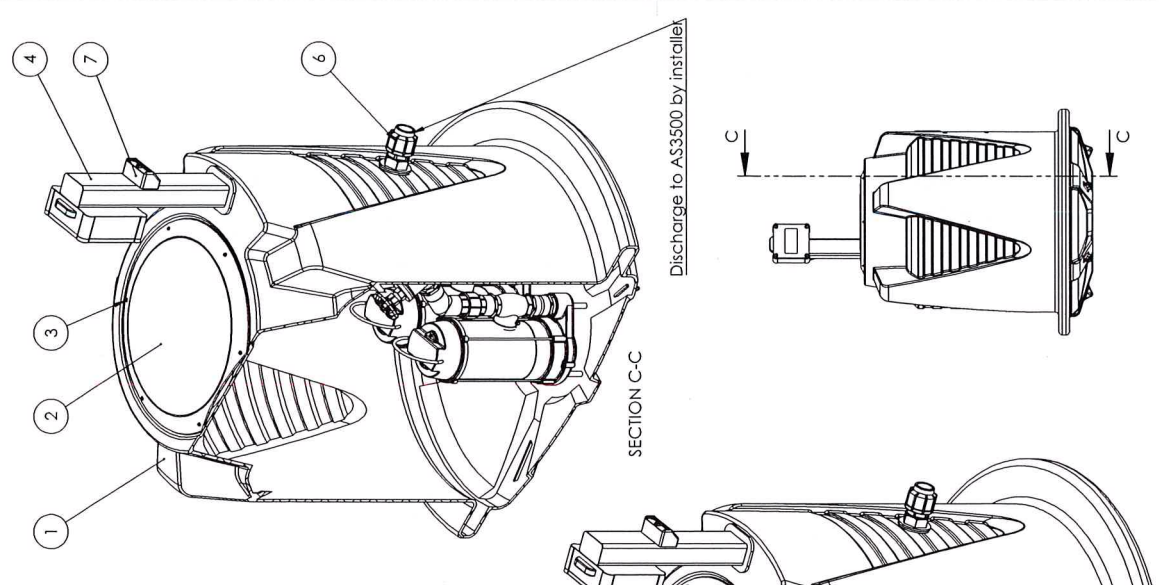
SHEET 4 OF 5

WES PPS-S 600 DUAL GREY WATER PUMPWELL

PUMPWELL

ITEM NO.	PART NUMBER	DESCRIPTION	QTY.
1	RE000836	Pump Well 600L	1
2	RN0008621	Plastic (Septic) Access Cover	1
		LID OPTIONS	
		AS3996 CLASS B COMPOSITE DN600 ACCESS COVER	
		AS3996 CLASS D COMPOSITE DN600 ACCESS COVER	
3	AS-NZS 4410-02/2 X 1/2" C-N	Hex Head Self Tapping Screw	6
4	TREFPSSH	POST 75 X 75 X 500	1
5	U100 - Uniseal	Sealing Ring	1
6	7042 RL Pump Well 1000L Double Pump Setup	1000L PUMP WELL DUAL PUMP SETUP	1
7	GOWSC22TRG	GFO DOUBLE W/PROOF	1
8	RT13359	COMPACT DUAL PUMP CONTROLLER 240V (mounting bracket by installer)	1

ACCREDITED
 - 6 FEB 2023
 NSW MINISTRY OF HEALTH
 PUMP ASSEMBLY



ITEM NO.	PART NUMBER	DESCRIPTION	QTY.
1	RVS200	REEFE RVS200 Vortex code R8218	2
2	HNFS3	MAC3 FLOAT SMALL	2
3	HRRB50x40	Hansen Reducing Bush 50mmx40mm	1
4	HRPVVS40M	PVC Pressure Valve Socket 40mm x 1-1/2"	10
5	160106	JOINER LENGTH 50MM	12
6	HRA306040	40mm Swing Check Valve	2
7	PVCU40MM	PVC Pressure Barrel Union 40mm	2
8	HRP01040	45deg 40mm 1/2" Slip x Slip Elbow	2
9	HRT140GV	40mm Gate Valve	2
10	HRTTC-P0134040	40mm PVC Elbow	2
11	HRP0194040	40MM PVC TEE	1
12	HRSFIT40	Female Tank Fitting 40mm	1
13	HRM214040	Male Adaptor 40 x 1 1/2"	1
14	DWVF0010	DWV PVC ADAPTOR FEMALE 40mm	1

DO NOT SCALE DRAWING

Copyright RELN Pty Ltd. All rights reserved. This drawing is the property of RELN Pty Ltd and may not be reproduced in any form or by any means without the written permission of RELN Pty Ltd

DATE: 15/09/22
 17/09/22
 20/09/22

SCALE: Do Not Scale

DWG NO: 7042 600L PW 10a

SHEET 3 OF 3

UNLESS OTHERWISE SPECIFIED: DIMENSIONS ARE IN MILLIMETRES

FINISHES: UNLESS OTHERWISE SPECIFIED: R.F. 0.2

UNIT: ANGULAR: ° & 0.009

NAME: DATE: 15/09/22

DRAWN: OL OL OL OL

CHECK: OL OL OL OL

APP'D: OL OL OL OL

MFG: G.A.

Black Tank Lid Green Lid Sid

UV Polyethylene

Alpha Treat 600L Pump Well DUAL GW PUMP SETUP DIAGRAM

WES PPS-S 1200 SINGLE SEWER PUMPWELL

PUMPWELL

ITEM NO.	PART NUMBER	DESCRIPTION	QTY.
1	7971 AT 1200 01a	Pump Well 1200L	1
2	RN0006621	Plastic (Septic) Access Cover	1
LID OPTIONS			
AS3996 CLASS B COMPOSITE DN600 ACCESS COVER			
AS3996 CLASS D COMPOSITE DN600 ACCESS COVER			
3	7971 AT 1200 10a_Single Pump Setup	1200L Single Pump Assembly	1
4	U100 - Uniseal	Sealing Ring	1
5	R12988.3	LIQUID LEVEL ALARM WITH FLOAT (Mounting Location by Installer)	1

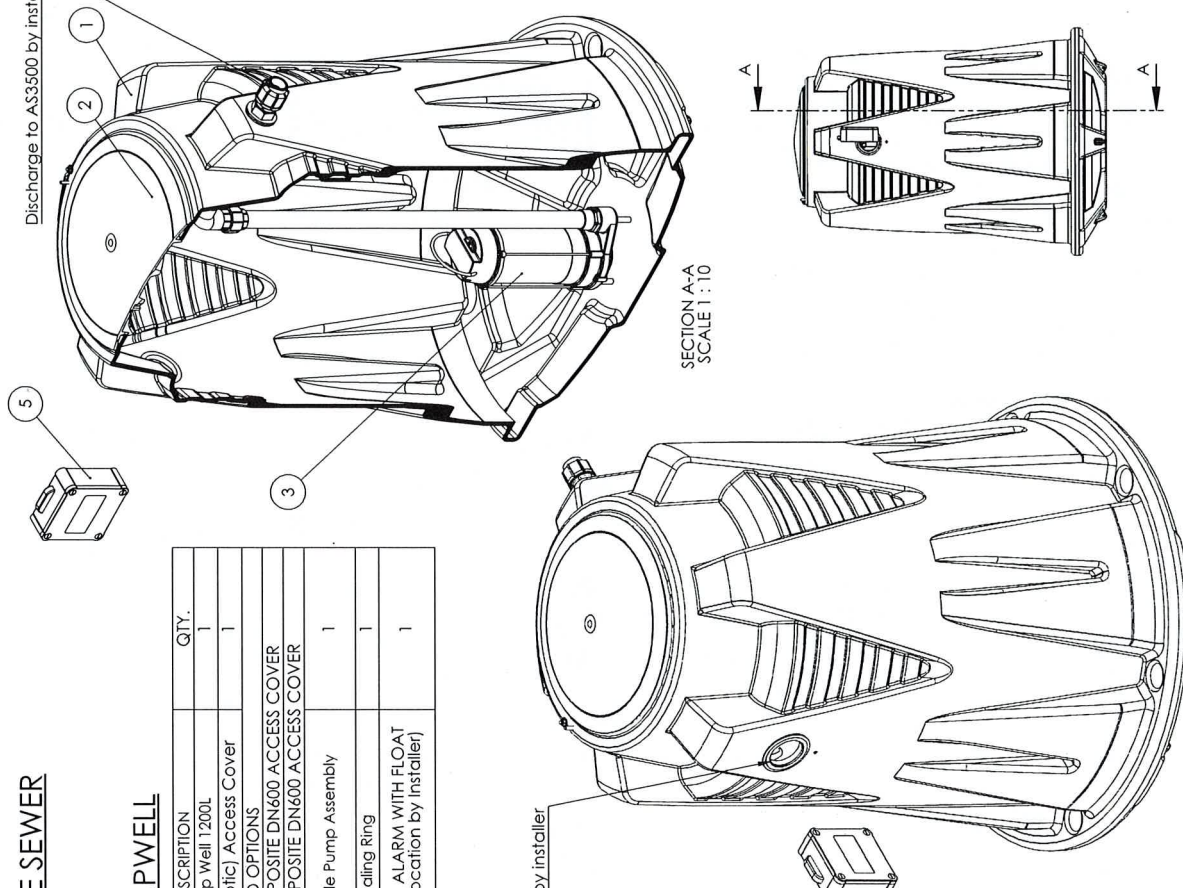
PUMP ASSEMBLY

100mm DWV PVC to AS3500 by installer

ITEM NO.	PART NUMBER	DESCRIPTION	QTY.
1	R17937	Reefe Grinder Pump REG015 (Or Equivalent)	1
2	DN40 PNI12 Stand Pipe 1300MM		1
3	160106	JOINER LENGTH 50MM	2
4	HRTTC-P0134040	40mm PVC Elbow	1
5	HRSHN40	Hex Nipple 40mm	1
6	HRSFIT40	Female Tank Fitting 40mm	1
7	HRM214040	Male Adaptor 40 x 1 1/2"	1
8	HRSRB50x40	Hansen Reducing Bush 50mmx40mm	1
9	HRPVVS40M	PVC Pressure Valve Socket 40mm x 1-1/2"	2
10	PVCU40MM	PVC Pressure Barrel Union 40mm	1
11	HRT40GV	40mm Gate Valve	1
12	HRA306040	40mm Swing Check Valve	1
13	HNFS3	MAC3 FLOAT SMALL	1
14	SS HOOK	3 NUTS, 2 WASHERS, 10MM STAINLESS HOOK	1

ACCREDITED
 - 6 FEB 2023
 NSW MINISTRY OF HEALTH

Discharge to AS3500 by installer



SECTION A-A
SCALE 1 : 10

UNLESS OTHERWISE SPECIFIED:		FINISH		REVISION	
SURFACE FINISH		BLACK ANTD. GRAY SHARP EDGES		DATE	
SYMBOL	DESCRIPTION	SYMBOL	DESCRIPTION	NO.	DATE
1/16	0.5	OL	15/08/22		
1/8	1.0	CL	17/08/22		
3/16	2.0	AP	07/09/22		
1/2	4.0	MC			
3/4	6.0	GA			
1	12.0				
2	25.0				
3	50.0				
4	100.0				
5	200.0				
6	400.0				
7	800.0				
8	1600.0				
9	3200.0				
10	6400.0				
11	12800.0				
12	25600.0				
13	51200.0				
14	102400.0				

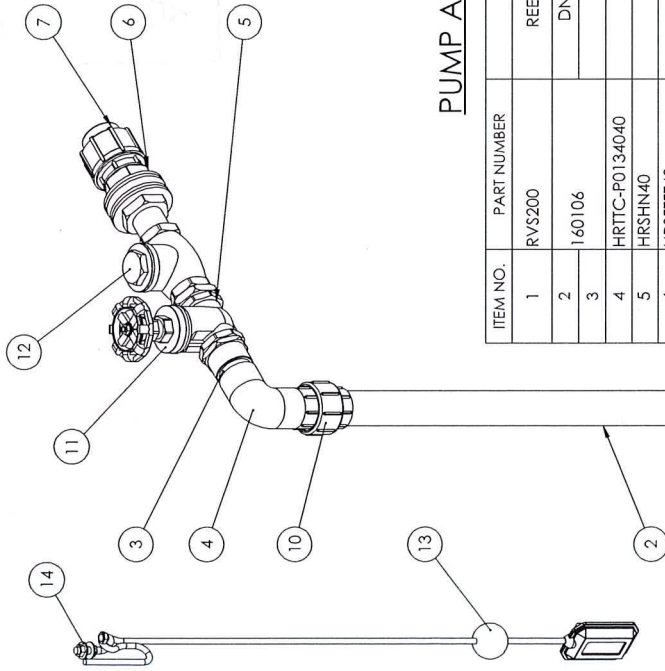
TITLE		MATERIAL	
Black Tank	Green Lid	UV Polyethylene	

Copyright Alpha Treat Pty Ltd. All rights reserved. This drawing may not be reproduced or transmitted in any form or by any means without the written permission of Alpha Treat Pty Ltd.	7971 AT 1200 Pump Well SINGLE SEWER PUMP SETUP DIAGRAM
DWG NO. 7971 AT 1200 10a	SHEETS OF 8
SCALE Do Not Scale	A2

WES PPS-S 1200 SINGLE GREY WATER

PUMPWELL

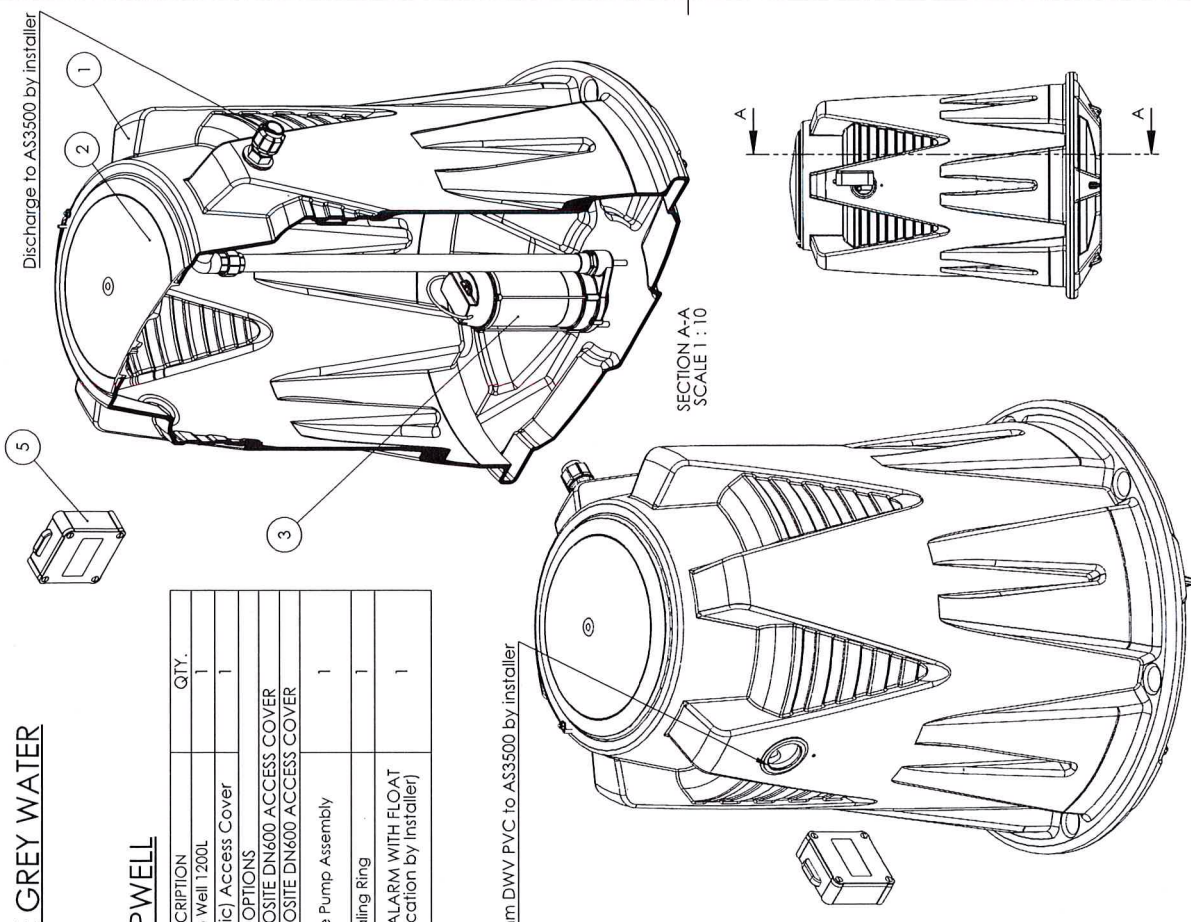
ITEM NO.	PART NUMBER	DESCRIPTION	QTY.
1	7971 AT 1200 01a	Pump Well 1200L	1
2	RN0006621	Plastic (Septic) Access Cover LID OPTIONS	1
		AS3996 CLASS B COMPOSITE DN600 ACCESS COVER	
		AS3996 CLASS D COMPOSITE DN600 ACCESS COVER	
3	7971 AT 1200 10a_Single Pump Setup	1200L Single Pump Assembly	1
4	U100 - Uniseal	Sealing Ring	1
5	R12988.3	LIQUID LEVEL ALARM WITH FLOAT (Mounting Location by installer)	1



PUMP ASSEMBLY

ITEM NO.	PART NUMBER	DESCRIPTION	QTY.
1	RVS200	REEFE RVS200 Vortex code R8218	1
2	160106	DN40 PN12 Stand Pipe 1300MM	1
3		JOINER LENGTH 50MM	2
4	HRTTC-P0134040	40mm PVC Elbow	1
5	HRSHN40	Hex Nipple 40mm	1
6	HRSTFT40	Female Tank Fitting 40mm	1
7	HRM214040	Male Adaptor 40 x 1 1/2"	1
8	HRSRB50x40	Hansen Reducing Bush 50mmx40mm	1
9	HRPVVS40M	PVC Pressure Valve Socket 40mm x 1-1/2"	2
10	PVCU40MM	PVC Pressure Barrel Union 40mm	1
11	HRT40GV	40mm Gate Valve	1
12	HRA306040	40mm Swing Check Valve	1
13	HNFS3	MAC3 FLOAT SMALL	1
14	SS HOOK	3 NUTS, 2 WASHERS, 10MM STAINLESS HOOK	1

ACCREDITED
- 6 FEB 2023
NSW MINISTRY OF HEALTH



UNLESS OTHERWISE SPECIFIED		DIMENSIONS ARE IN MILLIMETRES	
FINISH	TOLERANCES	LINEAR	ANGULAR
	±0.5	±0.5	±1.0
	±0.2	±0.2	±0.5
	±0.1	±0.1	±0.2

DATE	BY	CHECKED	DATE	BY	CHECKED
15/09/22	OL	17/09/22	OL	17/09/22	OL
	OL		OL		OL
	OL		OL		OL
	OL		OL		OL

SCALE	TITLE	DWG NO.	SHEET NO.
Do Not Scale	Alpha Treat 1200L Pump Well SINGLE GW PUMP SETUP DIAGRAM	7971 AT 1200 10a	A2

Copyright Alpha Treat Pty Ltd. All rights reserved. This drawing is the property of Alpha Treat Pty Ltd. It is to be used in any form or by any means without the written permission of Alpha Treat Pty Ltd.

DO NOT SCALE DRAWING

UNLESS OTHERWISE SPECIFIED DIMENSIONS ARE IN MILLIMETRES

FINISH: TOLERANCES: LINEAR: ANGULAR: ±0.5 ±0.2 ±0.1

DATE: BY: CHECKED: DATE: BY: CHECKED: 15/09/22 OL 17/09/22 OL 17/09/22 OL 17/09/22 OL

SCALE: TITLE: DWG NO.: SHEET NO.: Do Not Scale Alpha Treat 1200L Pump Well SINGLE GW PUMP SETUP DIAGRAM 7971 AT 1200 10a A2

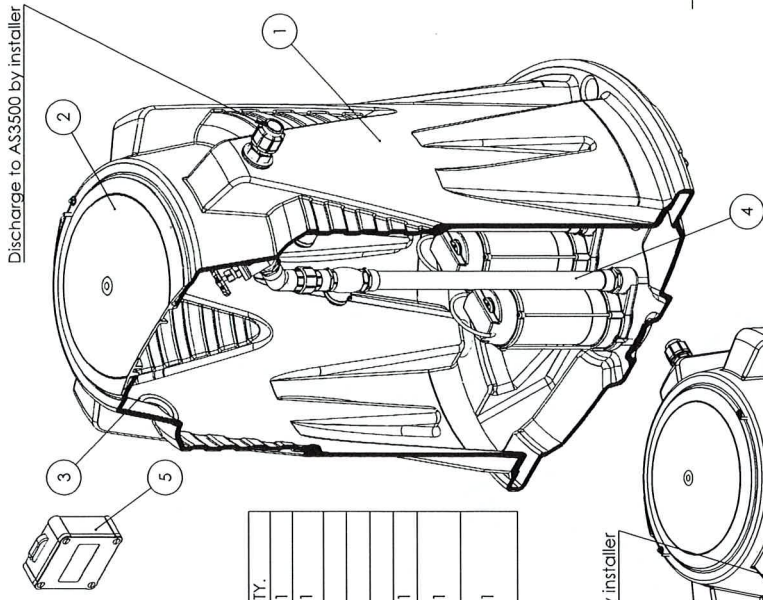
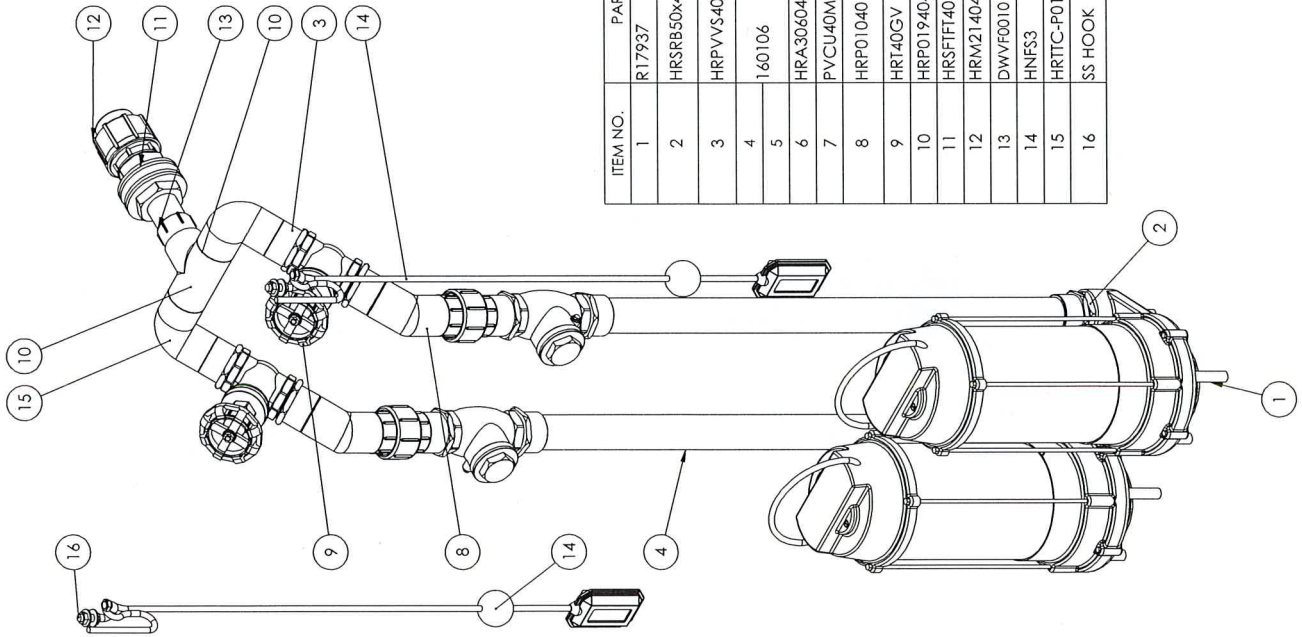
WES PPS-S 1200 DUAL SEWER PUMPWELL

PUMPWELL

ITEM NO.	PART NUMBER	DESCRIPTION	QTY.
1	7971 AT 1200 01A	PUMP WELL 1200L	1
2	RN0006621	Plastic (Septic) Access Cover	1
LID OPTIONS			
AS3996 CLASS B COMPOSITE DN600 ACCESS COVER			
AS3996 CLASS D COMPOSITE DN600 ACCESS COVER			
3	U1100 - UNISEAL	Sealing Ring	1
4	7971 AT 1200 10A_DOUBLE PUMP SETUP	1200L DUAL PUMP SETUP	1
5	R 15339	COMPACT DUAL PUMP CONTROLLER 240V (Mounting Location by Installer)	1

PUMP ASSEMBLY

ITEM NO.	PART NUMBER	DESCRIPTION	QTY.
1	R17937	Reefe Grinder Pump REG015 (Or Equivalent)	2
2	HRSRB50x40	Hansen Reducing Bush 50mmx40mm	2
3	HRPVV340M	PVC Pressure Valve Socket 40mm x 1-1/2"	10
4	160106	DN40 PN12 STAND PIPE 925MM	2
5	HRA-306040	JOINER LENGTH 50MM	10
6	PVCU40MM	40mm Swing Check Valve	2
7	HRP01040	PVC Pressure Barrel Union 40mm	2
8	HRT40GV	45deg 40mm 1/2" Slip x Slip Elbow	2
9	HRP0194040	40mm Gate Valve	2
10	HRSFIT40	40MM PVC TEE	1
11	HRM214040	Female Tank Fitting 40mm	1
12	DWVF0010	Male Adaptor 40 x 1 1/2"	1
13	HNF53	DWV PVC ADAPTOR FEMALE 40mm	1
14	HRTIC-P01340-40	MAC3 FLOAT SMALL	2
15	SS HOOK	40mm PVC ELBOW	2
16		100mm DWV PVC to AS3500 by installer	2



100mm DWV PVC to AS3500 by installer

ACCREDITED

NSW MINISTRY OF HEALTH

- 6 FEB 2023

UNLESS OTHERWISE SPECIFIED:		FINISH:		DRAWING AND REVISIONS:		REVISION:	
SYMBOL	DESCRIPTION	SYMBOL	DESCRIPTION	NO.	DATE	BY	DESCRIPTION
□	SMOOTH SURFACE FINISH	□	AS PER MANUFACTURER'S SPECIFICATION				
○	UNPAINTED	○	AS PER MANUFACTURER'S SPECIFICATION				
×	PAINTED	×	AS PER MANUFACTURER'S SPECIFICATION				
○	ANGULAR	○	AS PER MANUFACTURER'S SPECIFICATION				

BLOCK TANK GREEN LID STD		TITLE:	
DATE	BY	NO.	DESCRIPTION
15/08/22	OL		
17/08/22	OL		
07/09/22	OL		

Copyright Alpha Treat Pty Ltd. All rights reserved. This drawing may not be reproduced or transmitted in any form or by any means without the written permission of Alpha Treat Pty Ltd.	
Alpha Treat 1200L Pump Well DUAL SEWER PUMP SETUP DIAGRAM	
DWG NO.	7971 AT 1200 10a
MATERIAL	UV Polyethylene
SCALE	Do Not Scale
SHEET OF 8	A2

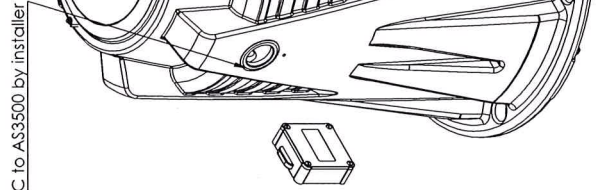
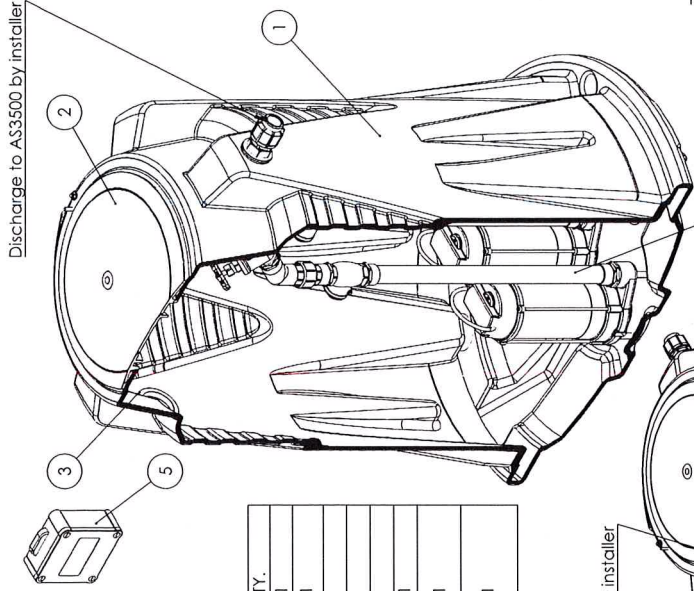
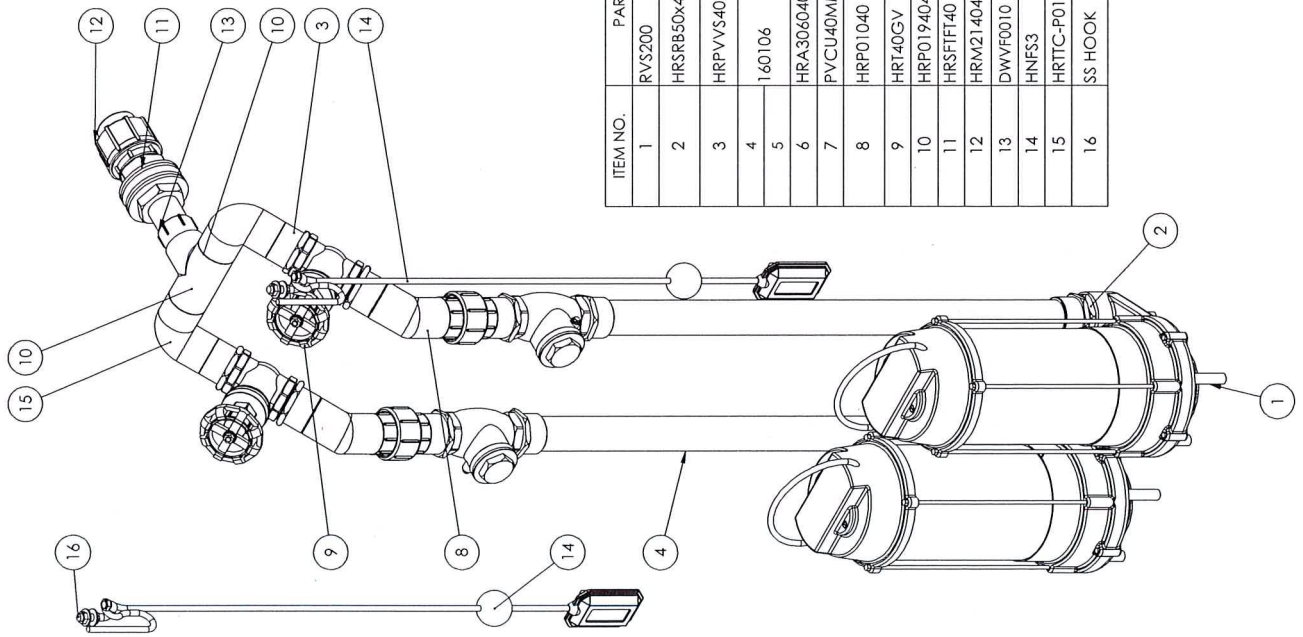
WES PPS-S 1200 DUAL GREY WATER

PUMPWELL

ITEM NO.	PART NUMBER	DESCRIPTION	QTY.
1	7971 AT 1200 01A	PUMP WELL 1200L	1
2	RND006621	Plastic (Septic) Access Cover	1
LID OPTIONS			
3	UI00 - UNISEAL	AS3996 CLASS B COMPOSITE DN600 ACCESS COVER	1
4	7971 AT 1200 10A_DOUBLE PUMP SETUP	AS3996 CLASS D COMPOSITE DN600 ACCESS COVER	1
Sealing Ring			
5	R15339	1200L DUAL PUMP SETUP	1
COMPACT DUAL PUMP CONTROLLER 240V (Mounting Location by installer)			

PUMP ASSEMBLY

ITEM NO.	PART NUMBER	DESCRIPTION	QTY.
1	RVS200	REEFE RVS200 Vortex code R8218	2
2	HRSRB50x40	Hansen Reducing Bush 50mmx40mm	2
3	HRPVVS40M	PVC Pressure Valve Socket 40mm x 1-1/2"	10
4	160106	DN40 PN12 STAND PIPE 925MM	2
5	HRA3060-40	JOINER LENGTH 50MM	10
6	PVCU40MM	40mm Swing Check Valve	2
7	HRP01040	PVC Pressure Barrel Union 40mm	2
8	HRP1040	45deg 40mm 1/2" Slip x Slip Elbow	2
9	HR140GV	40mm Gate Valve	2
10	HRP0194040	40MM PVC TEE	1
11	HRSF1F40	Female Tank Fitting 40mm	1
12	HRM214040	Male Adaptor 40 x 1 1/2"	1
13	DWVF0010	DWV PVC ADAPTOR FEMALE 40mm	1
14	HNFS3	MAG-FLOAT SMALL	2
15	HRTTC-P0134040	40mm PVC Elbow	2
16	SS HOOK	1/2" x 1/2" x 1/2" SS HOOK	2



DO NOT SCALE DRAWING

Copyright Alpha Treat Pty Ltd. All rights reserved. This drawing is the property of Alpha Treat Pty Ltd. It is to be used for the form or by any means without the written permission of Alpha Treat Pty Ltd.

Black Tank Green Lid Sid

Alpha Treat 1200L Pump Well DUAL SEWER PUMP SETUP DIAGRAM

7971 AT 1200 10a

UV Polyethylene

Do Not Scale

ACCREDITED

- 6 FEB 2023

NSW MINISTRY OF HEALTH