

Certificate of Accreditation

Sewage Management Facility

Sewage Ejection Pump Station


This Certificate of Accreditation is issued by the Secretary of the NSW Ministry of Health pursuant to Section 41(1) Local Government (General) Regulation 2021.

System: SPE Single and Dual Pump Sewage Ejection Pump Stations

Manufacturer: SPE Polytech Pty Ltd

Of: 23 Blackwall Road, Woy Woy, NSW, 2256

The SPE Sewage Ejection Pump Stations as described in the following schedule, have been accredited as Sewage Management Facilities for use in a single domestic premises in NSW. The Sewage Ejection Pump Station has been independently certified as being manufactured to Australian / New Zealand Standard "AS/NZS1546.1:2008 On-site domestic wastewater treatment units – Part 1: Septic tanks".



Director, Environmental Health

For Secretary (Delegation PH335)

Issued: 28/10/24

Certificate Number: SEPS006

Expires 31 December 2029

Accreditation Schedule

The Certificate of Accreditation applies to the following range of SPE Polytech Sewage Ejection Pump Station models in accordance with the attached plans.

- 590 litres (800 diameter x 1260 deep)
- 950 litres (1000 diameter x 1440 deep)
- 1050 litres (850 diameter x 2160 deep)
- 1050 litres (1000 diameter x 1600 deep)
- 1460 litres (1000 diameter x 2100 deep)
- 1880 litres (1400 diameter x 1525 deep)

The SPE Polytech sewage ejection pump station consists of:

- A cylindrical roto moulded polyethylene pump well and lid;
- Single or dual Grundfoss centrifugal grinder pump (or equivalent), fitted with low and high level pressure switches;
- A non-return valve and gate valve fitted on the outlet of the grinder pump. The discharge pipe is connected to either 32 mm or 50 mm diameter house pressure main to the sewer;
- An audible and visible alarm system



SAI Global accreditation
SPE Polytech Pty Ltd
Licence No. SMK40227

AS/NZS1546.1

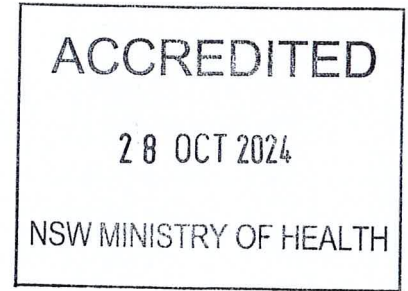
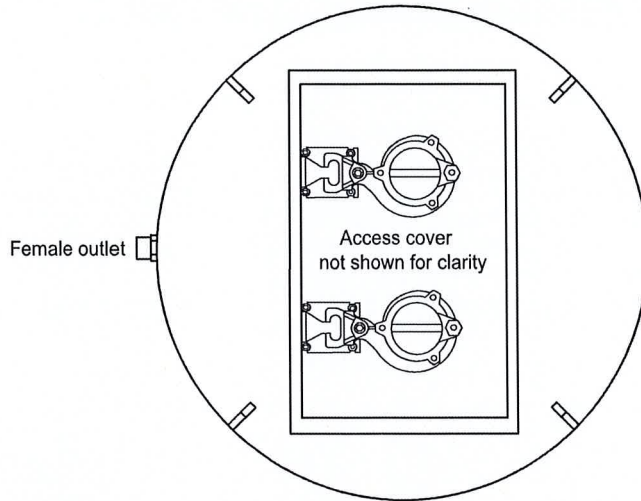
SPE Polytech

Typical polyethylene sewage ejector pump station
with submersible sewage grinder pumps

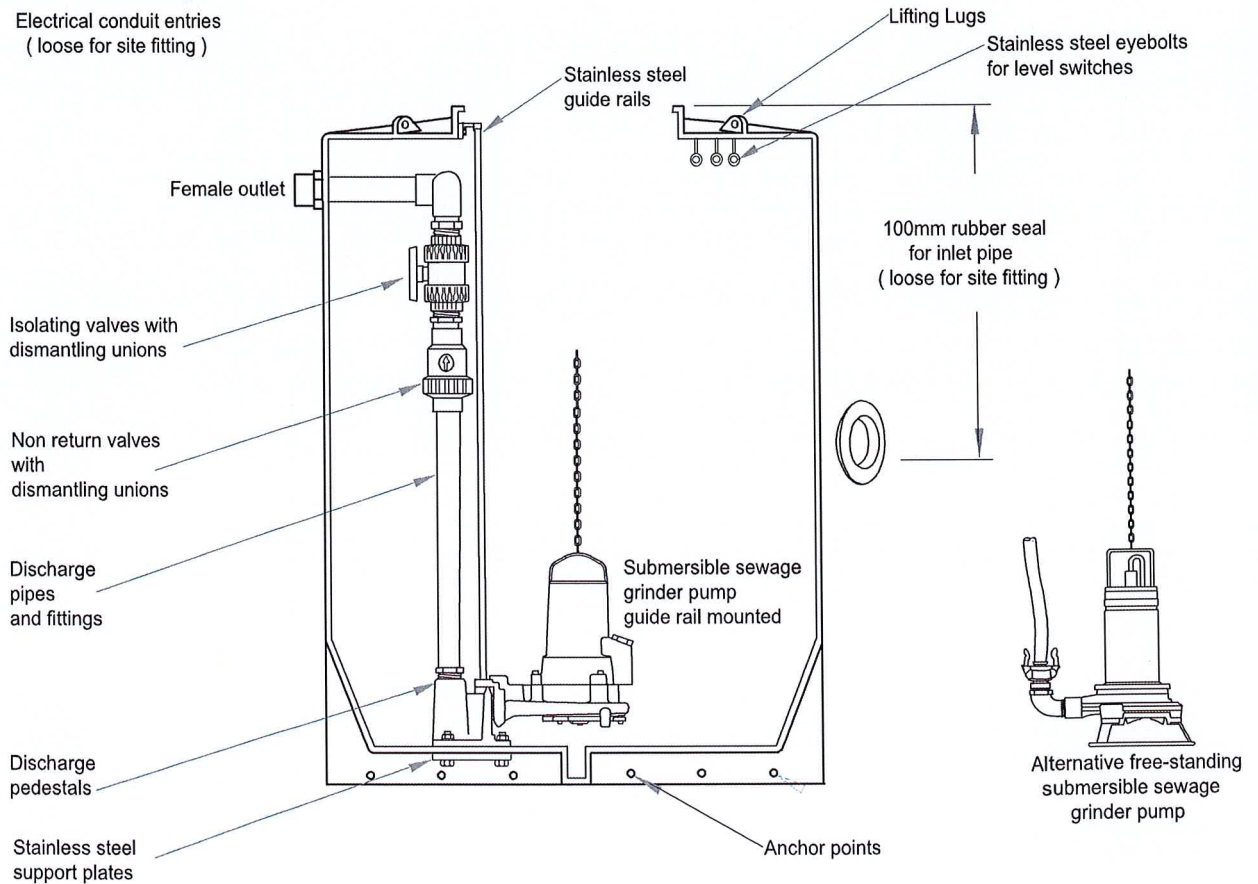
SAI Global accreditation
Rotadyne Pty Ltd
Licence No. QMS42259



ISO 9001 : 2015



Electrical conduit entries
(loose for site fitting)



SPE Polytech Pty Ltd

ABN 13100 653 647 Phone (02) 4342 4743
PO Box 341 Ettalong Fax (02)4342 4848
New South Wales 2257 Email abspe@bigpond.net.au

DIMENSIONS ARE IN MM

TOLERANCES:
ANGULAR: ± 0.5
NO DECIMAL PLACE ± 1.0
ONE DECIMAL PLACE ± 0.5
TWO DECIMAL PLACE ± 0.1

SHEET 1 OF 1

	NAME	DATE
DRAWN	SB	7/12/2023
CHECK	RP	
MATERIAL:	Virgin LLDPE	
FINISH:	Mat Black	

File Name:

Typical polyethylene sewage ejector pump station
with submersible grinder pumps

REV:

PROPRIETARY AND CONFIDENTIAL
THE INFORMATION CONTAINED IN THIS DRAWING IS THE SOLE
PROPERTY OF SPE POLYTECH PTY LIMITED. ANY REPRODUCTION
IN PART OR AS A WHOLE WITHOUT THE WRITTEN PERMISSION OF
SPE POLYTECH PTY LIMITED IS PROHIBITED.

SAI Global accreditation
SPE Polytech Pty Ltd
Licence No. SMK40227



AS/NZS1546.1

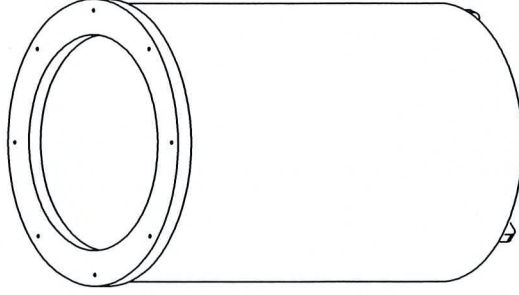
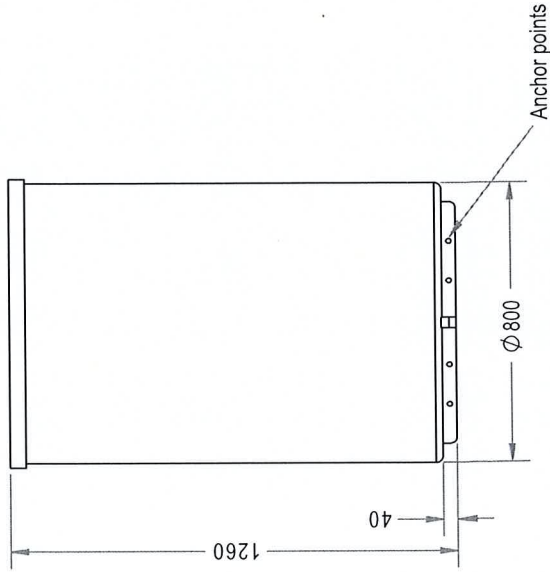
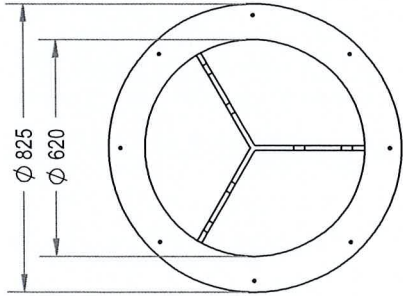
SAI Global accreditation
Rotadyne Pty Ltd
Licence No. QMS42259



ISO 9001 : 2015

DO NOT SCALE DRAWING

Model	∅ mm	X mm	Vol - litre
800 diam. 590 litre Sewage Ejector Pump Station	800	1260	590



ACCREDITED
28 OCT 2024
NSW MINISTRY OF HEALTH

SPE Polytech Polyethylene Package Sewage Ejector Pump Station

DIMENSIONS ARE IN MM		FILE NAME:	
DRAWN: SB	NAME: SB	DATE: 30/07/2024	FILE NAME: 800 Diameter Sewage Ejector Pump Station
CHECK: RP	CHECK: RP		
SCALE: 1:1	MATERIAL: Virgin LLDPE		
NO. OF SHEETS: 1			
NO. OF DIMENSIONS: 1			
TWO DECIMAL PLACE ED:			
SHEET 1 OF 1	INSBY: Matt Block	REV:	

SPE
POLYTECH

NSW MINISTRY OF HEALTH
Accredited for use in accordance with the
NSW Health Act 2013 and the Health Services
Regulation 2013

SAI Global accreditation
SPE Polytech Pty Ltd
Licence No. SMK40227



AS/NZS1546.1

SAI Global accreditation
Rotadyne Pty Ltd
Licence No. QMS42259



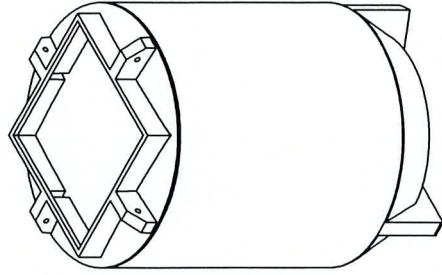
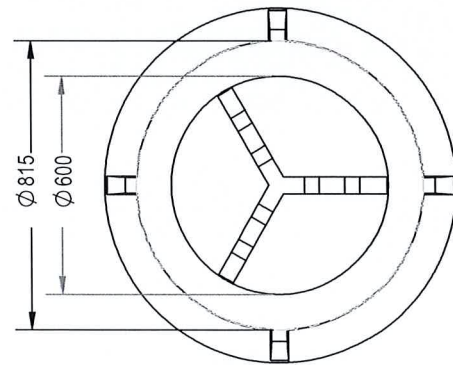
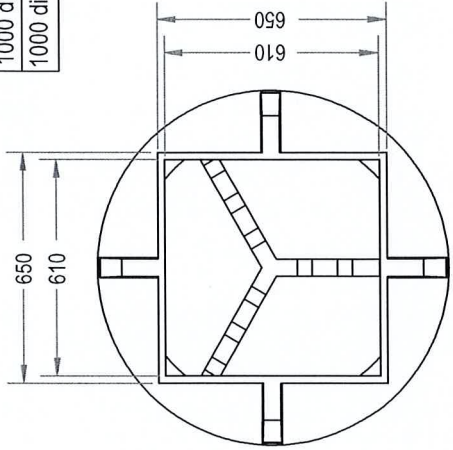
ISO 9001 : 2015

DO NOT SCALE DRAWING

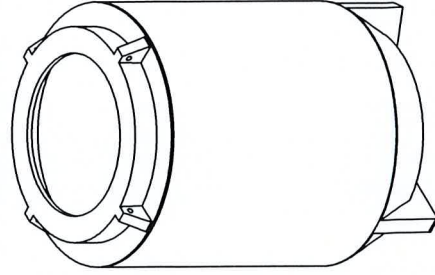
Model

1000 diam. 950 litre Sewage Ejector Pump Station	1440	950
1000 diam. 1050 litre Sewage Ejector Pump Station	1600	1050
1000 diam. 1460 litre Sewage Ejector Pump Station	2100	1460

Ø mm	X mm	Vol - litre
1000	1440	950
	1600	1050
	2100	1460



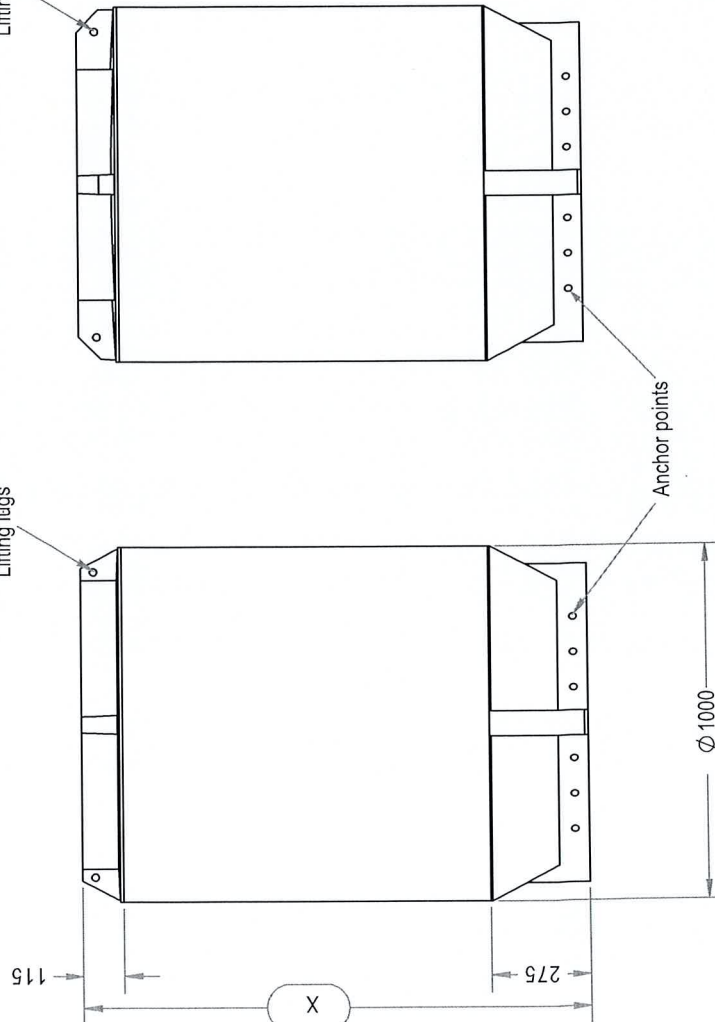
1000 diameter SPE Sewage Ejector Pump Stations are available with either 600mm circular opening or 600mm x 600mm square opening



Lifting lugs

Lifting lugs

Anchor points



ACCREDITED

28 OCT 2024

NSW MINISTRY OF HEALTH

SPE Polytech Polyethylene Package Sewage Ejector Pump Stations

NAME	DATE	FILE NAME	1000 Diameter Sewage Ejector Pump Stations	SPE
DRAWN SB	30/07/2024			
CHECK RP				POLYTECH
MATERIAL: Virgin LLDPE			REV:	
FINISH: Matt Black				
SHEET 1 OF 1				

PROPRIETARY AND CONFIDENTIAL
This drawing is the property of Polytech Pty Ltd and is not to be reproduced, stored in a retrieval system or transmitted in any form or by any means, electronic, mechanical, photocopying, recording, or by any information storage and retrieval system, without the prior written permission of Polytech Pty Ltd.

SAI Global accreditation
SPE Polytch Pty Ltd
Licence No. SMK40227

SAI Global accreditation
Rotaclyne Pty Ltd
Licence No. QMS42259



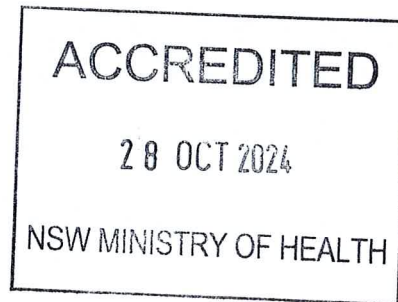
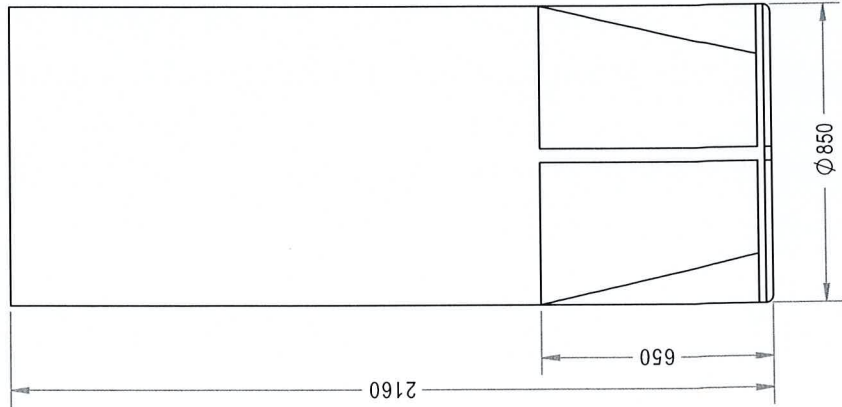
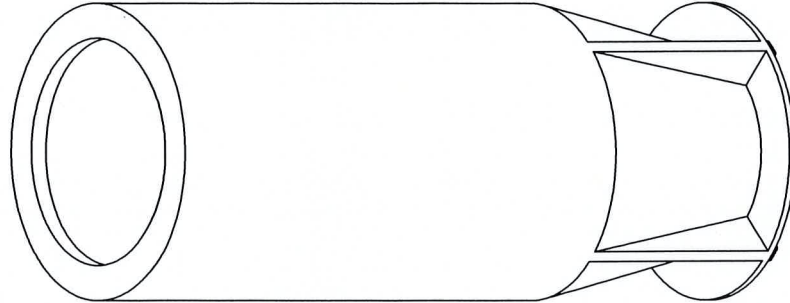
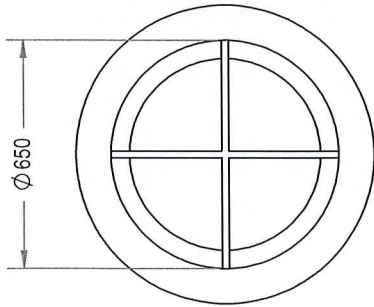
AS/NZS1546.1



ISO 9001 : 2015

DO NOT SCALE DRAWING

Model	850 diam. 1050 litre Sewage Ejector Pump Station	Vol - litre	1050
Height mm	2160	Ø mm	850



SPE Polytch Polyethylene Package Sewage Ejector Pump Station

DIMENSIONS ARE IN MM		FILE NAME:	
NAME	DATE	DRAWN	850 Diameter Sewage Ejector Pump Station
SB	30/07/2024	CHECK	RP
SCALE: 1:1		MATERIAL	Virgin LLDPE
NO DECIMAL PLACE D0		REV:	
TWO DECIMAL PLACE D01		INSTR:	Matt Black
SHEET 1 OF 1		POLYTECH	

DO NOT SCALE DRAWING

Model	Ø mm	Height mm	Vol - litre
1400 diam. 1880 litre Sewage Ejector Pump Station	1400	1525	1880

SAI Global accreditation
SPE Polytech Pty Ltd
Licence No. SMK40227

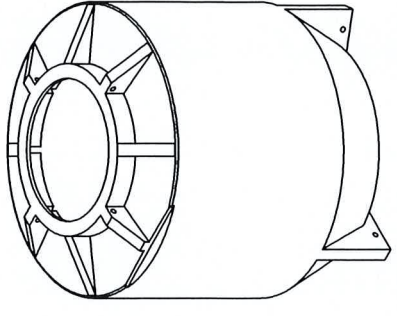
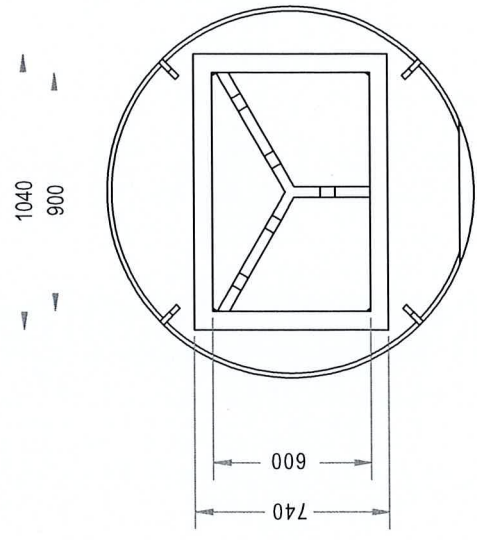
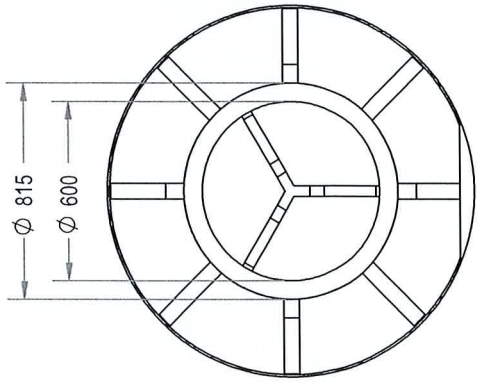


AS/NZS1546.1

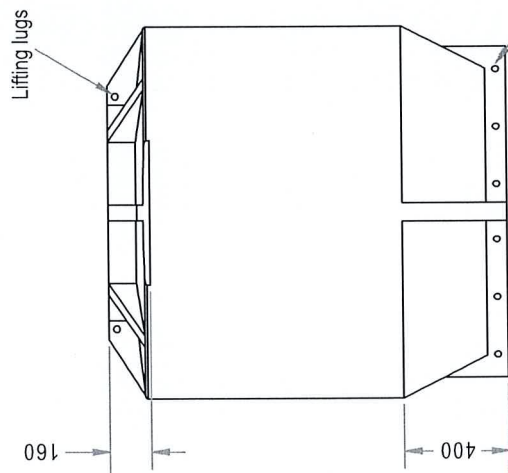
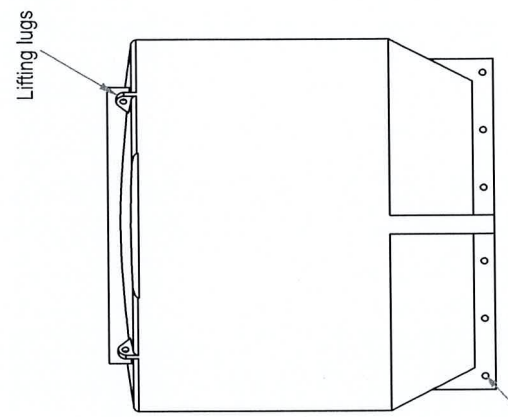
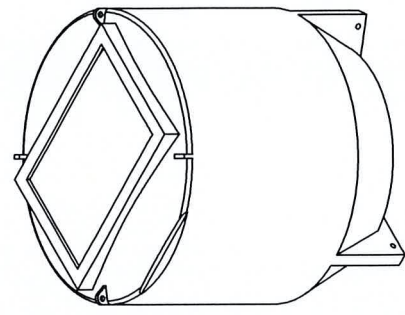


SAI Global accreditation
Rotadyne Pty Ltd
Licence No. QMS42259

ISO 9001 : 2015

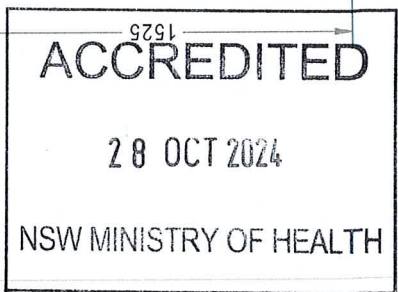


1400 diameter SPE Sewage Ejector Pump Stations are available with either 600mm circular opening or 900mm x 600mm rectangular opening.



Anchor points

Ø 1400



SPE Polytech Polyethylene Package Sewage Ejector Pump Station

DIMENSIONS ARE IN MM		FILE NAME:	
NAME	DATE	1400 Diameter Sewage Ejector Pump Station	
DRAWN SB	30/07/2024		
CHECK RP			
TOLERANCES: ANGULAR: ± 0.5		MATERIAL: Virgin LLDPE	
DIMENSIONAL PLACE ± 0.5		FINISH: Matt Black	
TWO DECIMAL PLACE ± 0.1		REV:	
SHEET 1 OF 1		POLYTECH	