



Certificate of Accreditation

Sewage Management Facility

Sewage Ejection Pump Station

This Certificate of Accreditation is issued by the Secretary of the NSW Ministry of Health pursuant to section 41(1) of the Local Government (General) Regulation 2021.

Manufacturer: *BioSeptic Pty Ltd t/a BioSeptic*

Of: *67 Smeaton Grange Road
Smeaton Grange, NSW, 2567*

The Sewage Ejection Pump Station as described in the following Schedule have been accredited as a sewage management facility for use in single domestic premises in NSW.

Kishen Lachireddy

*A/Director, Environmental Health
for Secretary (delegation PH335)*

Issued: 20 / 11 / 2023

Certificate No: SEPS016

Expires: 31 December 2028

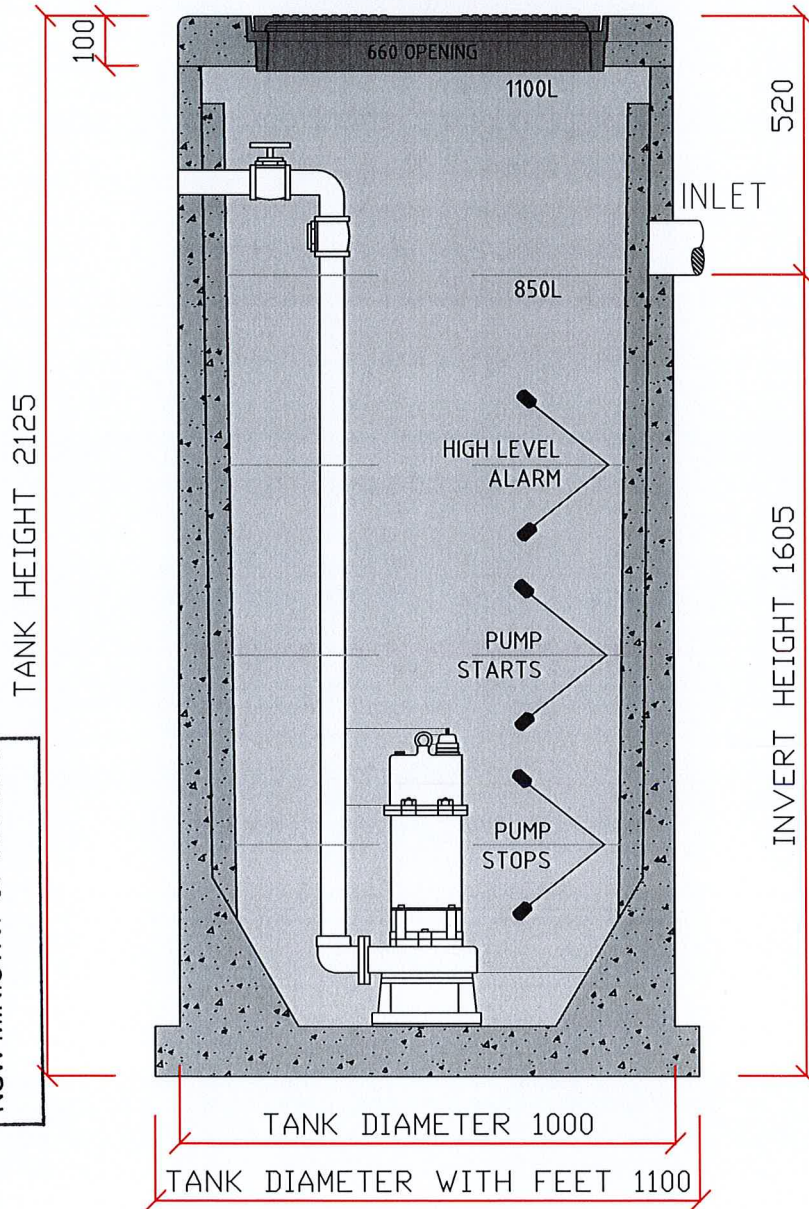
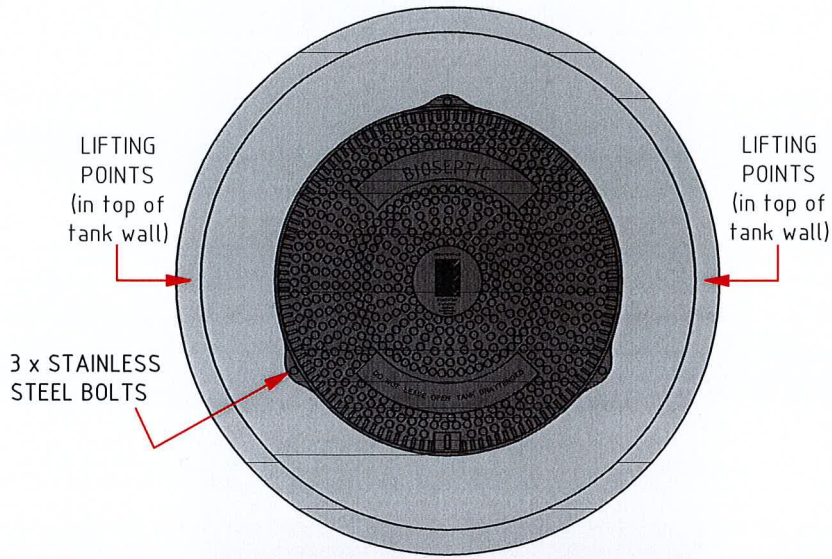


Accreditation Schedule

The Certificate of Accreditation applies to the following sewage ejection pump station.

The BioSeptic 1100 litre precast concrete pump station consists of:

- A vertical axis type cylindrical precast concrete pump well and lid, and fitted with a composite resin sealed and lockable access cover;*
- A Grundfos centrifugal grinder pump (or equivalent), fitted with start, stop and high level flow switches;*
- A 32 mm or 40 mm diameter PVC pressure discharge pipe fitted with a gate valve and check valve on the outlet of the grinder pump.*
- An audible/visible alarm system with mute facility.*



ACCREDITED
 20 NOV 2023
 NSW MINISTRY OF HEALTH

BIOSEPTIC PTY. LTD.
 67 SMEATON GRANGE AVENUE
 1-5 ANZAC AVENUE
 SMEATON GRANGE ROAD
 NARELLAN, NSW 2567
 email: sales@bioseptic.com.au
 web address: www.bioseptic.com.au
 Ph: 4629 6666 Fax: 4629 6655

NSW HEALTH
 CERTIFICATION OF ACCREDITATION
 003-21556

TANK MANUFACTURED BY
 BIOSEPTIC PTY LTD AND
 ACCREDITED TO
 AS/NZS 1546.1-2008



Concrete fc:	40Mpa @ 28 days
PVC fitting:	Ø100mm
Mass:	1.5 tonnes
Lid:	F72 mesh
Base and Walls:	Fibre steel
Date:	5 September 2013

PUMP STATION
 1100L