



# Certificate of Accreditation

## Sewage Management Facility

### Sewage Ejection Pump Station

*This Certificate of Accreditation is issued by the Secretary of the NSW Ministry of Health pursuant to Clause 41(1) of the Local Government (General) Regulation 2021.*

**System:**            *Rotoplas SEPS Series*

**Manufacturer:**   *Rotoplas (Aust) Pty Ltd*

**Of:**                    *8 Prince of Wales Ave, Unanderra, NSW, 2526*  
*PO Box 117 Unanderra, NSW, 2526*

*The Rotoplas SEPS Series as described in the attached Schedule has been accredited as sewage management facilities for use in single domestic premises in NSW. The pump wells are manufactured to the Australian / New Zealand Standard AS/NZS1546.1:2008 "On-site domestic wastewater treatment units - septic tanks".*

*P. Byfield*

*A/Director, Environmental Health  
for Secretary (delegation PH335)*

**Issued:** *3 / April / 2023*

**Certificate No:** *SEPS017*

**Expires:** *31 December 2025*



## Accreditation Schedule

*The Certificate of Accreditation applies to the following range of sewage ejection pump stations in accordance with the attached plans.*

*The Rotoplas sewage ejection pump station is available in nine (9) models with the following capacities:*

- 580 mm diameter x 700 mm deep 100 litres*
- 730 mm diameter x 875 mm deep 250 litres*
- 730 mm diameter x 1375 mm deep 350 litres*
- 1150 mm diameter x 1100 mm deep 700 litres*
- 1150 mm diameter x 1660 mm deep 1200 litres*
- 1200 mm diameter x 2000 mm deep 1600 litres*
- 1200 mm diameter x 2500 mm deep 2000 litres*
- 1750 mm diameter x 2165 mm deep 3000 litres*
- 1925 mm diameter x 2500 mm deep 5000 litres*

*The Rotoplas series sewage ejection pump stations consist of:*

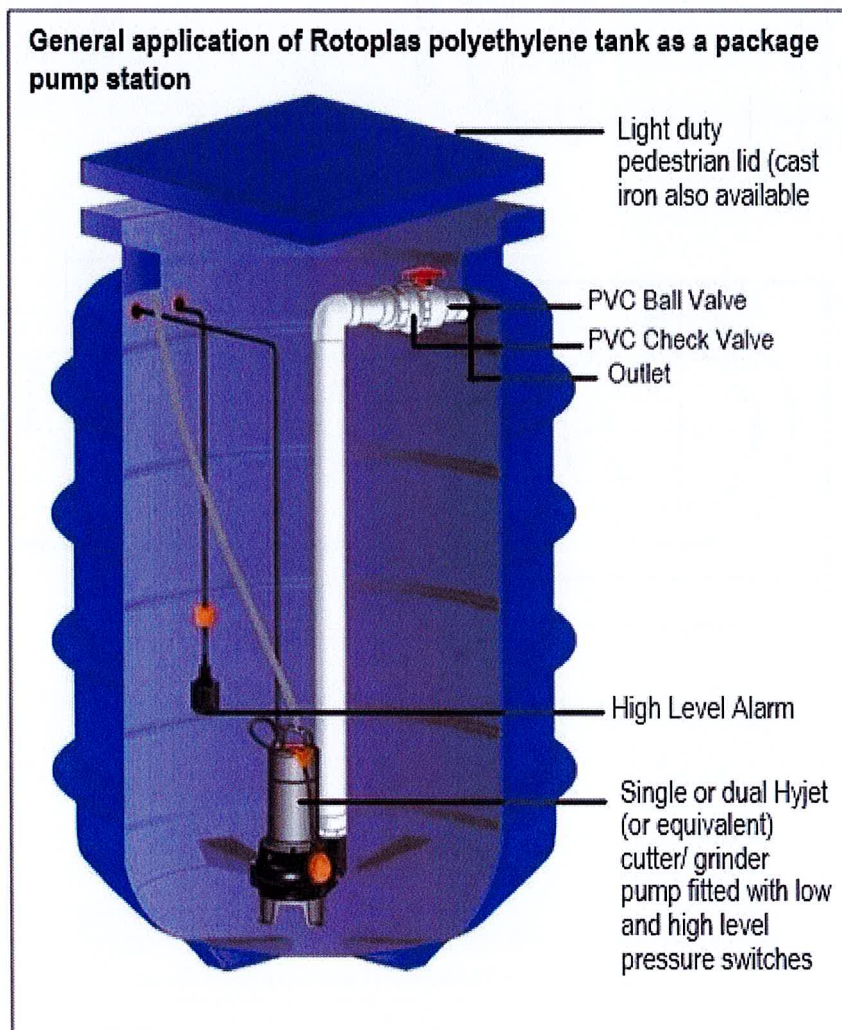
- A cylindrical roto moulded polyethylene pump well and lid, manufactured by Rotoplas (Aust) Pty Ltd, Unanderra, NSW, 2526;*
- Single or dual Hyjet cutter / grinder pump (or equivalent), fitted with low and high level pressure switches;*
- A check valve and ball valve fitted on the outlet of the grinder pump.*
- The discharge pipe is connected to either 32 mm or 50 mm diameter house pressure main to the sewer;*
- A high level alarm.*

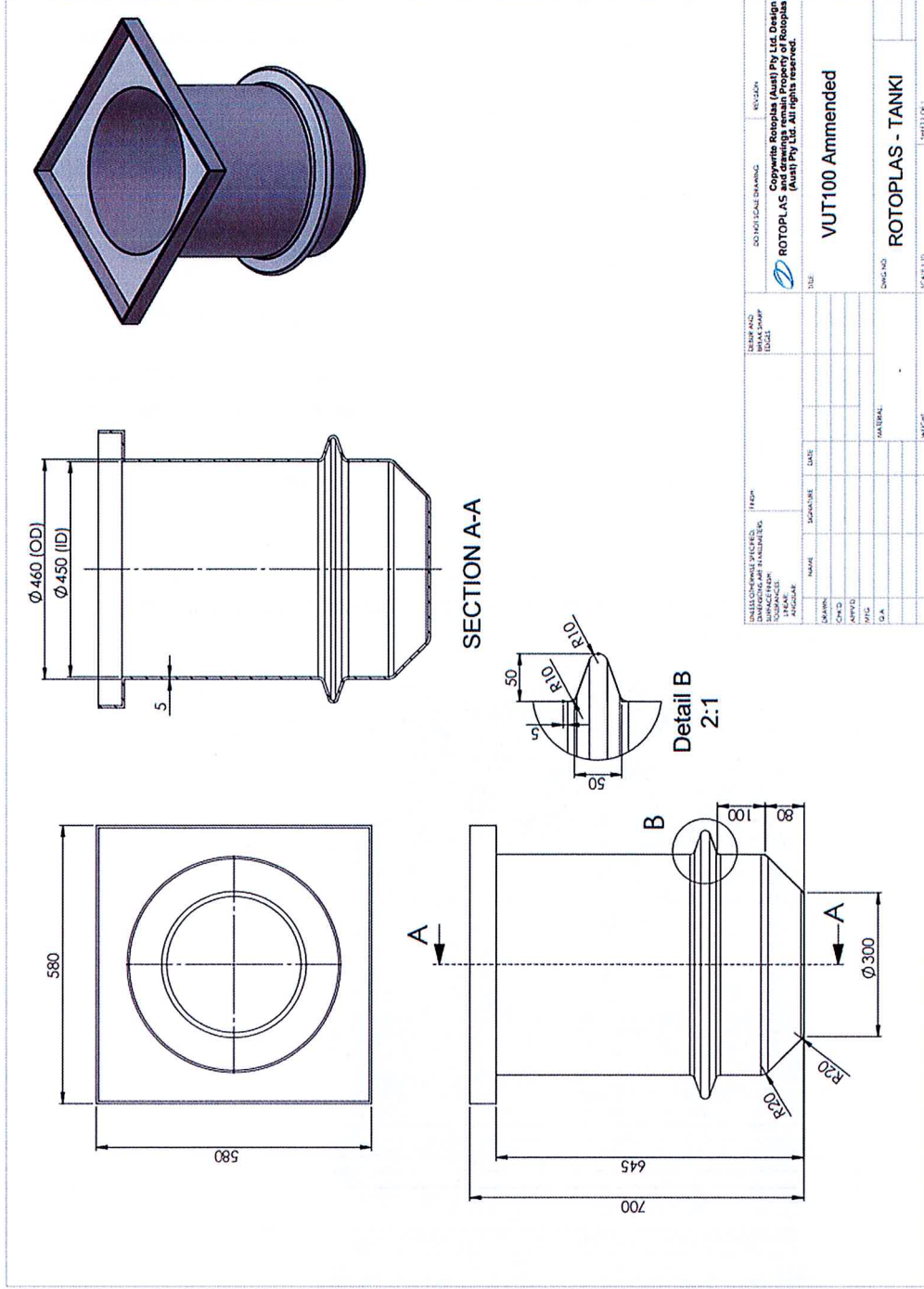
Rotoplas' Underground Tanks are available in nine (9) models in the following capacities:

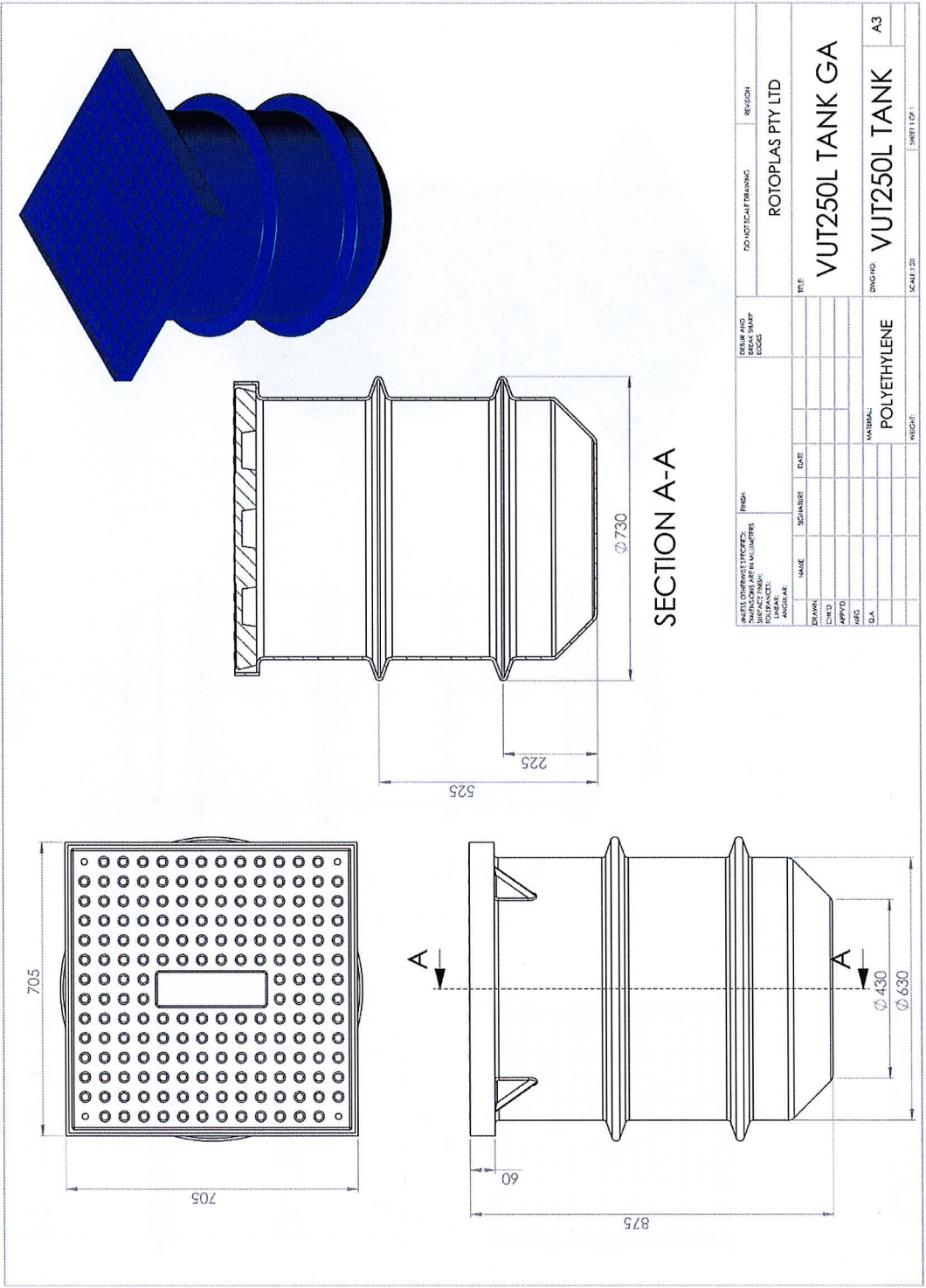
- 100 Litre: 580mm diameter x 700mm deep
- 250 Litre: 730mm diameter x 875mm deep
- 350 Litre: 730mm diameter x 1375mm deep
- 700 Litre: 1150mm diameter x 1100mm deep
- 1200 Litre: 1150mm diameter x 1660mm deep
- 1600 Litre: 1200mm diameter x 2000mm deep
- 2000 Litre: 1200mm diameter x 2500mm deep
- 3000 Litre: 1750mm diameter x 2165mm deep
- 5000 Litre: 1925mm diameter x 2500mm deep

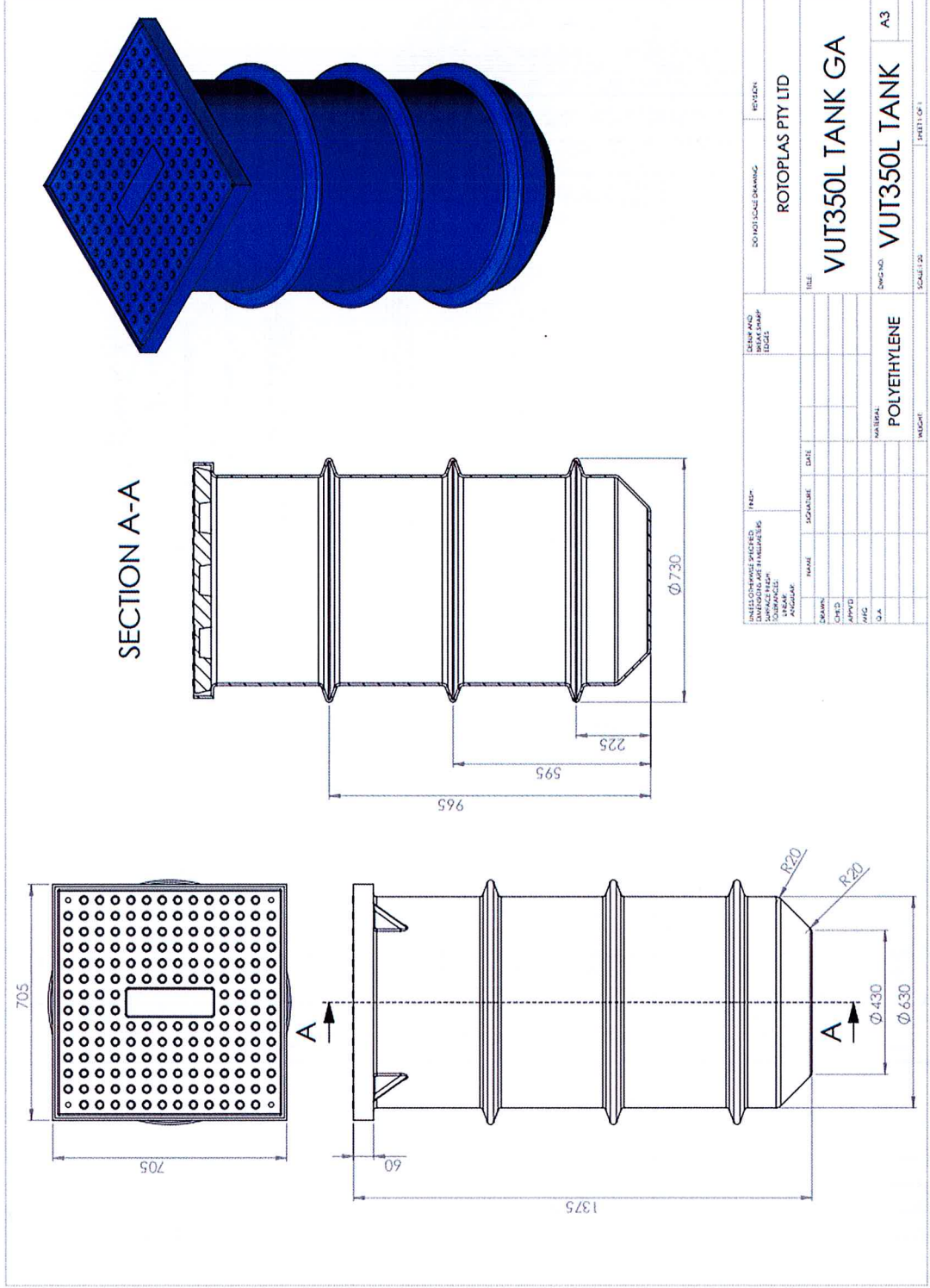
These tanks are commonly utilised as a sewage ejection pump station consisting of:

- A cylindrical roto moulded polyethylene pump well manufactured by Rotoplas (Aust) Pty Ltd
- Single or dual Hyjet (or equivalent) cutter/grinder pump, fitted with low and high level pressure switches
- A check valve and ball valve fitted on the outlet of the pump
- High level alarm

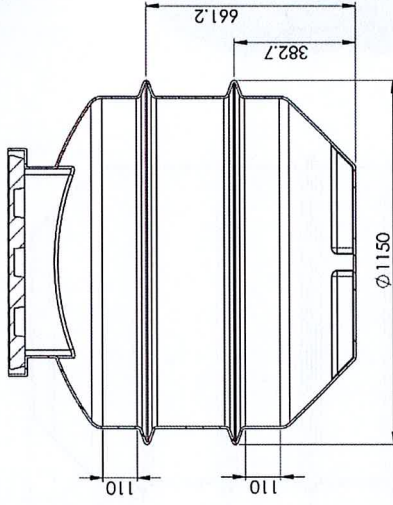
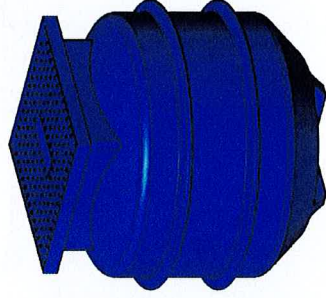
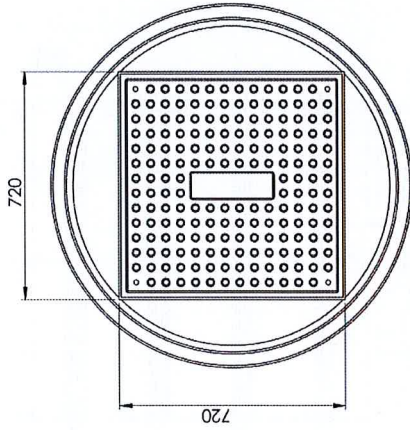




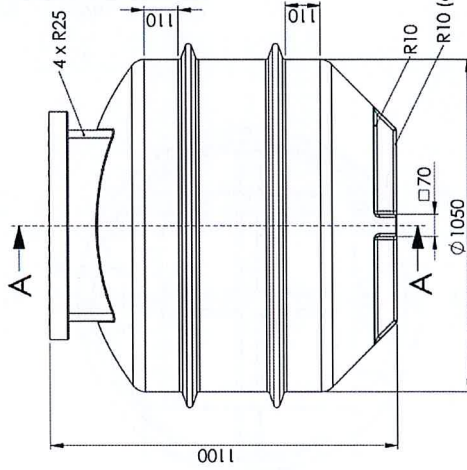




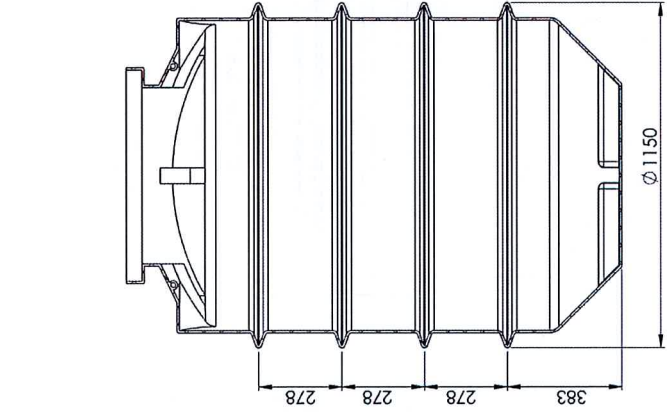
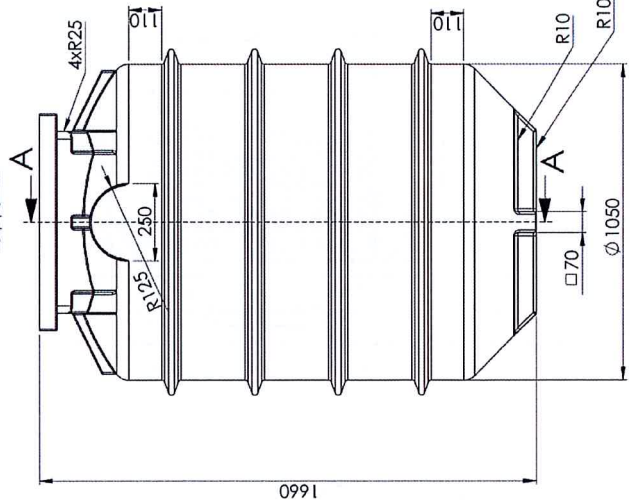
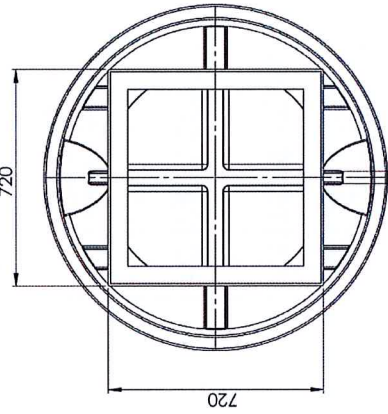
UNLESS OTHERWISE SPECIFIED, DIMENSIONS ARE IN MILLIMETERS. DIMENSIONS IN PARENTHESES ARE APPROXIMATE. DIMENSIONS IN SQUARES ARE ANGLES.		DO NOT SCALE DRAWING		REVISION
DRAWN		CHECKED		DATE
NAME		SIGNATURE		DATE
DATE		DATE		DATE
TITLE		COMP. NO.		SCALE 1:1
ROTOPLAS PTY LTD		VUT350L TANK GA		A3
MATERIAL		POLYETHYLENE		
WEIGHT				



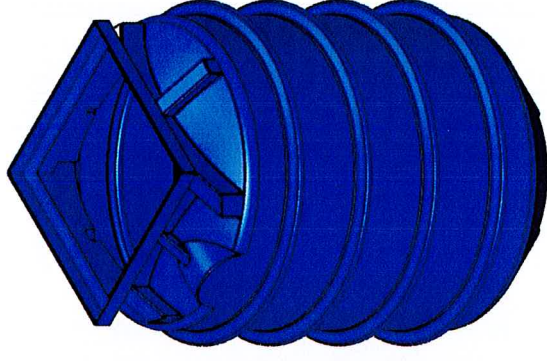
SECTION A-A  
SCALE 1 : 12



UNLESS OTHERWISE SPECIFIED: DIMENSIONS ARE IN MILLIMETERS DIMENSIONS ARE TO UNLESS OTHERWISE SPECIFIED TOLERANCES FINISH		DO NOT SCALE DRAWING		REVISION
DRAWN		NAME	SIGNATURE	DATE
CHECKED	DATE	TYPE		
APPROVED		ROTOPLAS PTY LTD		
DWG. NO.		VUT700L MOD TANK GA		
MATERIAL	POLYETHYLENE	DRAWN BY		
WEIGHT		VUT700L MOD TANK		
SCALE 1:12		SHEET 1 OF 1		
A3				



SECTION A-A  
SCALE 1 : 13



DO NOT SCALE DRAWING <b>ROTOPLAS</b> Copywrite Rotoplas (Aust) Pty Ltd. Design and drawings remain Property of Rotoplas (Aust) Pty Ltd. All rights reserved.		REVISION _____ _____ _____
TITLE <b>VUT1200L MOD TANK GA</b>	DRAWING NO. <b>ROTOPLAS - TANK1</b>	SHEET NO. 1
DESIGNER _____ CHECKED _____ DATE _____	MATERIAL <b>POLYETHYLENE</b>	WEIGHT _____
NAME _____ SIGNATURE _____ DATE _____	DIMENSIONS ARE IN MILLIMETERS SURFACE FINISH UNLESS SPECIFIED ANGLE _____	SCALE 1:20





