



# Certificate of Accreditation

## Sewage Management Facility

### Sewage Ejection Pump Station

*This Certificate of Accreditation is issued by the Secretary of the NSW Ministry of Health pursuant to Clause 41(1) of the Local Government (General) Regulation 2021.*

**System:** *Aline KPPS Polyethylene SEPS Series*

**Manufacturer:** *Aline Group Australasia*

**Of:** *2-10 Yarrunga St, Prestons, NSW, 2170*

*The Aline SEPS Series as described in the attached Schedule have been accredited as sewage management facilities for use in single domestic premises in NSW. The pump wells are manufactured to the Australian / New Zealand Standard AS/NZS1546.1:2008 "On-site domestic wastewater treatment units - septic tanks".*

  
*A/Director, Environmental Health  
for Secretary (delegation PH335)*

**Issued:** *29 / 5 / 2023*

**Certificate No:** *SEPS020*

**Expires:** *31 December 2025*



## Accreditation Schedule

*The Certificate of Accreditation applies to the following range of sewage ejection pump stations in accordance with the attached plans.*

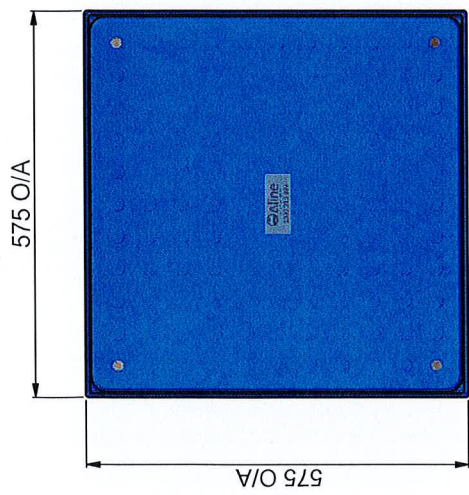
*The Aline KPPS Sewage Ejection Pump Stations consist of:*

- Moulded polyethylene pump well and lid with capacities of 100L single pump, 250L single pump, 900L single pump, 1200L dual pump, 2000L dual pump, 3000 L dual Pump and 5000L dual pump;*
- Sabre Submersible Grinder or Cutter Pumps in either single, or dual configuration as shown on the plan;*
- A Class 12 threaded BSP outlet of varying diameter;*
- A control panel with audible and visual alarm with start, stop and high level float switches.*

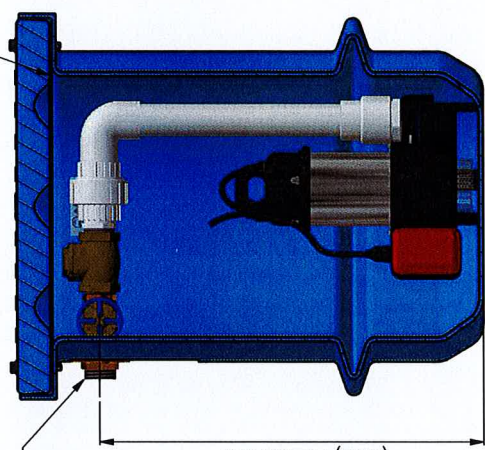
1 2 3 4 5 6

ACCESS COVER DESCRIPTION	DEPTH	PART NO :
600 x 600 CLASS B SOLID TOP	55mm	130000021
600 x 600 CLASS D SOLID TOP	100mm	130000025
600 x 600 CLASS D GRATE	55mm	130000031

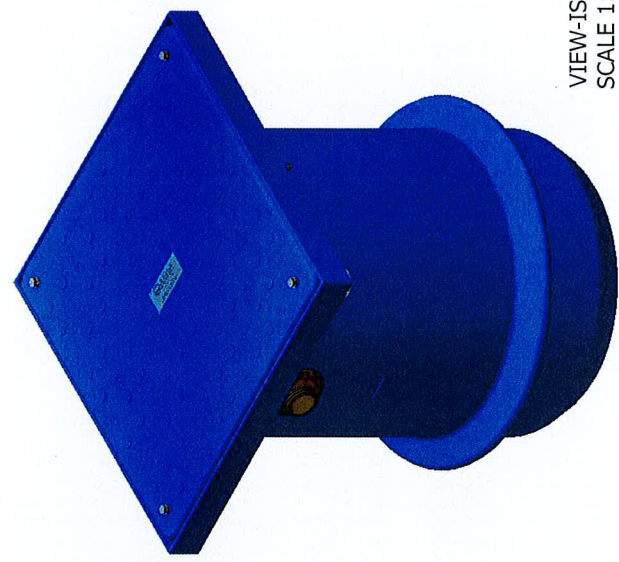
**ACCREDITED**  
 29 MAY 2023  
 NSW MINISTRY OF HEALTH



CUT-OFF LIP WHEN FITTING CAST IRON ACCESS COVER OR GRATE



SECTION A-A  
SCALE 1:8



VIEW-ISO  
SCALE 1:8

TOLERANCE: ALL DIMENSIONS +/- 10mm  
CLIENT:

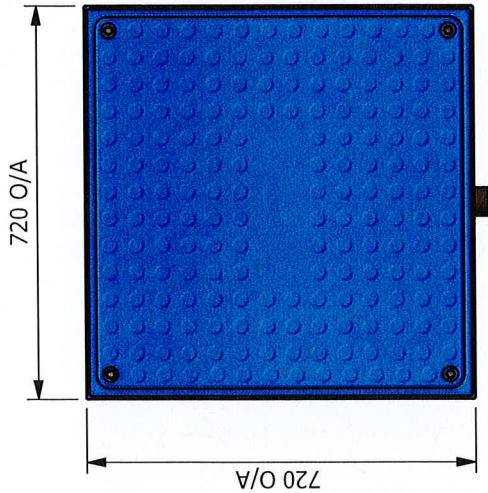
**CONFIDENTIAL** - The drawings must not be disclosed to any third party without the prior written consent of ALINE GROUP Sydney. Unauthorised disclosure may result in prosecution.  
 ALINE GROUP - This drawing is the property of ALINE GROUP ABN: 19 638 072 753 and is subject to return on demand. It is submitted for the use only in connection with the project for which it is prepared. It is not to be reproduced or copied in any form. This data must only be used in accordance with our standard terms and conditions.  
 © Copyright ALINE GROUP. We accept no responsibility for any loss or damage resulting from any person acting on this information. The details and dimensions contained in this document may change, please check with ALINE for confirmation of current specifications.

Drawn	Date
Tai Nguyen	23/07/2019
Check	Date
Verified	Date
Approved	Date
Request No.	TBC

  
**ALINE**  
 Pumping with Innovation

PROJECT :	AGA
TITLE	KWIKFLO KPSS100 POLY TANK (580D x 700H) 450 x 450 OPENING
SCALE	N.T.S
SIZE	A3
SHEET	1
REV	A
CUSTOMER CODE :	DWG No. <b>T00001</b>

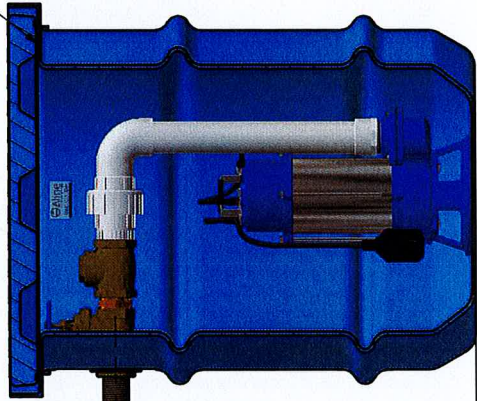
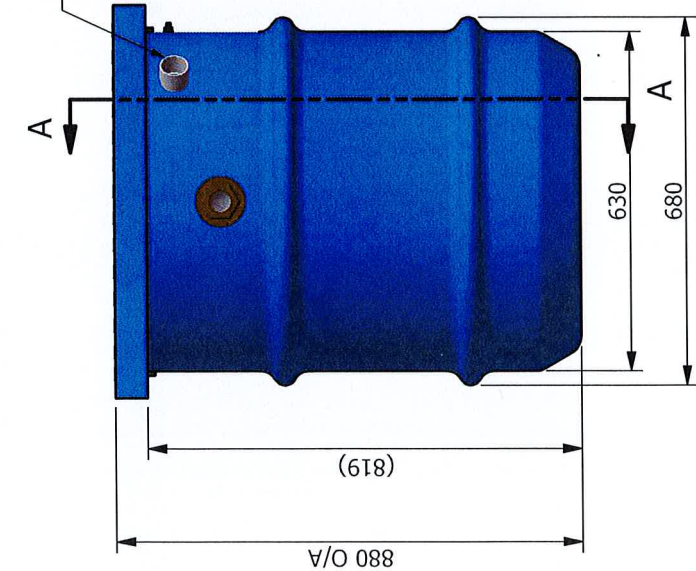
1 2 3 4 5 6



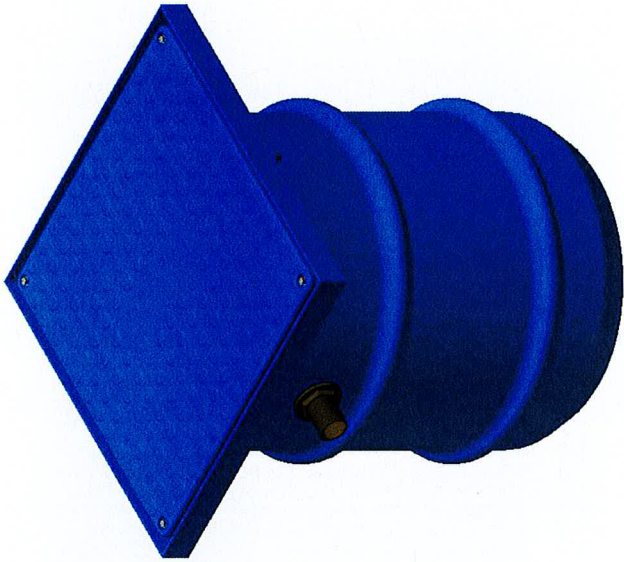
ACCESS COVER DESCRIPTION	DEPTH	PART NO :
600 x 600 CLASS B SOLID TOP	55mm	130000021
600 x 600 CLASS D SOLID TOP	100mm	130000025
600 x 600 CLASS D GRATE	55mm	130000031

**ACCREDITED**  
29 MAY 2023  
NSW MINISTRY OF HEALTH

CUT-OFF LIP WHEN FITTING CAST IRON ACCESS COVER OR GRATE



SECTION A-A  
SCALE 1 : 10



TOLERANCE: ALL DIMENSIONS +/- 10mm

CLIENT:

DISTRIBUTOR:

CONFIDENTIAL - The drawings must not be disclosed to any third parties without written permission from ALINE GROUP Sydney. ALINE GROUP - This drawing is the property of ALINE GROUP ABN: 19 538 072 753 and is subject to return on demand. It is submitted for the use only in connection with the proposal and contracts of ALINE GROUP with expressed and implied conditions. This data must only be used in accordance with our standard terms and conditions. © Copyright ALINE GROUP accepts no responsibility for any loss or damage to any person or property arising from the information. The details and dimensions contained in this document may change. Please check with ALINE for confirmation of current specifications.

Drawn	Date
Tai Nguyen	7/08/2019
Check	Date
Verified	Date
Approved	Date
Request No.	D20951

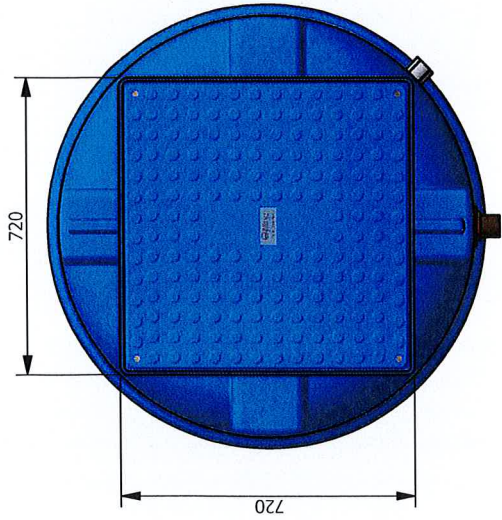
**ALine**  
Pumping with Innovation

PROJECT :

ALINE PACKAGE PUMP STATIONS

TITLE  
KWIKFLO KPPS250 POLY TANK  
(680D x 880H) 600 x 600 OPENING

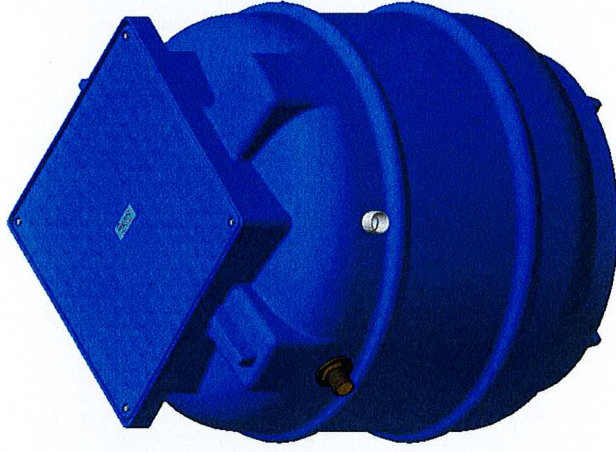
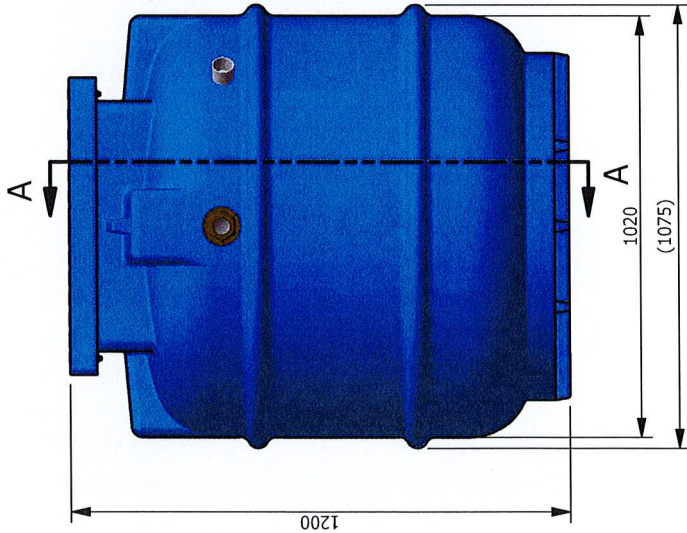
SCALE	N.T.S	SIZE	A3	SHEET	1	REV	A
CUSTOMER CODE :	DWG No. <b>T00002</b>						



ACCESS COVER DESCRIPTION	DEPTH	PART NO :
600 x 600 CLASS B SOLID TOP	55mm	13000021
600 x 600 CLASS D SOLID TOP	100mm	13000025
600 x 600 CLASS D GRATE	55mm	13000031

**ACCREDITED**  
29 MAY 2023  
NSW MINISTRY OF HEALTH

CUT-OFF LIP WHEN  
FITTING CAST IRON  
ACCESS COVER OR  
GRATE



SECTION A-A  
SCALE 1:13

TOLERANCE: ALL DIMENSIONS +/- 10mm

CLIENT:

DISTRIBUTOR:

CONFIDENTIAL - The drawings must not be disclosed to any third parties without the prior written consent of ALINE GROUP Sydney. Any breach of this condition may result in prosecution.  
ALINE GROUP: This drawing is the property of ALINE GROUP AEN: 19 638 072 753 and is subject to return on demand. It is submitted for the use only in connection with the proposal and contracts of ALINE GROUP with the expressed understanding that it is not to be used for any other purpose. This data must only be used in accordance with our standard terms and conditions.  
© Copyright  
ALINE GROUP accepts no responsibility for any loss or damage of any kind, including consequential loss or damage, arising from the use of the drawings contained in this document may change. Please check with ALINE for confirmation of current specifications.

Drawn	Date
Tai Nguyen	5/04/2019
Check	Date
Verified	Date
Approved	Date
Request No.	D20951

**ALine**  
Pumping with Innovation

PROJECT :

ALINE PACKAGE PAUMP STATIONS

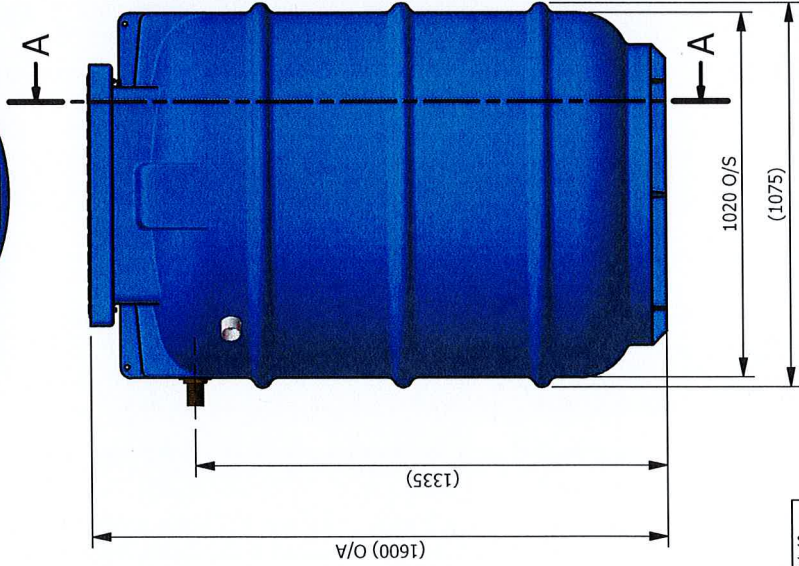
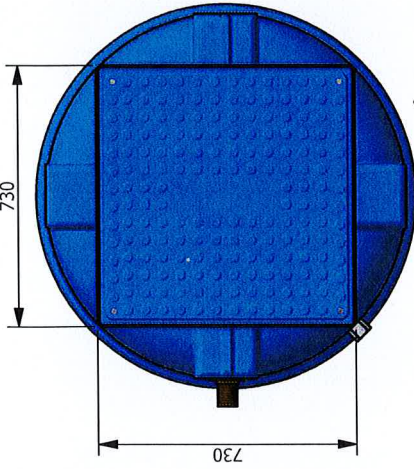
TITLE  
KWIKFLO KPPS900 POLY TANK  
(1075D X 1200) WITH 600 X 600 OPENING

SCALE	N.T.S	SIZE	A3	SHEET	1	REV	A
CUSTOMER CODE :				DWG No.	<b>T00003</b>		

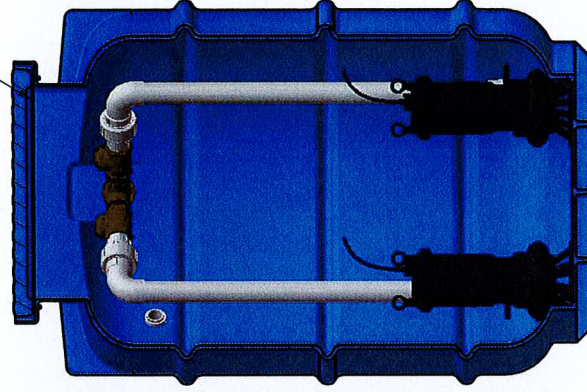
ACCESS COVER DESCRIPTION	DEPTH	PART NO :
600 x 600 CLASS B SOLID TOP	55mm	130000021
600 x 600 CLASS D SOLID TOP	100mm	130000025
600 x 600 CLASS D GRATE	55mm	130000031

**ACCREDITED**  
29 MAY 2023  
NSW MINISTRY OF HEALTH

CUT-OFF LIP WHEN FITTING CAST IRON ACCESS COVER OR GRATE



A-A ( 1 : 15 )



TOLERANCE: ALL DIMENSIONS +/- 10mm

CLIENT:

DISTRIBUTOR:

CONFIDENTIAL - The drawings must not be disclosed to any third parties without written permission from ALINE GROUP Sydney. This drawing is the property of ALINE GROUP. ALINE GROUP ABN: 19 539 072 753 and is subject to return on demand. It is submitted for the use only in connection with the proposal and contracts of ALINE GROUP with the expressed understanding that it is not to be used for any other purpose. This data must only be used in accordance with our standard terms and conditions. © Copyright ALINE GROUP. ALINE GROUP accepts no responsibility for any loss or damage caused by the use of this drawing for any purpose other than that for which it was intended. The details and dimensions contained in this document may change. Please check with ALINE for confirmation of current specifications.

Drawn	Date
Tai Nguyen	5/04/2019
Check	Date
Verified	Date
Approved	Date
Request No.	D20951

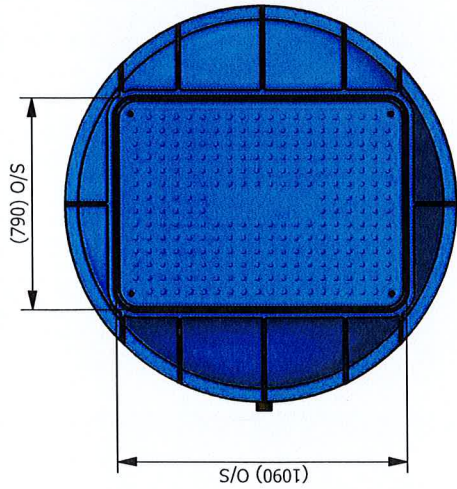


PROJECT :

AGA

TITLE  
KWIKFLO KPPS1200 POLY TANK  
(1075D x 1600H) WITH 600X600 OPENING

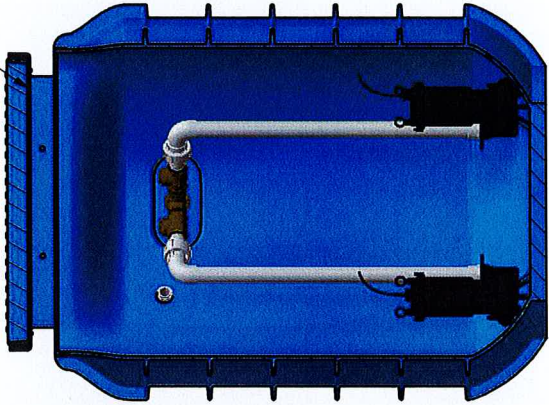
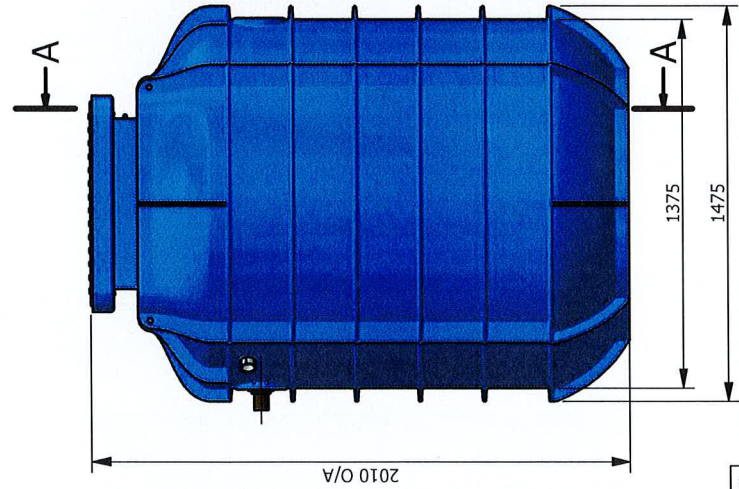
SCALE	N.T.S	SIZE	A3	SHEET	1	REV	A
CUSTOMER CODE :						DWG No. <b>T00004</b>	



ACCESS COVER DESCRIPTION	DEPTH	PART NO :
600 x 900 CLASS B SOLID TOP	55mm	130000022
600 x 900 CLASS D SOLID TOP	100mm	130000026
600 x 900 CLASS D GRATE	55mm	130000032

**ACCREDITED**  
29 MAY 2023  
NSW MINISTRY OF HEALTH

CUT-OFF LIP WHEN FITTING CAST IRON ACCESS COVER OR GRATE



A-A ( 1 : 20 )



TOLERANCE: ALL DIMENSIONS +/- 10mm

CLIENT:

DISTRIBUTOR :

CONFIDENTIAL - The drawings must not be disclosed to any third parties without the prior written permission of ALINE GROUP Sydney. ALINE GROUP: This drawing is the property of ALINE GROUP ABN: 19 538 072 553 and is subject to return on demand. It is submitted for the use only in connection with the proposal and contract of ALINE GROUP. All rights reserved. This data must only be used in accordance with our standard terms and conditions. © Copyright ALINE GROUP. ALINE GROUP accepts no responsibility for any loss or damage of any kind arising from the use of these drawings. The details and dimensions contained in this document may change. Please check with ALINE for confirmation of current specifications.

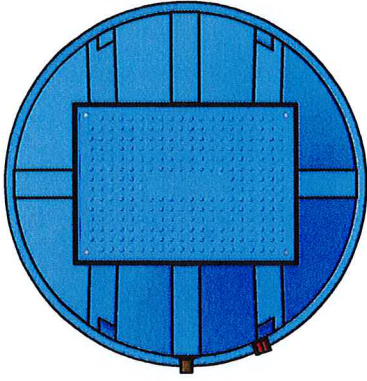
Drawn	Date
Tai Nguyen	8/09/2019
Check	Date
Verified	Date
Approved	Date
Request No.	

**ALine**  
Pumping with Innovation

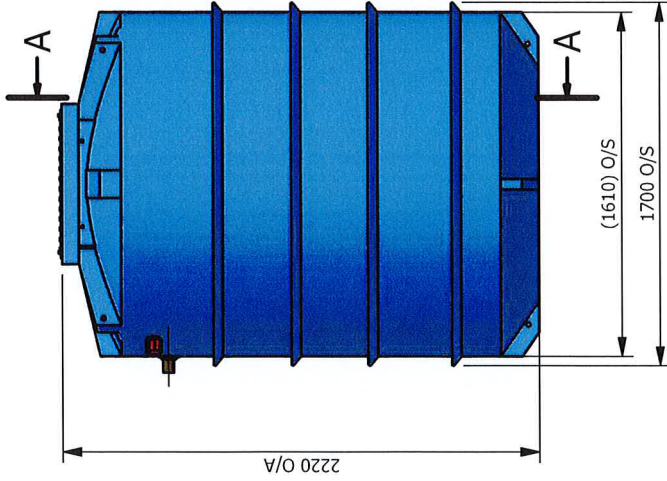
PROJECT :		AGA	
TITLE		KWIKFLO KPPS2000 POLY TANK (1475D x 2010H) WITH 600 x 900 OPENING	
SCALE	N.T.S	SIZE	A3
CUSTOMER CODE :	DWG No.		T00005
	SHEET	1	REV
			A

**ACCREDITED**  
 29 MAY 2023  
 NSW MINISTRY OF HEALTH

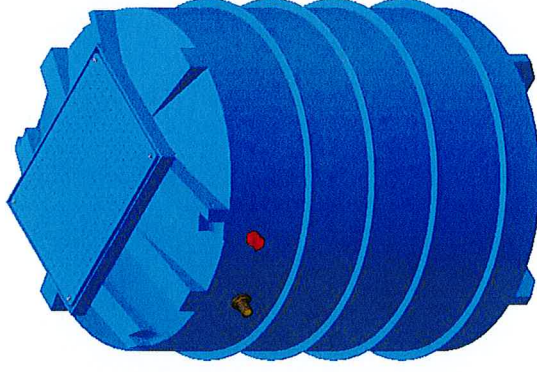
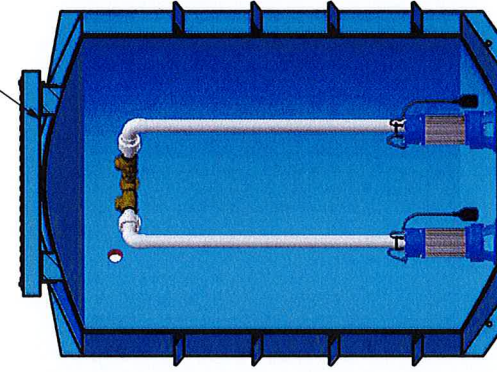
ACCESS COVER DESCRIPTION	DEPTH	PART NO :
600 x 900 CLASS B SOLID TOP	55mm	130000022
600 x 900 CLASS D SOLID TOP	100mm	130000026
600 x 900 CLASS D GRATE	55mm	130000032



CUT-OFF LIP WHEN  
 FITTING CAST IRON  
 ACCESS COVER OR  
 GRATE



A-A ( 1 : 25 )



TOLERANCE: ALL DIMENSIONS +/- 10mm

CLIENT:

DISTRIBUTOR :

CONFIDENTIAL - The drawings must not be disclosed to any third parties without written permission from ALINE GROUP Sydney. Unauthorised disclosure may result in prosecution. All rights reserved. ALINE GROUP ABN 19 538 072 755 and is subject to our standard terms and conditions. It is submitted for the use only in connection with the proposal and contracts of ALINE GROUP with the expressed conditions that it is not to be reproduced or copied in any form, in whole or in part, without the prior written consent of ALINE GROUP. © Copyright ALINE GROUP accepts no responsibility for any loss or damage resulting from any person acting on this information. The details and dimensions contained in this document may change, without notice, without ALINE Group's confirmation or consent.

Drawn	Date
Tai Nguyen	9/09/2019
Check	Date
..	
Verified	Date
Approved	Date
Request No.	



PROJECT :

ALINE PACKAGE PUMP STATIONS

TITLE  
 KWIKFLO KPSP3000 MPOLY TANK  
 (1700D x 2220H) WITH 600 x 900 OPENING

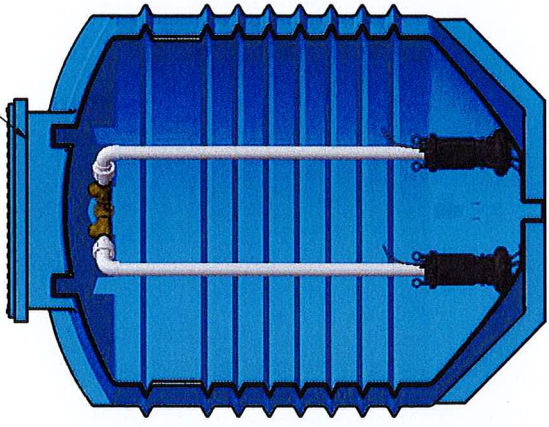
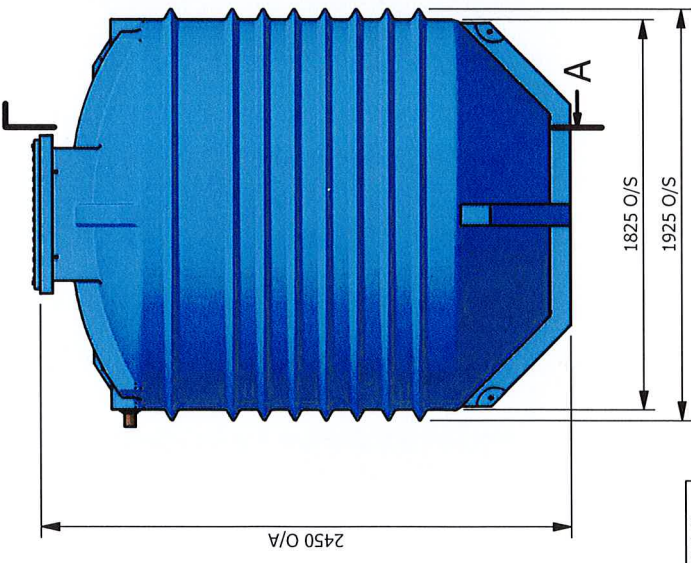
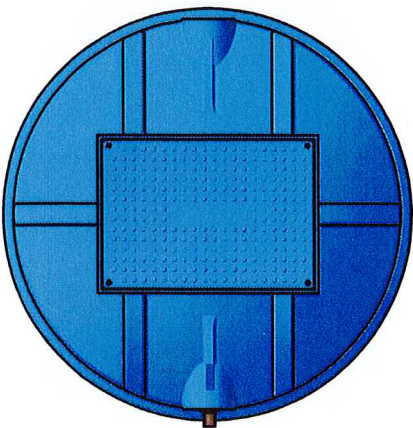
SCALE	N.T.S	SIZE	A3	SHEET	1	REV	A
CUSTOMER CODE :				DWG No.	<b>T00006</b>		



ACCESS COVER DESCRIPTION	DEPTH	PART NO :
600 x 900 CLASS B SOLID TOP	55mm	130000022
600 x 900 CLASS D SOLID TOP	100mm	130000026
600 x 900 CLASS D GRATE	55mm	130000032

**ACCREDITED**  
29 MAY 2023  
NSW MINISTRY OF HEALTH

CUT-OFF LIP WHEN  
FITTING CAST IRON  
ACCESS COVER OR  
GRATE



A-A ( 1:25 )



TOLERANCE: ALL DIMENSIONS +/-10mm

CLIENT:

DISTRIBUTOR :

CONFIDENTIAL - The drawings must not be disclosed to any third parties without written permission from ALINE GROUP Sydney. Unauthorised disclosure may result in prosecution. © Copyright ALINE GROUP ABN 19 538 072 753 and is subject to return on demand. It is submitted for the use only in connection with the proposal and contracts of ALINE GROUP with the expressed conditions that it is not to be reproduced or copied in any form, by any means, without the prior written consent of ALINE GROUP. © Copyright ALINE GROUP accepts no responsibility for any loss or damage resulting from any person acting on this information. The details and dimensions contained in this document may change, without notice, without ALINE GROUP's confirmation or consent.

Drawn	Date
Tai Nguyen	30/08/2019
Check	Date
..	
Verified	Date
Approved	Date
Request No.	



PROJECT :

ALINE PACKAGE PUMP STATIONS

TITLE  
KWIKFLOW KPSS5000 POLY TANK  
(1925D x 2450H) WITH 600 x 900 OPENING

SCALE	N.T.S	SIZE	A3	SHEET	1	REV	A
CUSTOMER CODE :		DWG No.		<b>T00007</b>			