



Certificate of Accreditation

Sewage Management Facility

Sewage Ejection Pump Station

This Certificate of Accreditation is issued by the Secretary of the NSW Ministry of Health pursuant to Section 41(1) of the Local Government (General) Regulation 2021.

System: *Polymaster 700L, 1000L and 1300L SEPS*

Manufacturer: *Polymaster Pty Ltd*

Of: *161 Karinie Street, Swan Hill, VIC, 3585*

The Polymaster 700L, 1000L and 1300L SEPS as described in the attached Schedule have been accredited as sewage management facilities for use in single domestic premises in NSW. The pump well is manufactured to the Australian / New Zealand Standard AS/NZS 1546.1:2008 On-site domestic wastewater treatment units - septic tanks.

*Director, Environmental Health
for Secretary (delegation PH335)*

Issued: *11/03/2024*

Certificate No: *SEPS021*

Expires: *31 December 2026*



Accreditation Schedule

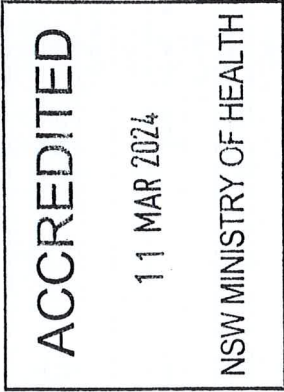
The Certificate of Accreditation applies to the Polymaster 700L, 1000L and 1300L sewage ejection pump station in accordance with the attached plans.

The Polymaster 700L, 1000L and 1300L sewage ejection pump stations consists of:

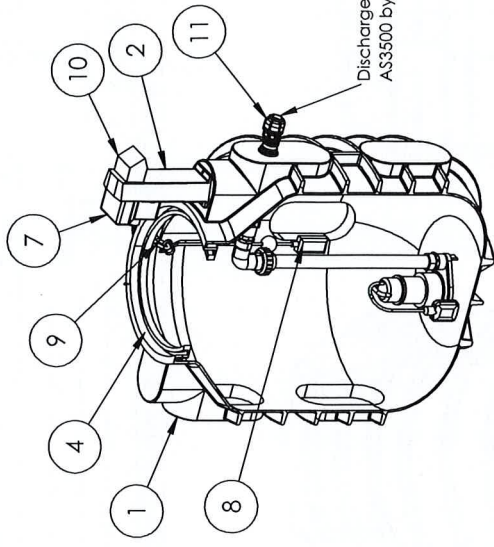
- *Pump Wells accredited to NSW Health Certificate of Accreditation STCW020*
- *A vertical axis type cylindrical rotational moulded polyethylene pump well and lid, manufactured by Polymaster;*
- *A Reefer REG105 grinder pump (or equivalent);*
- *A Reefer RVS vortex pump (or equivalent);*
- *Automatic start/stop - hi/low level float switch*
- *A flexible 40 mm diameter pressure discharge pipe fitted with a brass check valve and brass isolation valve;*
- *Electrical control box*
- *An audible and visible alarm system.*

Pump Station - 700 Litre

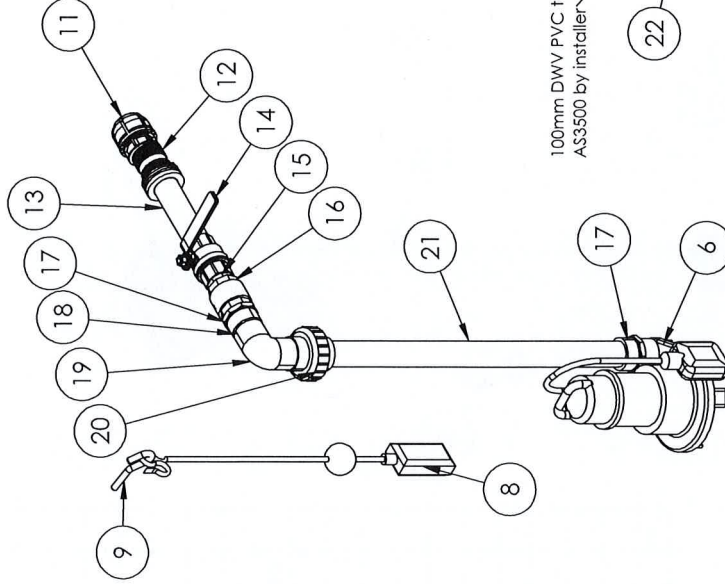
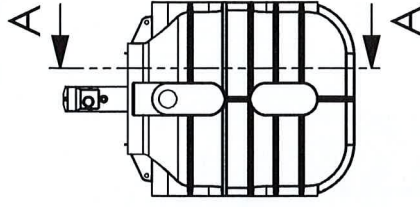
Pumps Available
 Submersible Drainage Pump: Reeve - 20036 & 20043
 Sump Pumps: Reeve - 8218, 8262 & 8232
 Grinder & Macerator Pump: Reeve - 17937



ITEM NO.	PART NUMBER	DESCRIPTION	QTY.
1	BPW700-RND	700L Pump Well	1
2	BPW-POST	Level Alarm Mounting Post	1
3	10262-04-02	Lamella Plug	1
4	U-LID	Lid for Septic Tank	1
5	ST2.9X19	Hex Head Self Tapping Screw	6
6	PW-REEFE-20036	Submersible Drainage Pump C/W Float	1
7	PW-REEFE-24379	Pump Well Liquid Level Alarm	1
8	10262-03-03	Float	1
9	10262-04-01	Float Rope Holder	1
10	PW-Power Outlet	Power Outlet	1
11	MPHMC40	40mm Poly Compression Fitting with Female BSP Thread	1
12	LHO2	Outlet 50mm M+F Brass	1
13	RISER40-200	RISER - 1 1/2 x 200mm Poly 40mm	1
14	BV1.5	Ball Valve 40mm Brass (1 1/2")	1
15	HN40	Nipple Hex 40mm Poly	1
16	CVBSW40	Check Valve Swing 40mm Brass	1
17	C1740	PVC Valve Socket 40mm	2
18	PVCPIPE-40mm	DN40 PVC Pipe Stand - 70mm Long	1
19	C1340	PVC Elbow 40mm	1
20	C2240	PVC Barrel Union 40mm	1
21	PVCPIPE-40mm	DN40 PVC Stand Pipe - 740mm Long	1
22	R10109	U100 - Uniseal	1



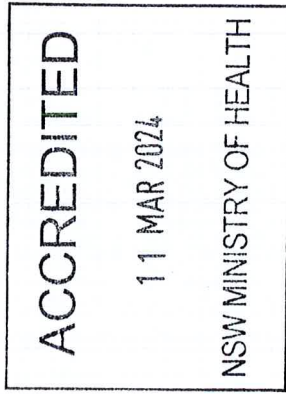
SECTION A-A



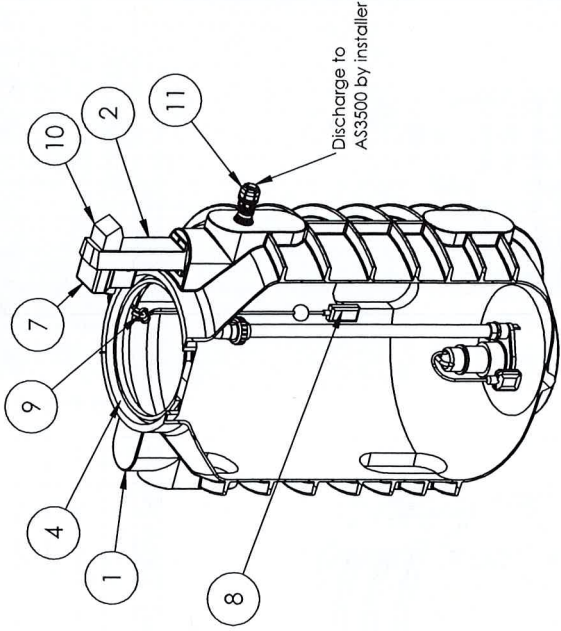
DO NOT SCALE. USE DIMENSIONS. ALL DIMENSIONS ARE IN mm

REV/DRAWN	DATE	PARTICULARS	LEVEL	DRAWING NO.	SCALE: 1:20
JS					
POLYMASTER GROUP			PUMP STATION		
161 KARINE STREET SWAN HILL, VIC 3585 Ph: (03) 5033 9000 Fx: (03) 5033 0224			na		
POLYMASTER			A3 SHEET SIZE		
© POLYMASTER GROUP			DRAWN JS		
			24/01/2024		
			Rev: A		

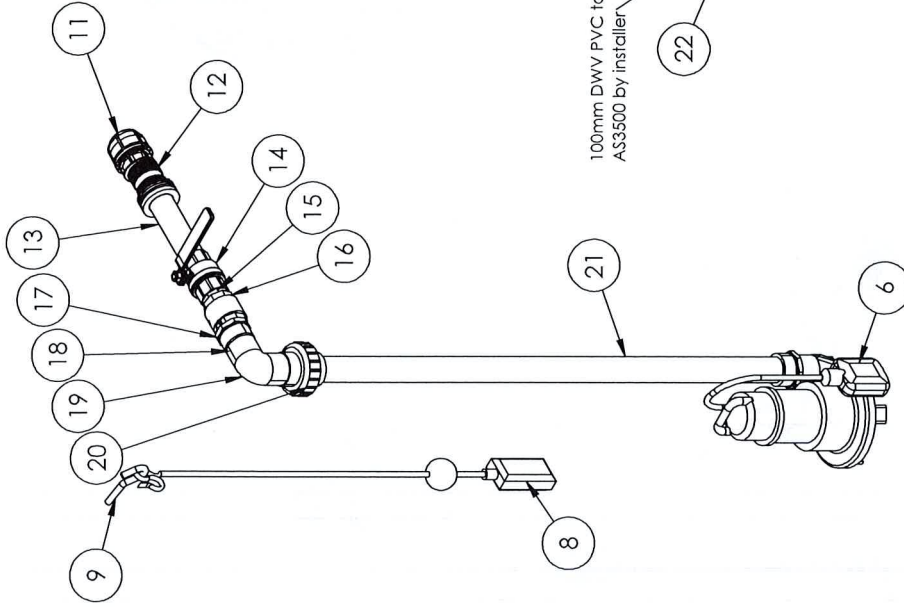
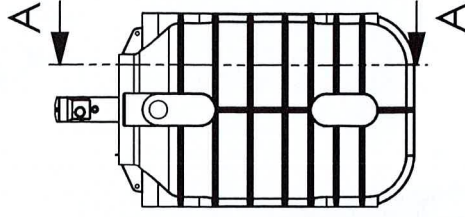
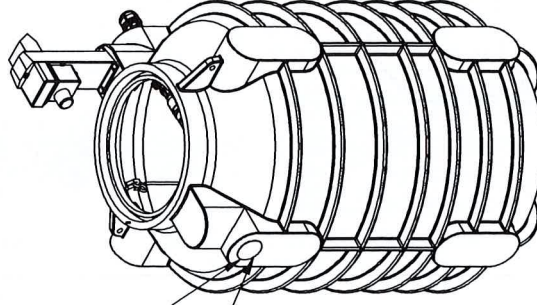
Pumps Available
 Submersible Drainage Pump: Reeve - 20036 & 20043
 Sump Pumps: Reeve - 8218, 8262 & 8232
 Grinder & Macerator Pump: Reeve - 17937



Pump Station - 1000 Litre



SECTION A-A



ITEM NO.	PART NUMBER	DESCRIPTION	QTY.
1	BPW1000-RND	1000L Pump Well	1
2	BPW-POST	Level Alarm Mounting Post	1
3	10262-04-02	Lamella Plug	1
4	U-LID	Lid for Septic Tank	1
5	s12.9x19	Hex Head Self Tapping Screw	1
6	PW-REEFE-20036	Submersible Drainage Pump C/W Float	1
7	PW-REEFE-24379	Pump Well Liquid Level Alarm	1
8	10262-03-03	Float	1
9	10262-04-01	Float Rope Holder	1
10	PW-Power Outlet	Power Outlet	1
11	MPHMC40	40mm Poly Compression Fitting with Female BSP Thread	1
12	LHO2	Outlet 50mm M+F Brass	1
13	RISER40-200	RISER - 1 1/2 x 200mm Poly 40mm	1
14	BV1.5	Ball Valve 40mm Brass (1 1/2")	1
15	HN40	Nipple Hex 40mm Poly	1
16	CVBSW40	Check Valve Swing 40mm Brass	1
17	CI1740	PVC Valve Socket 40mm	2
18	PVCPIPE-40mm	DN40 PVC Pipe Stand - 70mm Long	2
19	CI1340	PVC Elbow 40mm	1
20	C2240	PVC Barrel Union 40mm	1
21	PVCPIPE-40mm	DN40 PVC Stand Pipe - 1125mm Long	1
22	R10109	U100 - Uniseal	1

ALL TOLERANCES UNLESS OTHERWISE STATED ±10mm / ±1"

PUMP STATION

na

DESCRIPTION

PRODUCT CODE

MATERIAL

COLOUR

LEVEL

DRAWING No.

161 KARINE STREET

SWAN HILL, VIC

3585

Ph: (03) 5033 9000

Fx: (03) 5033 0224

© POLYMASTER GROUP



PARTICULARS

REV | DRAWN | DATE

JS

DATE

PARTICULARS

PARTICULARS

PARTICULARS

PARTICULARS

PARTICULARS

PARTICULARS

PARTICULARS

PARTICULARS

PARTICULARS

PARTICULARS

PARTICULARS

PARTICULARS

SCALE: 1:20

A3 SHEET SIZE

DRAWN JS

24/01/2024

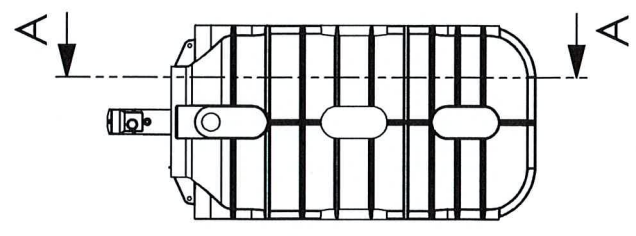
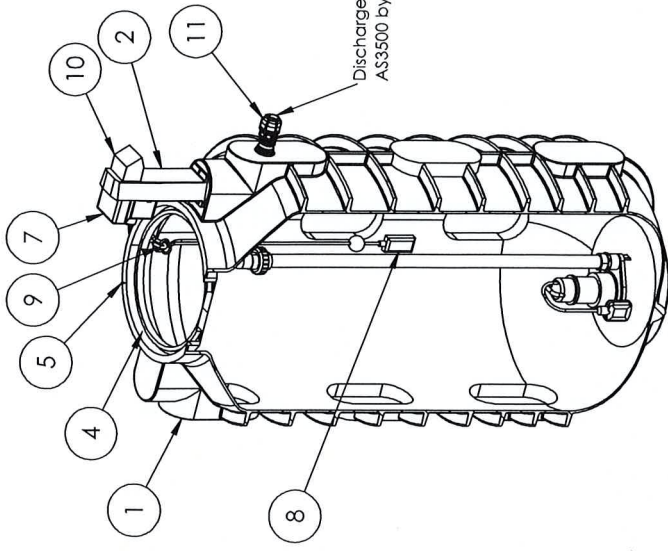
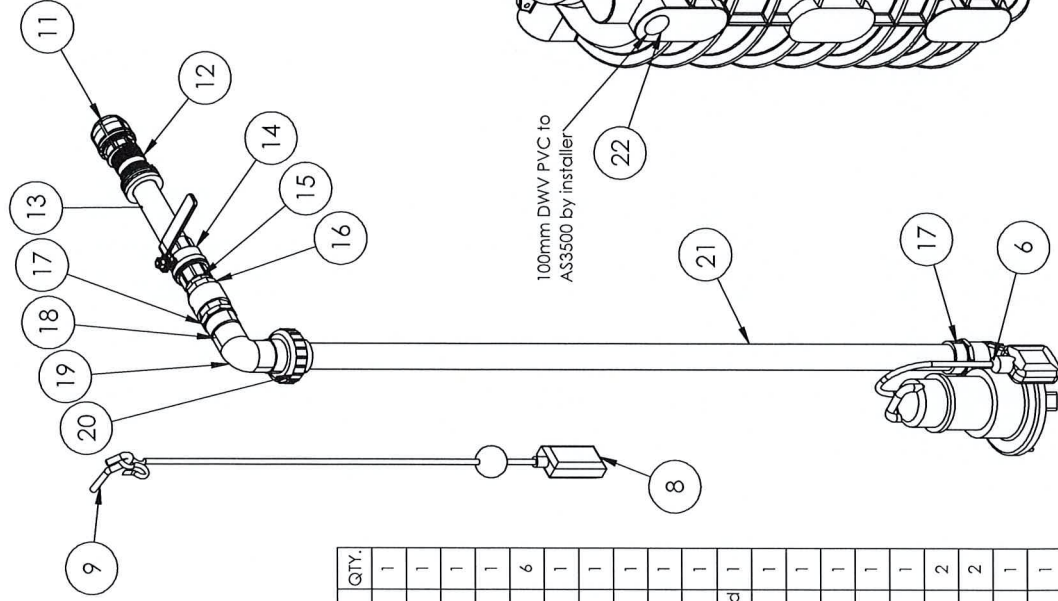
Rev: A

Pumps Available
 Submersible Drainage Pump: Reeve - 20036 & 20043
 Sump Pumps: Reeve - 8218, 8262 & 8232
 Grinder & Macerator Pump: Reeve - 17937

Pump Station - 1300 Litre

ACCREDITED
 11 MAR 2024
 NSW MINISTRY OF HEALTH

ITEM NO.	PART NUMBER	DESCRIPTION	QTY.
1	BPW1300-RND	1300L Pump Well	1
2	BPW-POST	Level Alarm Mounting Post	1
3	10262-04-02	Lamella Plug	1
4	U-LID	Lid for Septic Tank	1
5	STS2.9x19	Hex Head Self Tapping Screw	6
6	PW-REEFE-20036	Submersible Drainage Pump C/W Float	1
7	PW-REEFE-R.24379	Pump Well Liquid Level Alarm	1
8	10262-03-03	Float	1
9	10262-04-01	Float Rope Holder	1
10	PW-POWEROUTLET	Power Outlet	1
11	MPHMC40	40mm Poly Compression Fitting with Female BSP Thread	1
12	LHO2	Outlet 50mm M+F Brass	1
13	RISER40-200	RISER - 1 1/2 x 200mm Poly 40mm	1
14	BV1.5	Ball Valve 40mm Brass (1 1/2")	1
15	HN40	Nipple Hex 40mm Poly	1
16	CVBSW40	Check Valve Swing 40mm Brass	1
17	C1740	PVC Valve Socket 40mm	2
18	PVCPIPE-40mm	DN40 PVC Stand Pipe - 70mm Long	2
19	C1340	PVC Elbow 40mm	1
20	C2240	PVC Barrel Union 40mm	1
21	PVCPIPE-40mm	DN40 PVC Stand Pipe - 1600mm Long	1
22	R10109	U100 - Uniseal	1



ALL TOLERANCES UNLESS OTHERWISE STATED ±10mm / ±1°		DO NOT SCALE. USE DIMENSIONS. ALL DIMENSIONS ARE IN mm	
DESCRIPTION	PUMP STATION	SCALE: 1:20	
PRODUCT CODE	nc	A3 SHEET SIZE	
MATERIAL			
COLOUR			
LEVEL		DRAWN JS	Rev: A
DRAWING No.			

Polymaster
 161 KARINE STREET
 SWAN HILL, VIC
 3585
 Ph: (03) 5033 9000
 Fx: (03) 5033 0224
 © POLYMASTER GROUP

REV	DRAWN	DATE	PARTICULARS
JS			