

# Certificate of Accreditation

## Sewage Management Facility

### Sewage Ejection Pump Station

This Certificate of Accreditation is issued by the Secretary of the NSW Ministry of Health pursuant to Section 41(1) Local Government (General) Regulation 2021.

**System:** Everhard Sewage Ejection Pump Stations

**Manufacturer:** Everhard Industries Pty Ltd

**Of:** 454 Newman Road, Geebung Road, QLD, 4034

The Everhard Sewage Ejection Pump Stations as described in the following schedule, have been accredited as Sewage Management Facilities for use in single domestic premises in NSW. The Sewage Ejection Pump Station has been independently certified as being manufactured to Australian / New Zealand Standard "AS/NZS1546.1:2008 On-site domestic wastewater treatment units – Part 1: Septic tanks".



**Director, Environmental Health**

For Secretary (Delegation PH335)

Issued: 29/01/2025

Certificate Number: SEPS024

Expires: 31 December 2028

## Accreditation Schedule

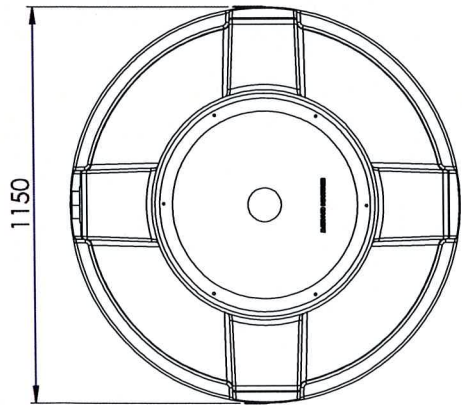
The Certificate of Accreditation applies to the following range of Everhard Sewage Ejection Pump Station models in accordance with the attached plans.

Model	Description	Size
Pump Well	Vertical axis round / globe shaped tank, roto moulded polyethylene - black.	600 L
Pump Well	Vertical axis round shaped tank, roto moulded polyethylene - black.	1000 L

The Everhard Sewage Ejection Pump Station models consist of:

- A roto moulded polyethylene pump well and risers;
- Everhard covers or covers authorised by GRAF;
- Manifolds, non-return valve, and ball valve;
- Dual Lil Rippa or Zoeller series pumps;
- Pumps operate through three float switches signaling to a Matelec HydroSTART controller with audible and visible alarm;

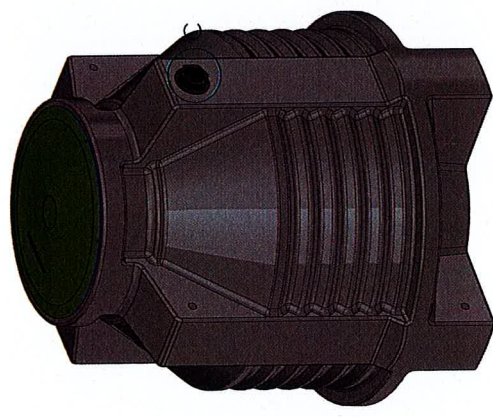




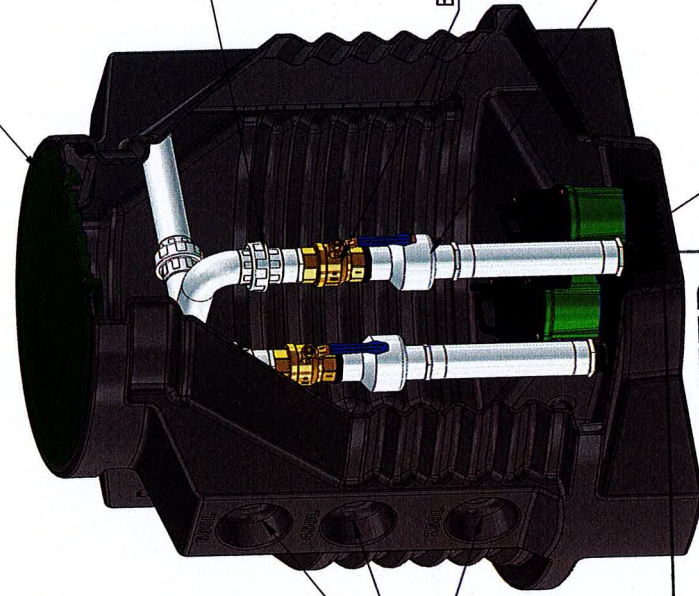
2" BSP FEMALE OUTLET



DETAIL C



LID



**BARREL UNION**  
ALLOWS FOR EASY  
REMOVAL OF PUMP FOR  
SERVICE AND  
REPLACEMENT.

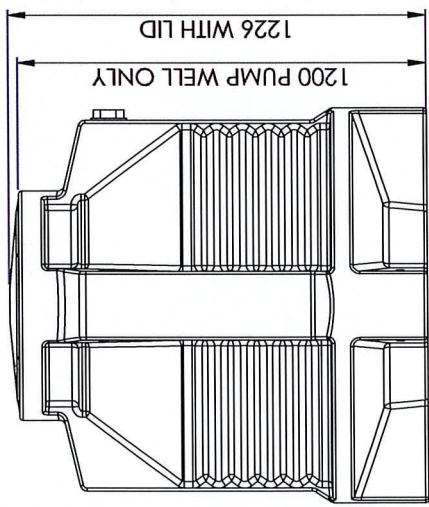
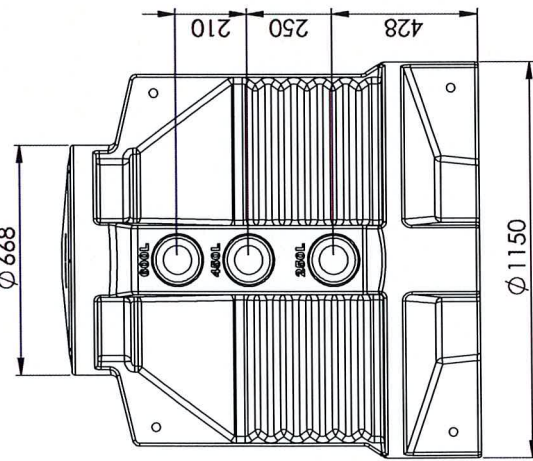
**BRASS BALL VALVE**

**CHECK VALVE**

**DUAL PUMP**

ZOELLER WU88 STORMWATER  
PUMP SHOWN. HIGH HEAD  
AND BLACK/WASTE WATER  
MODELS AVAILABLE.

**MULTIPLE INLET HEIGHTS**  
250L, 450L, 600L



**ACCREDITED**

3 FEB 2025

NSW MINISTRY OF HEALTH

EVERHARD  
INDUSTRIAL VALVES  
UNLESS OTHERWISE SPECIFIED:  
DIMENSIONS ARE IN MILLIMETERS  
TOLERANCES:  
XX = ±0.2  
XXX = ±0.5  
SURFACE FINISH:  
XX = R0.8  
XXX = R1.6

DO NOT SCALE DRAWING  
DRAWN: CHWD  
CHECKED: APPVD  
NAME: [ ]  
SIGNATURE: [ ]  
DATE: 06/06/2024  
MATERIAL: [ ]  
ESTIMATED WEIGHT: kg

PROJECT: [ ]  
TITLE: [ ]  
DWG NO: [ ]  
REVISION: [ ]  
Full Assembly Dual Pump  
SHEET 1 OF 1  
SCALE: 1:20  
PRODUCT CODE: [ ]  
A3