



Certificate of Accreditation

Sewage Management Facility

Septic Tanks & Collection Wells

This Certificate of Accreditation is issued by the Secretary of the NSW Ministry of Health pursuant to Clause 41(1) of the Local Government (General) Regulation 2005.

Manufacturer: Fuji Clean Australia Pty Ltd

*Of: 2/176 Siganto Drive, Helensvale, QLD, 4212
PO Box 1230, Oxenford, QLD, 4210*

The Fuji Clean Septic Tank /Collection Well as described in the following Schedule have been accredited as sewage management facilities for use in single domestic premises in NSW.

*A/Director, Environmental Health
for Secretary (delegation PH335)*

Issued: 25 May 2020

Certificate No: STCW008

Expires: 31 December 2025



Accreditation Schedule

*The Certificate of Accreditation applies to the following
Septic Tanks and Collection Wells*

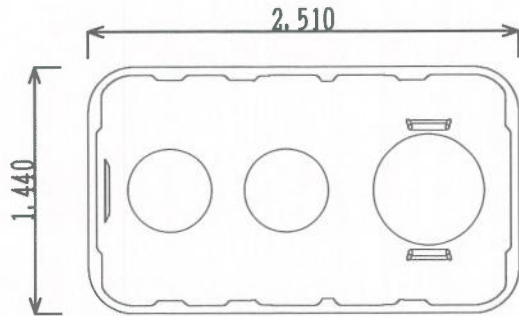
<i>Model</i>	<i>Description</i>	<i>Size</i>
<i>Septic Tank/ Collection Well</i>	<i>Horizontal axis type oval shaped glass fibre-reinforced tank. Tank, lid, access and inspection covers contain an ultra violet stabilizer. Tank lid burial depth is restricted to 0 mm</i>	<i>4359 L</i>

No	Date	Change

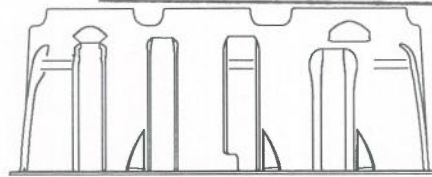
ACCREDITED

25 MAY 2020

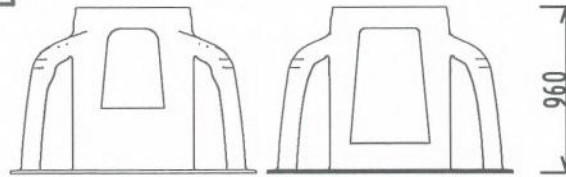
NSW MINISTRY OF HEALTH



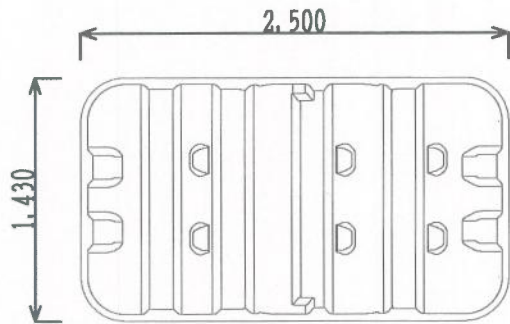
< Top View >



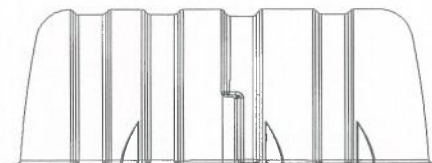
< Side View (long side) >



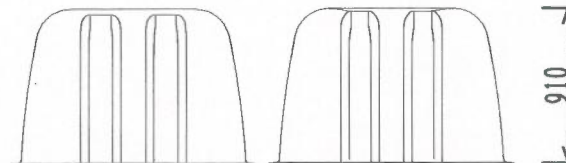
< Side View (short side) >



< Top View >



< Side View (long side) >



< Side View (short side) >

FujiClean ACE - Shell
Fuji Clean Co., Ltd.

Page No.

B1000

Scale

検印 作成

