



Health

Certificate of Accreditation

Sewage Management Facility

Sewage Ejection Pump Station

This Certificate of Accreditation is issued by the Secretary of the NSW Ministry of Health pursuant to Clause 41(1) of the Local Government (General) Regulation 2005.

System: *XR XYLEM Series 600L, 900L, 1200L, 1500L, 2700L, 3750L, 4800L, 6500L, 8500L, & 10,000L SEPS in Single and Dual Pump Configurations*

Manufacturer: *Graf Plastics Australia Pty Ltd*

Of: *23 Success Way, Henderson, WA, 6166*

The XR XYLEM Series SEPS as described in the attached Schedule have been accredited as sewage management facilities for use in single domestic premises in NSW. The pump well is manufactured to the Australian / New Zealand Standard AS/NZS 1546.1:2008 On-site domestic wastewater treatment units - septic tanks.

*A/Director, Environmental Health
for Secretary (delegation PH335)*

Issued: 19 June 2020

Certificate No: SEPS005

Expires: 31 December 2024



Health

Accreditation Schedule

The Certificate of Accreditation applies to the following range of sewage ejection pump stations in accordance with the attached plans.

The Graf Plastics Australia XR XYLEM Series sewage ejection pump stations consist of:

- A moulded polyethylene pump well and lid, manufactured by Graf Plastics Australia Pty Ltd, of Henderson, Western Australia, with capacities of 600L, 900L, 1200L, 1500L, 2700L, 3750L, 4800L, 6500L, 8500L, & 10,000L litres;*
- XYLEM Grinder pump/s in either single or dual configuration;*
- PVC pressure discharge pipe fitted to ball type anti-syphon check valve and shut off valve on the outlet of the grinder pump. The discharge pipe is connected to either 50mm or 32mm diameter house pressure main to the sewer;*
- A control panel with audible and visual alarm with start, stop and high level float switches.*

THIS DOCUMENT IS SUPPLIED IN STRICT CONFIDENCE AND MUST NOT BE LENT, REPRODUCED OR DISCLOSED TO ANY THIRD PARTY WITHOUT THE WRITTEN CONSENT OF GRAF PLASTICS AUSTRALIA

DO NOT SCALE - IF IN DOUBT ASK

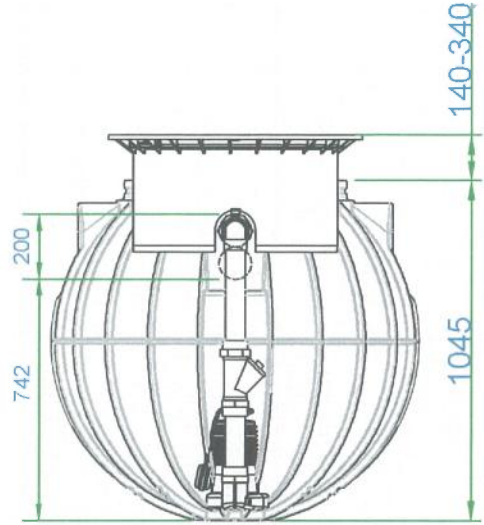
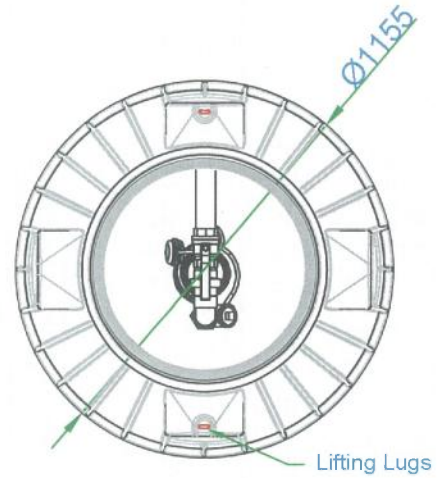
NOTES

- Proposed Graf Plastics Australia layout.
- All dimensions in mm unless otherwise stated.
- All temporary and enabling works by others.
- Nominal volume: 600L, 900L and 1200L
- Pumps used:
 - Davey Submersible Grinder Pumps D75G, D75GA, D120G, D120GA, D150G, D150GA, DT06G, DT12G, DT15G DT22G & DT37G
 - Grundfos SEG and SEG AUTODAPT Sewage Pumps 0.9 to 4.0 kW
 - Amarex N Submersible motor pumps DN 50 to 100, 50 Hz
- Controllers used:
 - Kenrahn TPS Twin Pump Starters TPS-6D-AV
 - Kenrahn LRS Level Regulator Starters LRS-6D-AV

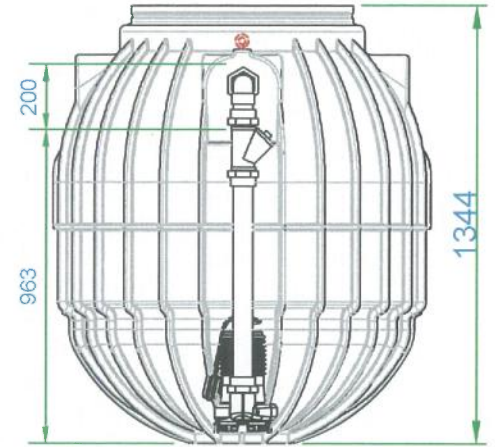
ACCREDITED

19 JUN 2020

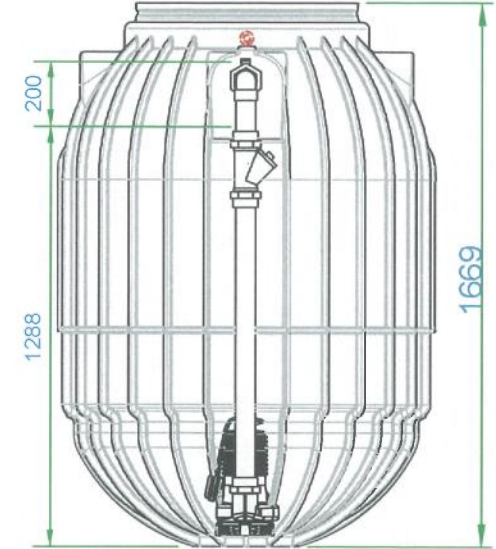
NSW MINISTRY OF HEALTH



600L



900L



1200L

P1	CHANGE ON TANK GROUP	BU	13.02.17
P0	PRELIMINARY FOR APPROVAL	BU	19.12.16
REV	DESCRIPTION	BY	DATE

GRAF GRAF Plastics Au

GRAF Plastics Australia Pty Ltd, 23 Success Way, Henderson WA 6156
 T: (08) 9437 4949 F: (08) 9437 4949
 E: info@grafplasticsaustralia.com.au www.grafplasticsaustralia.com.au

DRAWN: BU DATE: 19.12.18
 CHECKED: BU SCALE: VARIOUS@A3

PROJECT:

DESCRIPTION

**SEWATEC Lifting Stations
Single Freestanding Pump**

DRAWING No: GAR.SLS.1200.SF1 REV: P1

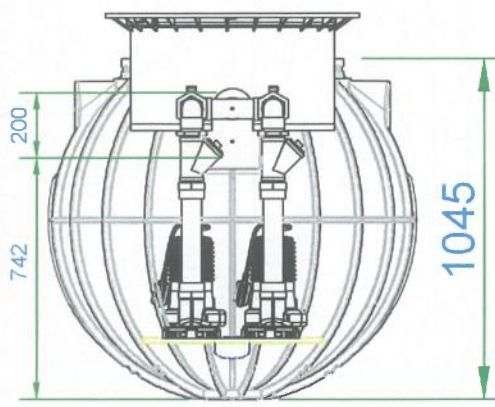
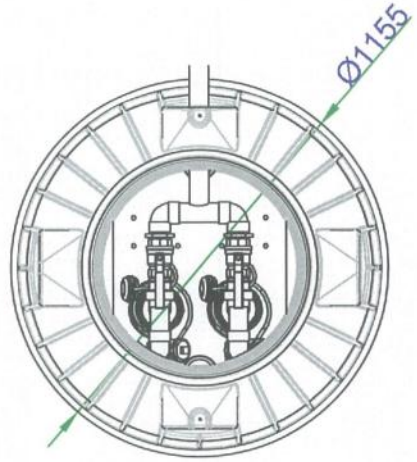
THIS DOCUMENT IS SUPPLIED IN STRICT CONFIDENCE AND MUST NOT BE LENT, REPRODUCED OR DISCLOSED TO ANY THIRD PARTY WITHOUT THE WRITTEN CONSENT OF GRAF PLASTICS AUSTRALIA

DO NOT SCALE - IF IN DOUBT ASK

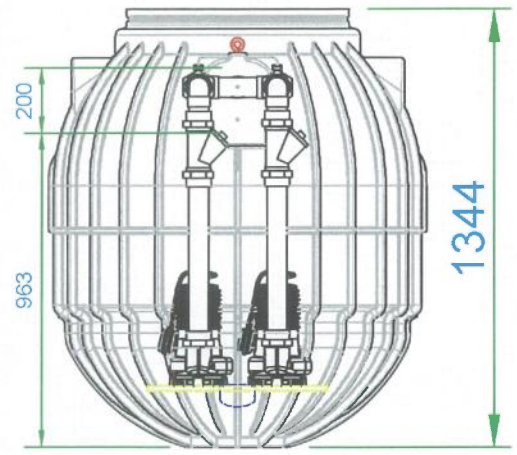
NOTES:

1. Proposed Graf Plastics Australia layout.
2. All dimensions in mm unless otherwise stated.
3. All temporary and enabling works by others.
4. Nominal volume: 600L, 900L and 1200L
5. Pumps used:
 - Davy Submersible Grinder Pumps D75G, D75GA, D120G, D120GA, D150G, D150GA, DT08G, DT12G, DT15G, DT22G & DT37G
 - Grundfos SEG and SEG AUTOADAPT Sewage Pumps 0.9 to 4.0 kW
 - Anmax N Submersible motor pumps DN 60 to 100, 50 Hz
6. Controllers used:
 - Konrahn TPS Twin Pump Starters TPS-6D-4V
 - Konrahn LRS Level Regulator Starters LRS-6D-4V

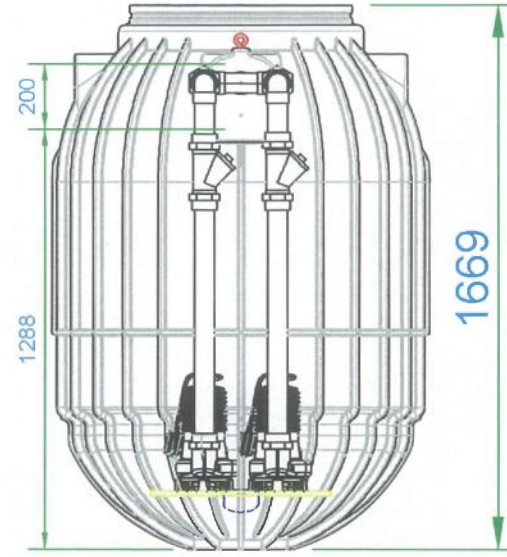
ACCREDITED
19 JUN 2020
NSW MINISTRY OF HEALTH



600L



900L



1200L

P1	CHANGE ON TANK GROUP	BU	13.02.17
P0	PRELIMINARY FOR APPROVAL	BU	24.06.16
REV	DESCRIPTION	BY	DATE

GRAF GRAF Plastics Au

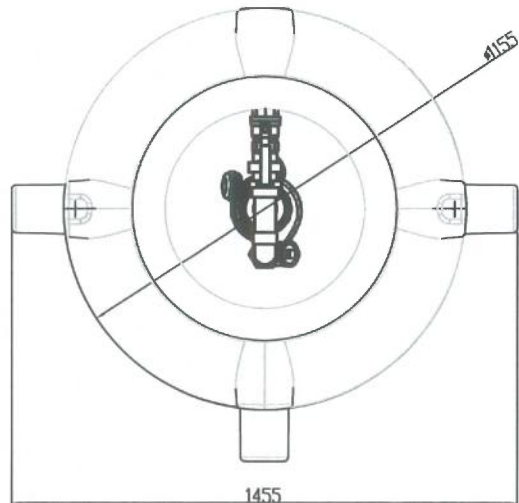
GRAF Plastics Australia Pty Ltd, 23 Success Way, Henderson WA 6106
T: (08) 9437 4949 F: (08) 9437 4949
E: info@grafplasticsaustralia.com.au www.grafplasticsaustralia.com.au

DRAWN	BU	DATE	13.02.17
CHECKED	BU	SCALE	VARIOUS@A3

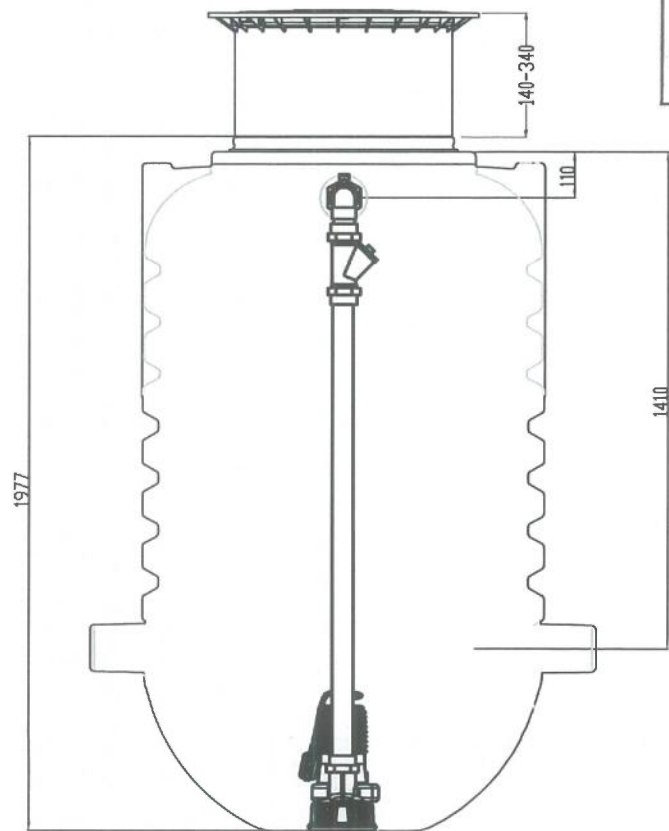
PROJECT

DESCRIPTION
**SEWATEC Lifting Stations
Dual Freestanding Pump**

DRAWING No.	REV
GAR.SLS.1200.DF1	P1



ACCREDITED
19 JUN 2020
NSW MINISTRY OF HEALTH



THIS DOCUMENT IS SUPPLIED IN STRICT CONFIDENCE AND MUST NOT BE LENT, REPRODUCED OR DISCLOSED TO ANY THIRD PARTY WITHOUT THE WRITTEN CONSENT OF GRAF AUSTRALIA
DO NOT SCALE - IF IN DOUBT ASK

NOTES:

1. Proposed Graf Plastics Australia layout.
2. All dimensions in mm unless otherwise stated.
3. Tanks are supplied with DN100 seals for Inlet
4. Tanks are supplied with 50mm outlet pipework

PO	PRELIMINARY FOR APPROVAL	LB	26.03.20
REV.	DESCRIPTION	BY	DATE

GRAF GRAF Australia

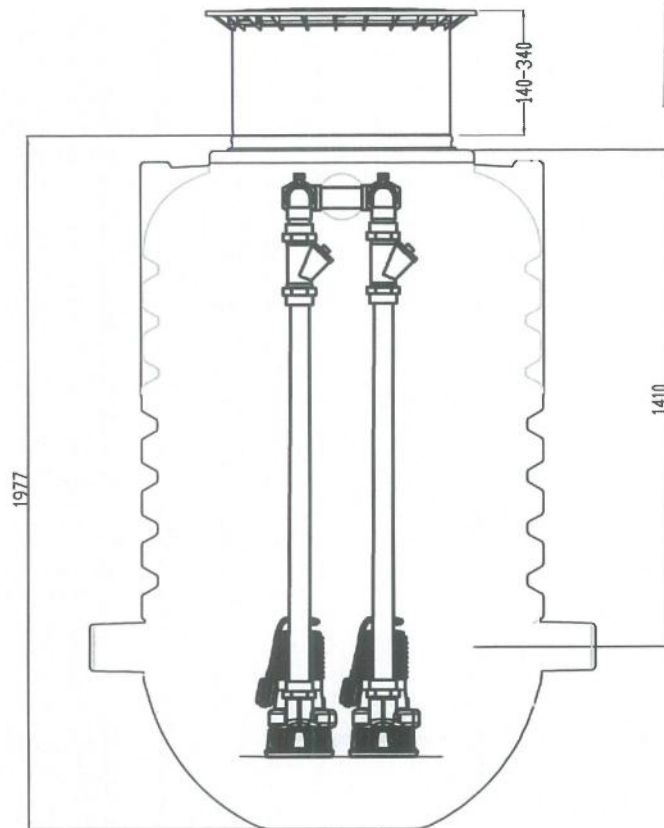
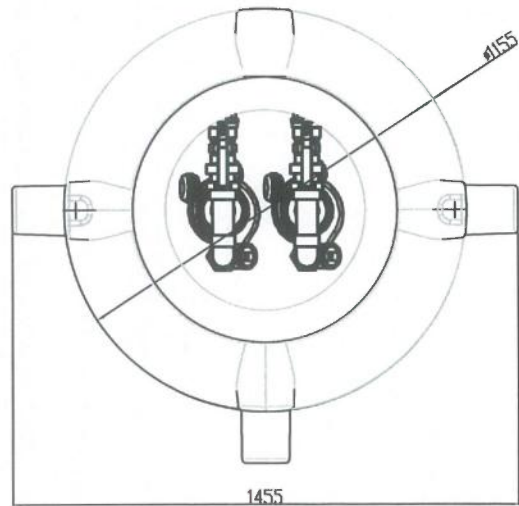
GRAF Australia Pty Ltd, 43 Sparks Road, Henderson VA 6166
T: (08) 9437 4949 F: (08) 9437 4949
E: info@grafplasticsaustralia.com.au

DRAWN :	LB	DATE :	26.03.20
		SCALE :	VARIOUS@A3

PROJECT

DESCRIPTION
Lifting Pump station single freestanding 1500L

DRAWING No.	REV.
	P0



ACCREDITED

19 JUN 2020

NSW MINISTRY OF HEALTH

THIS DOCUMENT IS SUPPLIED IN STRICT CONFIDENCE AND MUST NOT BE LENT, REPRODUCED OR DISCLOSED TO ANY THIRD PARTY WITHOUT THE WRITTEN CONSENT OF GRAF AUSTRALIA

DO NOT SCALE - IF IN DOUBT ASK

- NOTES:
1. Proposed Graf Plastics Australia layout.
 2. All dimensions in mm unless otherwise stated.
 3. Tanks are supplied with DN100 seals for Inlet.
 4. Tanks are supplied with 50mm outlet pipework.

PO	PRELIMINARY FOR APPROVAL	LB	26.03.20
REV.	DESCRIPTION	BY	DATE

GRAF GRAF Australia

GRAF Australia Pty Ltd, 43 Sparks Road, Hemmerson VA 6166
 T: (08) 9437 4949 F: (08) 9437 4949
 E: info@grafplasticsaustralia.com.au

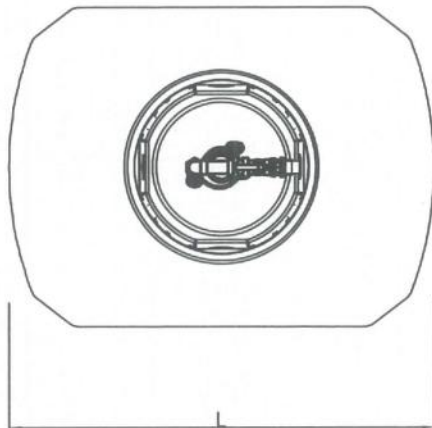
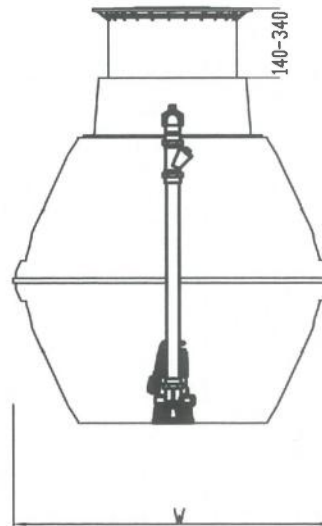
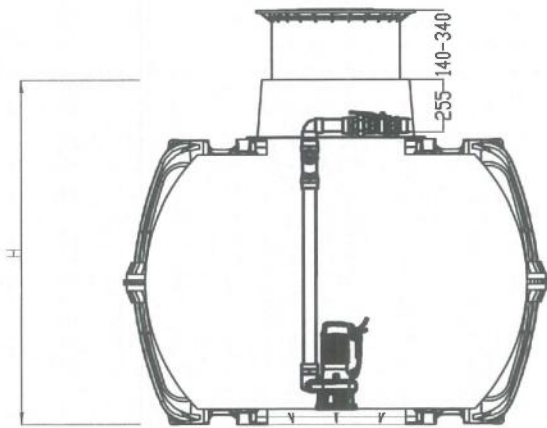
DRAWN : LB DATE : 26.03.20
 SCALE : VARIDUSBA3

PROJECT

DESCRIPTION

1500L Lifting Pump station
 Dual freestanding

DRAWING No. REV.
 P0



CARAT	L	W	H
2,700L	2080	1565	1680
3,750L	2280	1755	1870
4,800L	2280	1985	2100
6,500L	2390	2190	2380

THIS DOCUMENT IS SUPPLIED IN STRICT CONFIDENCE AND MUST NOT BE LENT, REPRODUCED OR DISCLOSED TO ANY THIRD PARTY WITHOUT THE WRITTEN CONSENT OF GRAF AUSTRALIA
DO NOT SCALE - IF IN DOUBT ASK

NOTES:

1. Proposed Graf Plastics Australia layout.
2. All dimensions in mm unless otherwise stated.
3. Tanks are supplied with DN100 seals for inlet.
4. Tanks are supplied with 50mm outlet pipework.

ACCREDITED

19 JUN 2020

NSW MINISTRY OF HEALTH

PO PRELIMINARY FOR APPROVAL	LB	26.03.20
REV. DESCRIPTION	BY	DATE

GRAF GRAF Australia

GRAF Australia Pty Ltd, 43 Sparks Road, Henderson VA 6166
T: (08) 9437 4949 F: (08) 9437 4949
E: info@grafplasticsaustralia.com.au

DRAWN: LB DATE: 26.03.20
SCALE: 1:VARIDUS@3

PROJECT

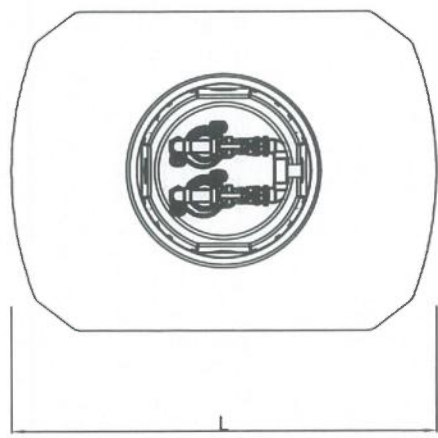
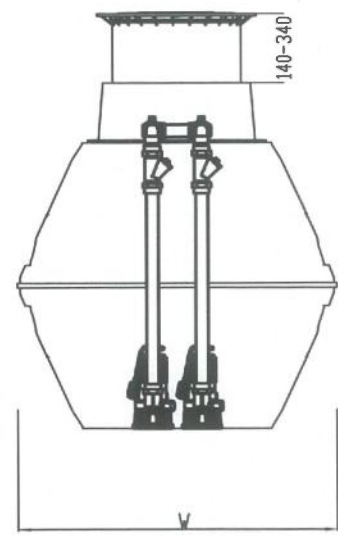
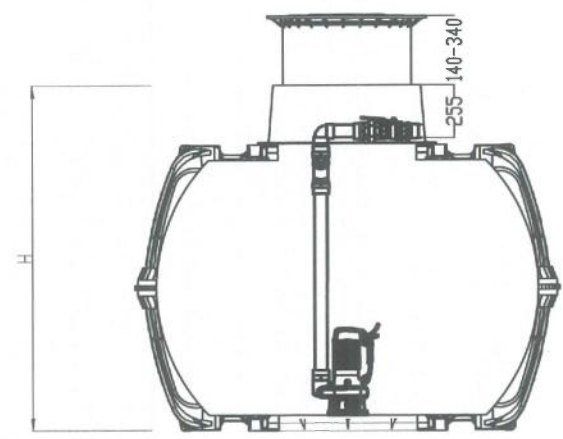
DESCRIPTION
Carat Lifting Pump station
single freestanding

DRAWING No. REV. P0

THIS DOCUMENT IS SUPPLIED IN STRICT CONFIDENCE AND MUST NOT BE LENT, REPRODUCED OR DISCLOSED TO ANY THIRD PARTY WITHOUT THE WRITTEN CONSENT OF GRAF AUSTRALIA
DO NOT SCALE - IF IN DOUBT ASK

NOTES:

1. Proposed Graf Plastics Australia layout.
2. All dimensions in mm unless otherwise stated.
3. Tanks are supplied with DN100 seals for inlet.
4. Tanks are supplied with 50mm outlet pipework.



CARAT	L	W	H
2,700L	2080	1565	1680
3,750L	2280	1755	1870
4,800L	2280	1985	2100
6,500L	2390	2190	2380

ACCREDITED
19 JUN 2020
NSW MINISTRY OF HEALTH

PO	PRELIMINARY FOR APPROVAL	LB	26.03.20
REV.	DESCRIPTION	BY	DATE

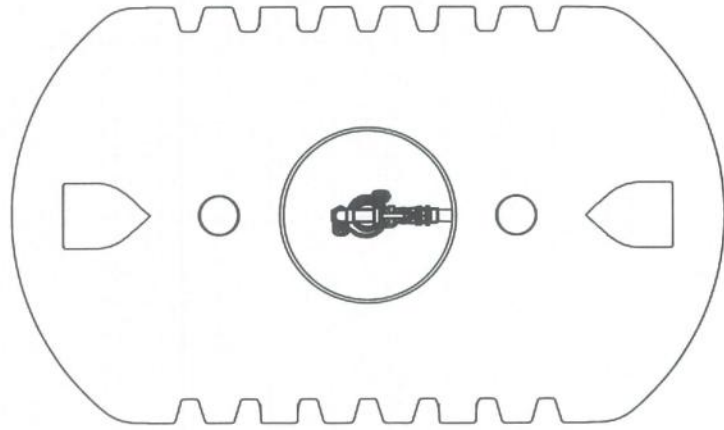
GRAF GRAF Australia
GRAF Australia Pty Ltd, 43 Sparks Road, Hemmerson VA 6166
 T: (08) 9437 4949 F: (08) 9437 4949
 E: info@grafplasticsaustralia.com.au

DRAWN : LB DATE : 26.03.20
SCALE : VARIDUS@A3

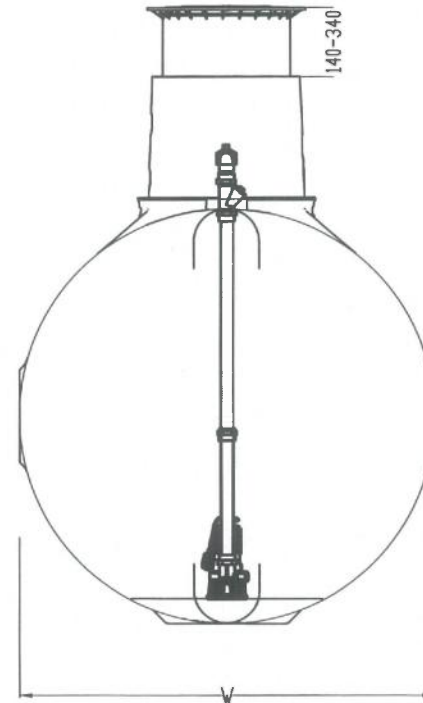
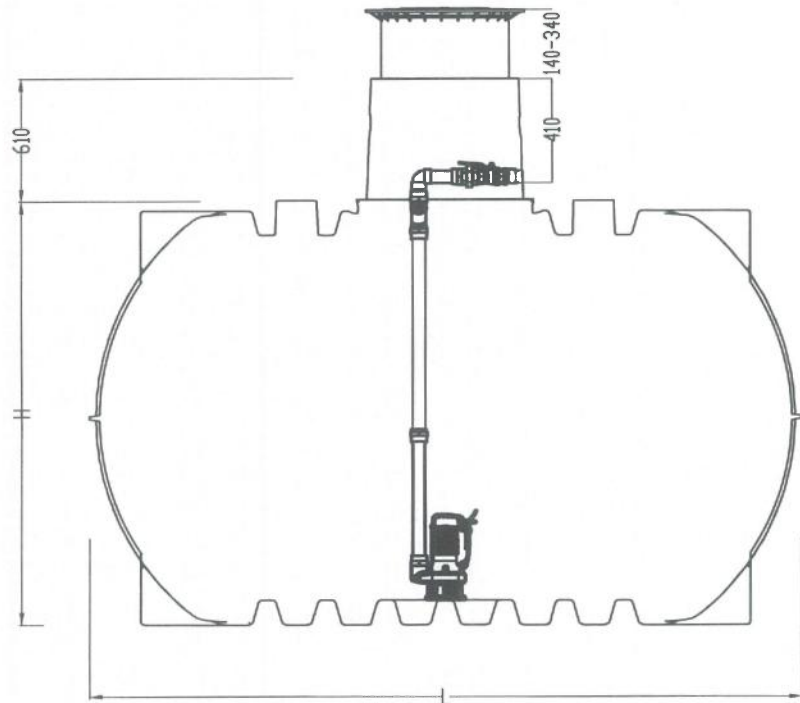
PROJECT

DESCRIPTION
 Carat Lifting Pump station
 dual freestanding

DRAWING No. REV. P0



CARAT	L	W	H
8,500L	3500	2040	2090
10,000L	3520	2240	2290



THIS DOCUMENT IS SUPPLIED IN STRICT CONFIDENCE AND MUST NOT BE LENT, REPRODUCED OR DISCLOSED TO ANY THIRD PARTY WITHOUT THE WRITTEN CONSENT OF GRAF AUSTRALIA
DO NOT SCALE - IF IN DOUBT ASK

NOTES:

1. Proposed Graf Plastics Australia layout.
2. All dimensions in mm unless otherwise stated.
3. Tanks are supplied with DN150 seals for inlet.
4. Tanks are supplied with 50mm outlet pipework.

ACCREDITED
19 JUN 2020
NSW MINISTRY OF HEALTH

P0	PRELIMINARY FOR APPROVAL	LB	2.04.20
REV.	DESCRIPTION	BY	DATE

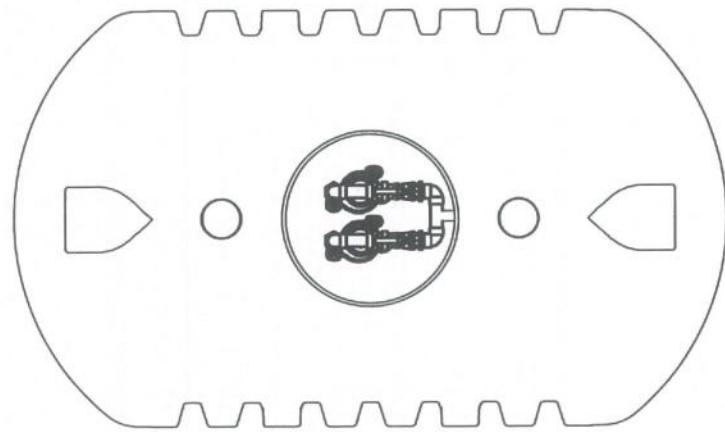
GRAF GRAF Australia
GRAF Australia Pty Ltd, 43 Sparks Road, Henderson VA 6166
T: (08) 9437 4949 F: (08) 9437 4949
E: info@grafplasticsaustralia.com.au

DRAWN: LB DATE: 26.03.20
SCALE: VARIOUS@A3

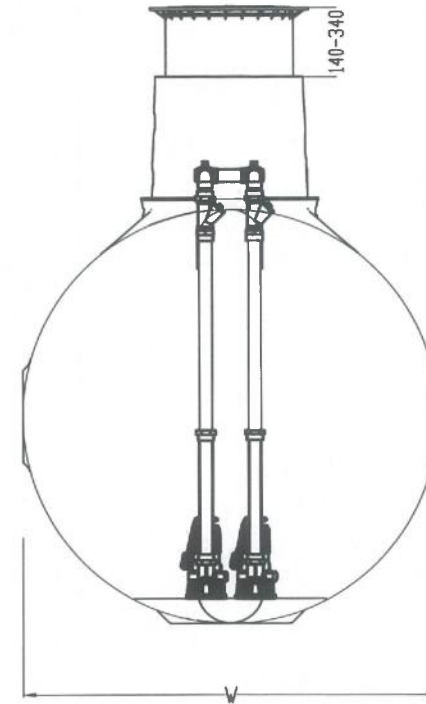
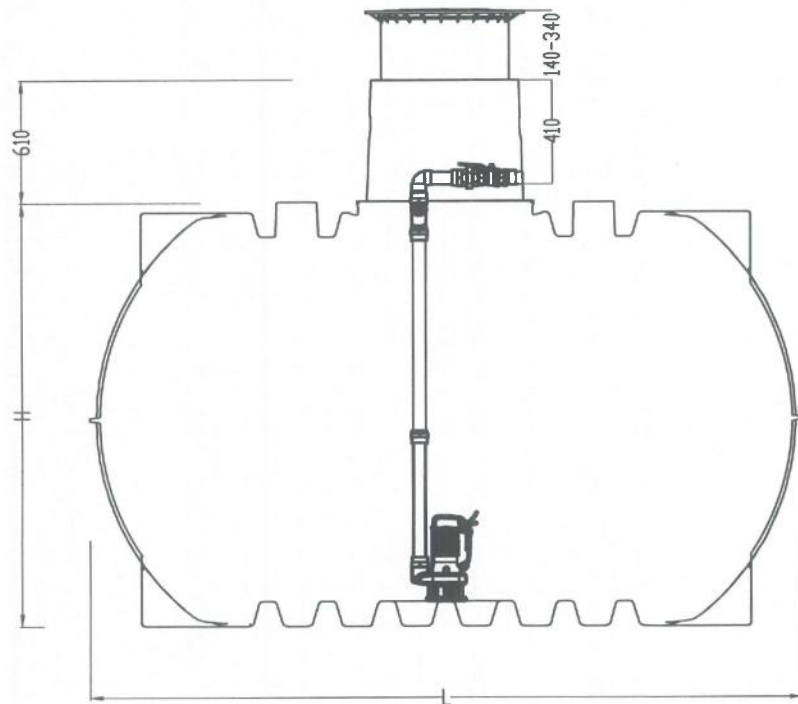
PROJECT

DESCRIPTION
Carat XL Lifting Pump station
single freestanding

DRAWING No. REV.
P0



CARAT	L	W	H
8,500L	3500	2040	2090
10,000L	3520	2240	2290



THIS DOCUMENT IS SUPPLIED IN STRICT CONFIDENCE AND MUST NOT BE LENT, REPRODUCED OR DISCLOSED TO ANY THIRD PARTY WITHOUT THE WRITTEN CONSENT OF GRAF AUSTRALIA
DO NOT SCALE - IF IN DOUBT ASK

- NOTES:
1. Proposed Graf Plastics Australia layout.
 2. All dimensions in mm unless otherwise stated.
 3. Tanks are supplied with DN150 seals for Inlet.
 4. Tanks are supplied with 50mm outlet pipework.

ACCREDITED
 19 JUN 2020
 NSW MINISTRY OF HEALTH

P0 PRELIMINARY FOR APPROVAL	LB 2.04.20
REV. DESCRIPTION	BY DATE

GRAF GRAF Australia
 GRAF Australia Pty Ltd, 43 Sparks Road, Henderson VA 6866
 T: (08) 9437 4949 F: (08) 9437 4949
 E: info@grafplasticsaustralia.com.au

DRAWN: LB DATE: 26.03.20 SCALE: VARIDUS@A3

PROJECT

DESCRIPTION
 Carat XL Lifting Pump station
 Dual freestanding

DRAWING No. REV. P0

