



Health

Certificate of Accreditation

Sewage Management Facility

Sewage Ejection Pump Station

This Certificate of Accreditation is issued by the Secretary of the NSW Ministry of Health pursuant to Clause 41(1) of the Local Government (General) Regulation 2005.

System: SPE SEPS Series Single and Dual Pumps

Manufacturer: SPE Polytech Pty Ltd

Of: PO Box 314, Ettalong, NSW, 2257

The SPE Series SEPS as described in the attached Schedule have been accredited as sewage management facilities for use in single domestic premises in NSW. The pump wells are manufactured to the Australian / New Zealand Standard AS/NZS 1546.1:2008 "On-site domestic wastewater treatment units - septic tanks" by Rotadyne Pty Ltd on behalf of SPE Polytech.

*A/Director, Environmental Health
for Secretary (delegation PH335)*

Issued: 11 September 2018

Certificate No: SEPS006

Expires: 31 December 2023



Health

Accreditation Schedule

The Certificate of Accreditation applies to the following range of sewage ejection pump stations in accordance with the attached plans.

The SPE Polytech sewage ejection pump station is available in eleven (11) models with the following capacities:

<i>800 mm diameter x 1260 mm deep</i>	<i>590 litres</i>
<i>850 mm diameter x 2160 mm deep</i>	<i>1050 litres</i>
<i>1000 mm diameter x 1560 mm deep</i>	<i>1050 litres</i>
<i>1000 mm diameter x 2125 mm deep</i>	<i>1460 litres</i>
<i>1400 mm diameter x 1600 mm deep</i>	<i>1800 litres</i>
<i>1400 mm diameter x 2000 mm deep</i>	<i>2780 litres</i>
<i>1400 mm diameter x 2320 mm deep</i>	<i>3150 litres</i>
<i>1400 mm diameter x 3000 mm deep</i>	<i>4100 litres</i>
<i>1400 mm diameter x 3250 mm deep</i>	<i>4500 litres</i>
<i>1950 mm diameter x 2320 mm deep</i>	<i>6100 litres</i>
<i>1950 mm diameter x 3250 mm deep</i>	<i>8500 litres</i>

The SPE Polytech sewage ejection pump station consists of:

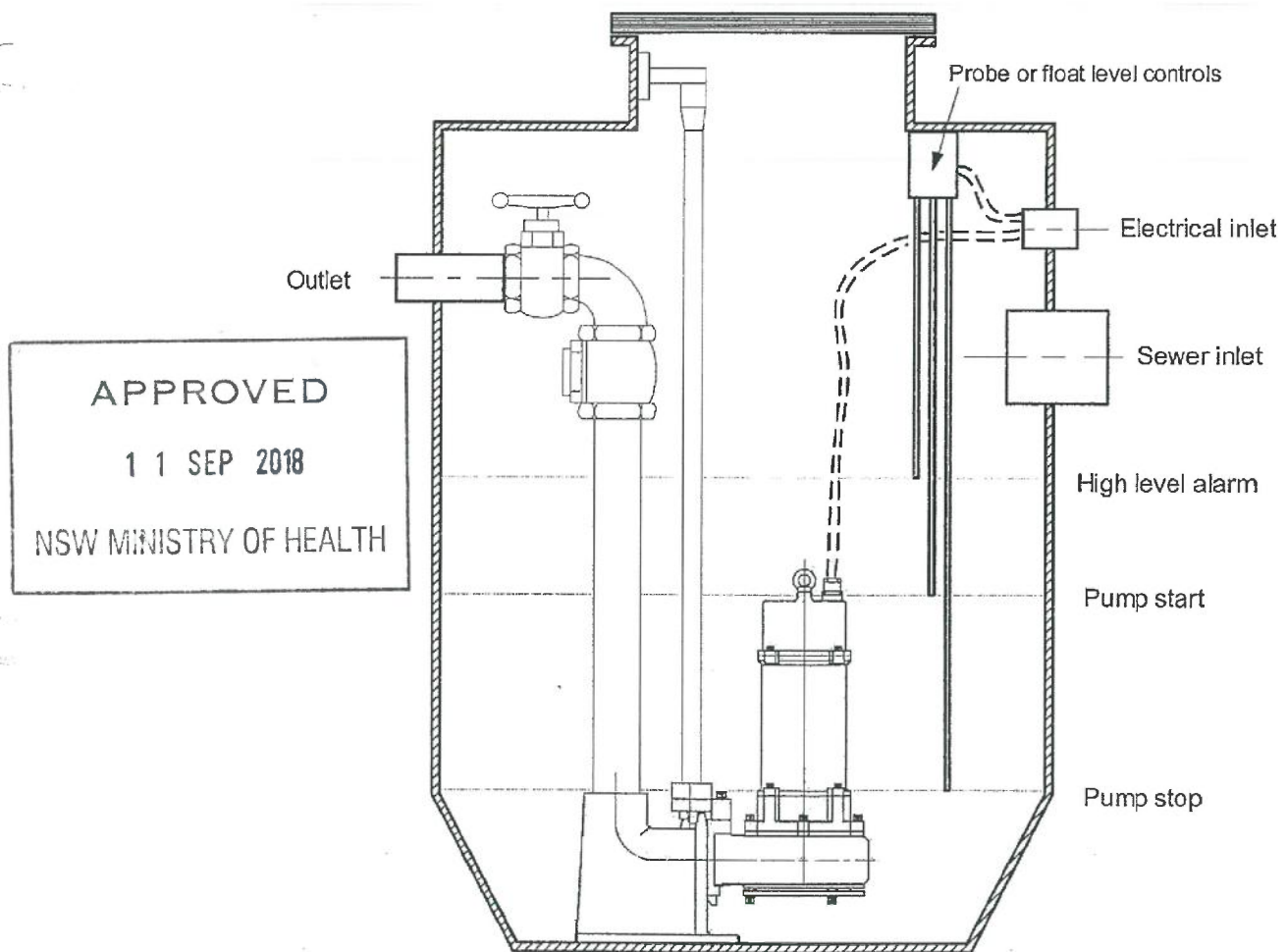
- A cylindrical roto moulded polyethylene pump well and lid, manufactured by Rotadyne Pty Ltd, 31-43 Power St, StMarys,, NSW, 2760;*
- Single or dual Grundfoss centrifugal grinder pump (or equivalent), fitted with low and high level pressure switches;*
- A non-return valve and gate valve fitted on the outlet of the grinder pump. The discharge pipe is connected to either 32 mm or 50 mm diameter house pressure main to the sewer;*
- An audible and visible alarm system.*

SPE Polytech

specialised polyethylene equipment

General arrangement drawing of a polyethylene package pump station fitted with a guide rail mounted submersible cutter or grinder pump

800 mm diameter and 1000 mm diameter package stations are available with a choice of either a polyethylene access cover or cast iron access cover



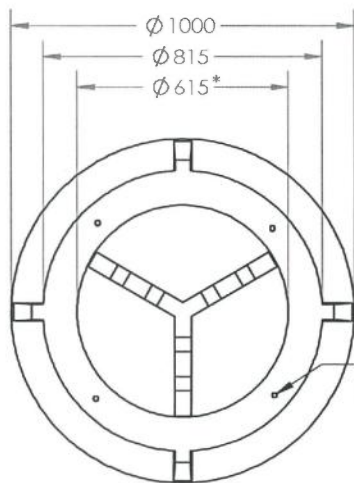
Single or dual pumps with guide rails can be fitted to the 1000 mm diameter stations
800 mm stations are suitable for single free standing pumps only

SPE Polytech Pty Ltd

ACN 100 653 647 ABN13 100 653 647
Ettalong NSW 2257 Australia

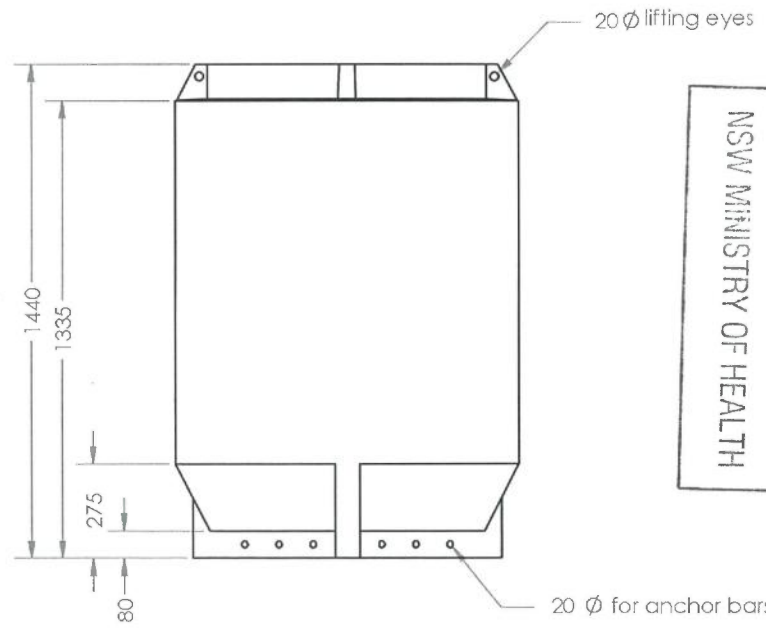
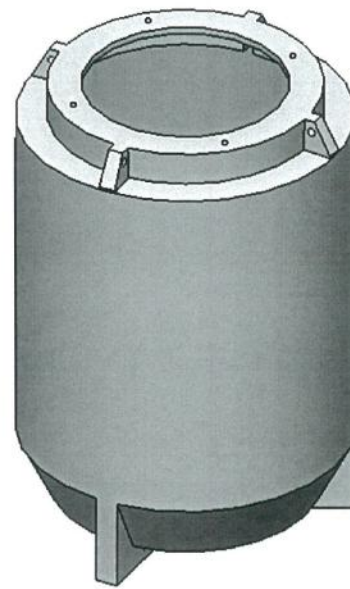
Phone (02) 4342 4743
Fax (02) 4342 4848
e-mail abspe@bigpond.net.au

DO NOT SCALE DRAWING



* 600 x 600 opening also available

4 x M8 Inserts
Ø 760 PCD



20 Ø lifting eyes

20 Ø for anchor bars

APPROVED
 1 1 SEP 2018
 NSW MINISTRY OF HEALTH

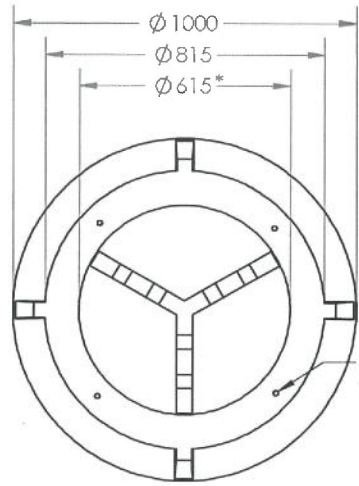
SPE #2152 (R or S) - 1050L Tank -1000 x 1440 round or square opening

DIMENSIONS ARE IN MM TOLERANCES: ANGULAR: ± 0.5 NO DECIMAL PLACES 1.0 ONE DECIMAL PLACE 0.5 TWO DECIMAL PLACES 0.1	NAME: _____ DRAWN: SB CHECK: _____ MATERIAL: Virgin LLDPE FINISH: Matt Black	DATE: 16/08/2018 REV: _____	File Name: Model #2152 - 1050L Tank 1000 x 1440 Rectangular or round opening	PROPRIETARY AND CONFIDENTIAL NOT TO BE REPRODUCED OR TRANSMITTED IN ANY FORM OR BY ANY MEANS, ELECTRONIC OR MECHANICAL, INCLUDING PHOTOCOPYING, RECORDING, OR BY ANY INFORMATION STORAGE AND RETRIEVAL SYSTEM, WITHOUT THE WRITTEN PERMISSION OF SPE POLYTECH.
---	--	--------------------------------	---	---

SPE
POLYTECH

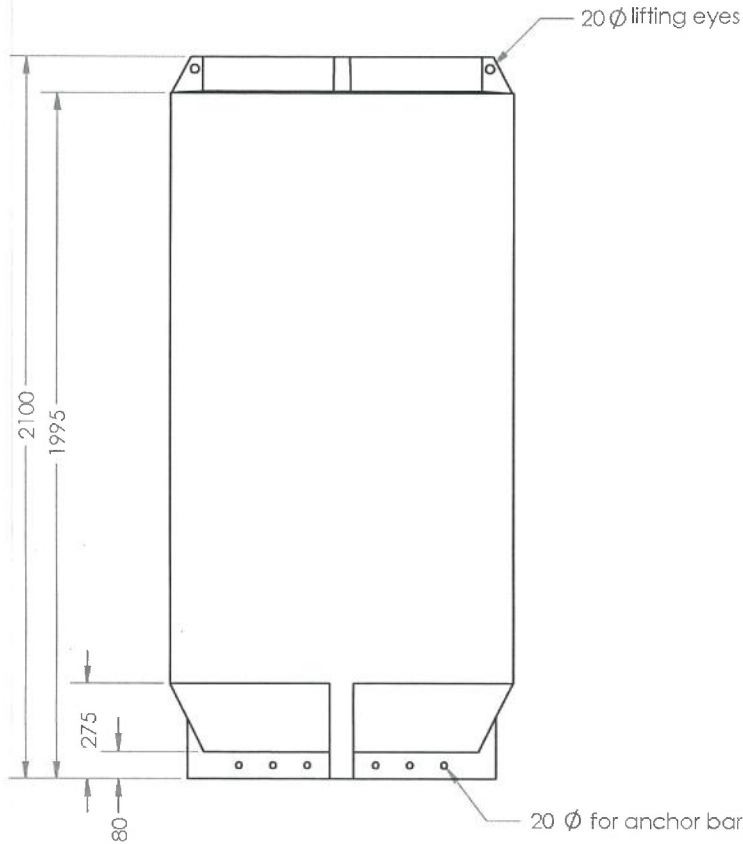
SHEET 1 OF 1

DO NOT SCALE DRAWING

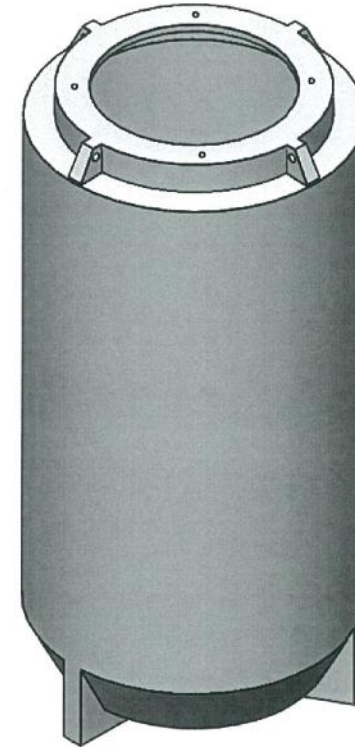


* 600 x 600 opening also available

4 x M8 Inserts
 $\varnothing 760$ PCD



APPROVED
 1 1 SEP 2018
 NSW MINISTRY OF HEALTH

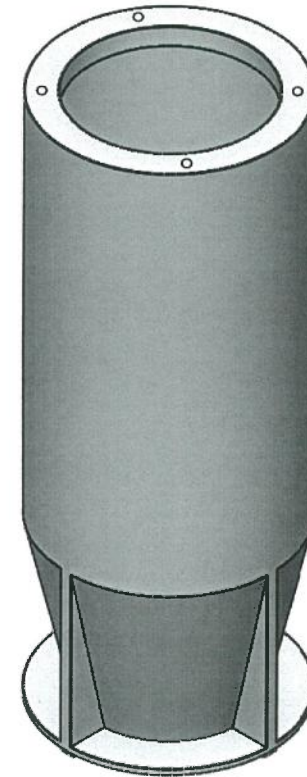
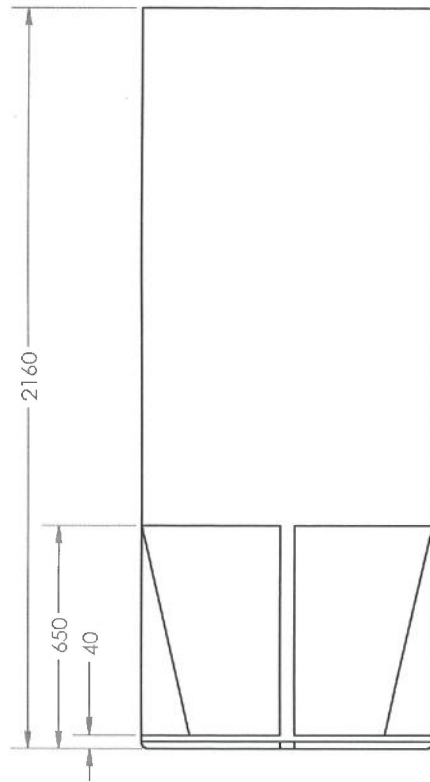
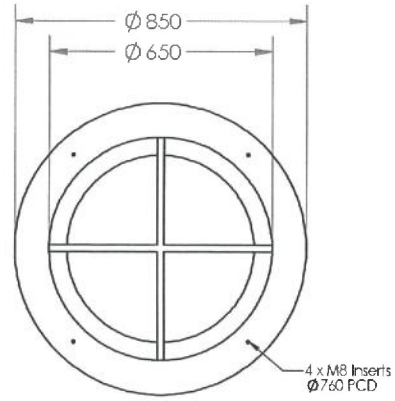


SPE #2153 (R or S) -1460L Tank -1000 x 2100 round or square opening

DIMENSIONS ARE IN MM		NAME	DATE	File Name:
TOLERANCES:		DRAWN	16/08/2018	Model #2153 - 1460L Tank 1000 x 2100
ANGULAR ± 0.5		CHECK		Reclangular or round opening
NO DECIMAL PLACE ± 1.0		MATERIAL:	Virgin LLDPE	REV:
ONE DECIMAL PLACE ± 0.5		FINISH:	Mat Black	<small> PROPRIETARY AND CONFIDENTIAL THE INFORMATION IS CONTAINED HEREIN IS UNCLASSIFIED AND IS NOT TO BE RELEASED OR DISCLOSED TO THE PUBLIC WITHOUT THE WRITTEN PERMISSION OF SPE POLYTECH </small>
TWO DECIMAL PLACE ± 0.1		SHEET 1 OF 1		

SPE
POLYTECH

DO NOT SCALE DRAWING

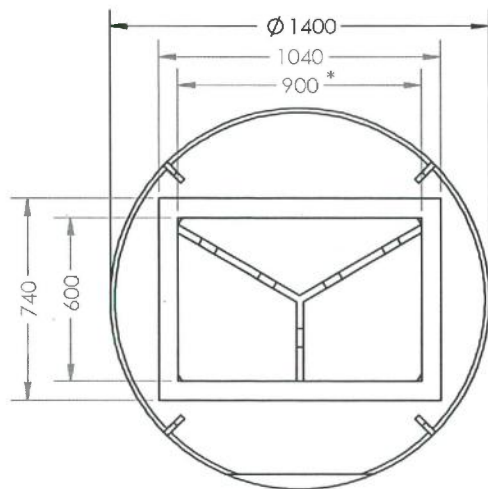


APPROVED
1 1 SEP 2018
NSW MINISTRY OF HEALTH

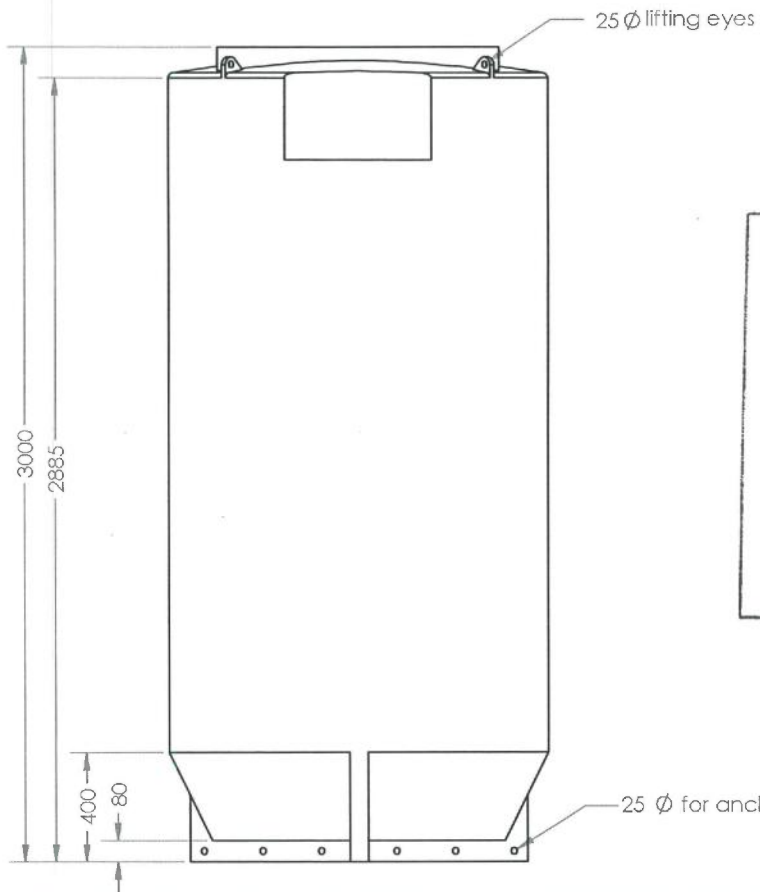
SPE #2156 1050L Tank 850 x 2160 Round Hatch

DIMENSIONS ARE IN MM TOLERANCES: ANGULAR: ± 0.5 NO DECIMAL PLACE: 1.0 ONE DECIMAL PLACE: 0.5 TWO DECIMAL PLACE: 0.1	NAME	DATE	File Name:
	DRAWN: SB	16/08/2018	SPE #2156 1050L Tank 850 x 2160 Round Hatch
	CHECK		
	MATERIAL: Virgin LLDPE	REV:	PROPRIETARY AND CONFIDENTIAL THIS DRAWING IS THE PROPERTY OF SPE POLYTECH. IT IS NOT TO BE REPRODUCED OR TRANSMITTED IN ANY FORM OR BY ANY MEANS, ELECTRONIC OR MECHANICAL, WITHOUT THE WRITTEN PERMISSION OF SPE POLYTECH.
SHEET 1 OF 1	FINISH: Matt Black		SPE POLYTECH

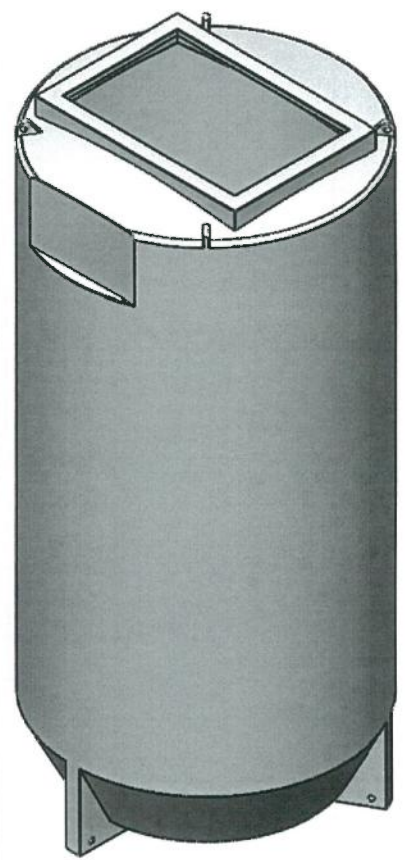
DO NOT SCALE DRAWING



* 600 round opening also available

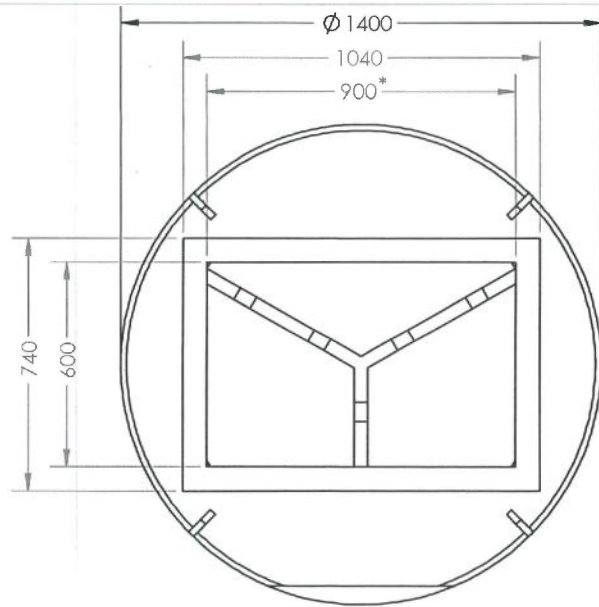


APPROVED
 1 1 SEP 2018
 NSW MINISTRY OF HEALTH



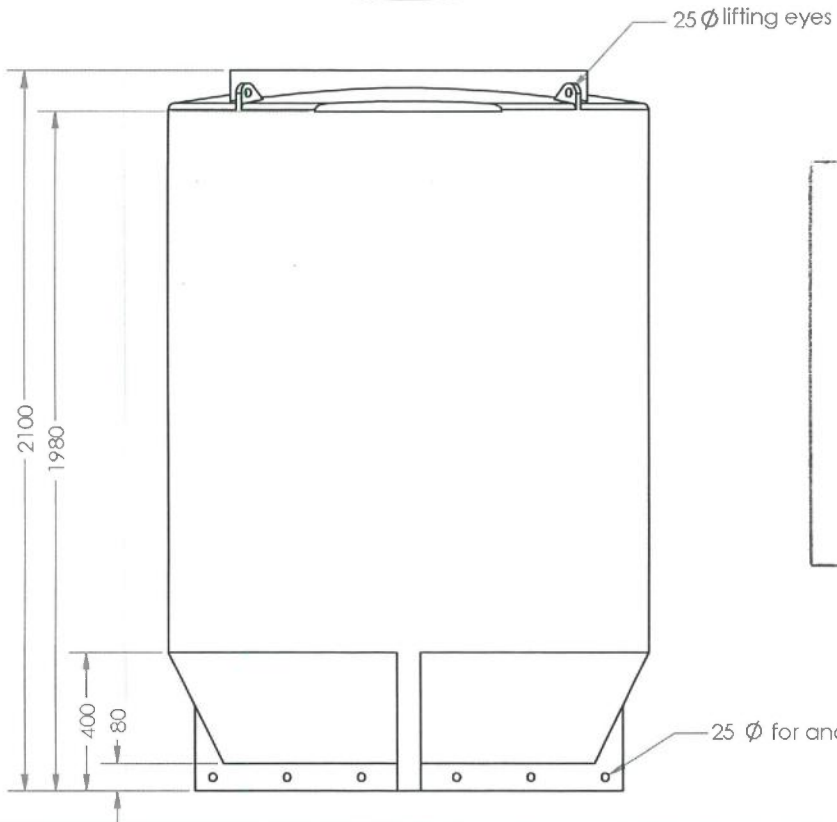
SPE #2157 (S or R) - 4100L Tank -1400 x 3000 rectangular or round opening			
<small>DIMENSIONS ARE IN MM</small>	<small>NAME</small>	<small>DATE</small>	<small>File Name:</small>
<small>TOLERANCES:</small>	SB	16/05/2018	Model #2157 -4100L Tank -1400 x 3000
<small>ANGULAR: ± 0.5</small>	<small>DRAWN</small>		Rectangular or round opening
<small>NO DECIMAL PLACE: ± 1.0</small>	<small>CHECK</small>		
<small>ONE DECIMAL PLACE: ± 0.5</small>	<small>MATERIAL:</small>	Virgin LLDPE	<small>REV:</small>
<small>TWO DECIMAL PLACE: ± 0.1</small>	<small>FINISH:</small>	Matf Black	<small>PROPRIETARY AND CONFIDENTIAL</small>
<small>SHEET 1 OF 1</small>			<small>THIS DRAWING IS CONTROLLED UNDER SYSTEM 8. THE USER AGREES TO HOLD THE INFORMATION CONTAINED HEREIN CONFIDENTIAL AND TO NOTIFY SPE OF ANY UNAUTHORIZED DISSEMINATION OF THIS INFORMATION TO OTHERS.</small>

SPE
POLYTECH

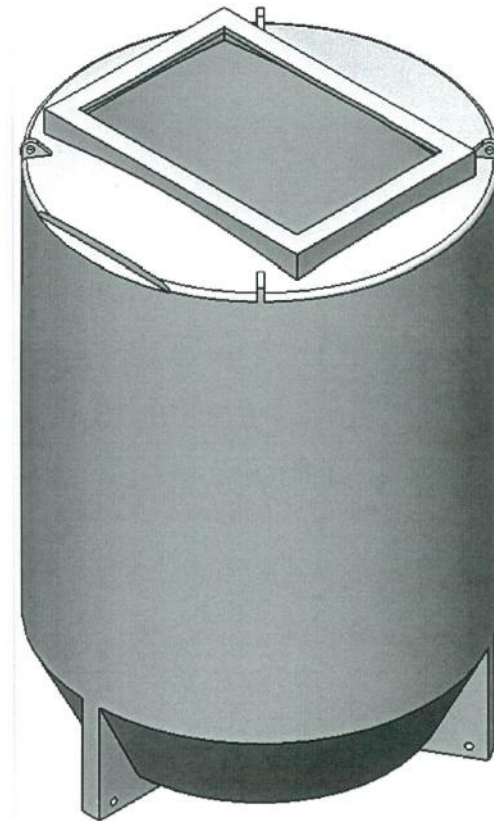


DO NOT SCALE DRAWING

* 600 round opening also available



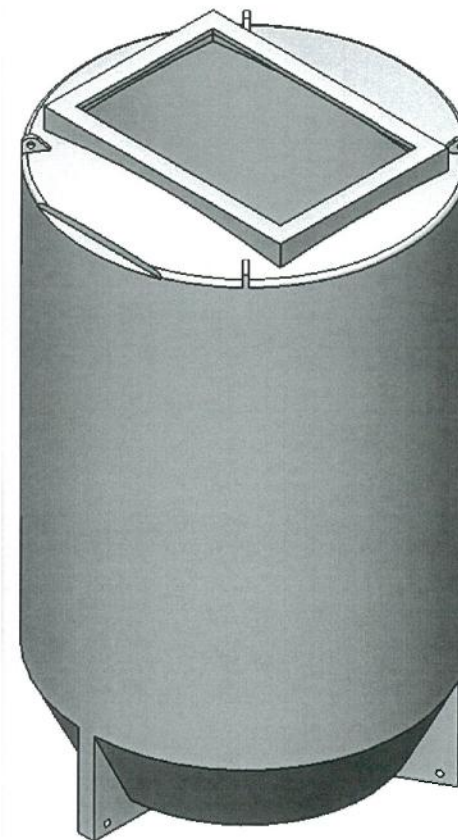
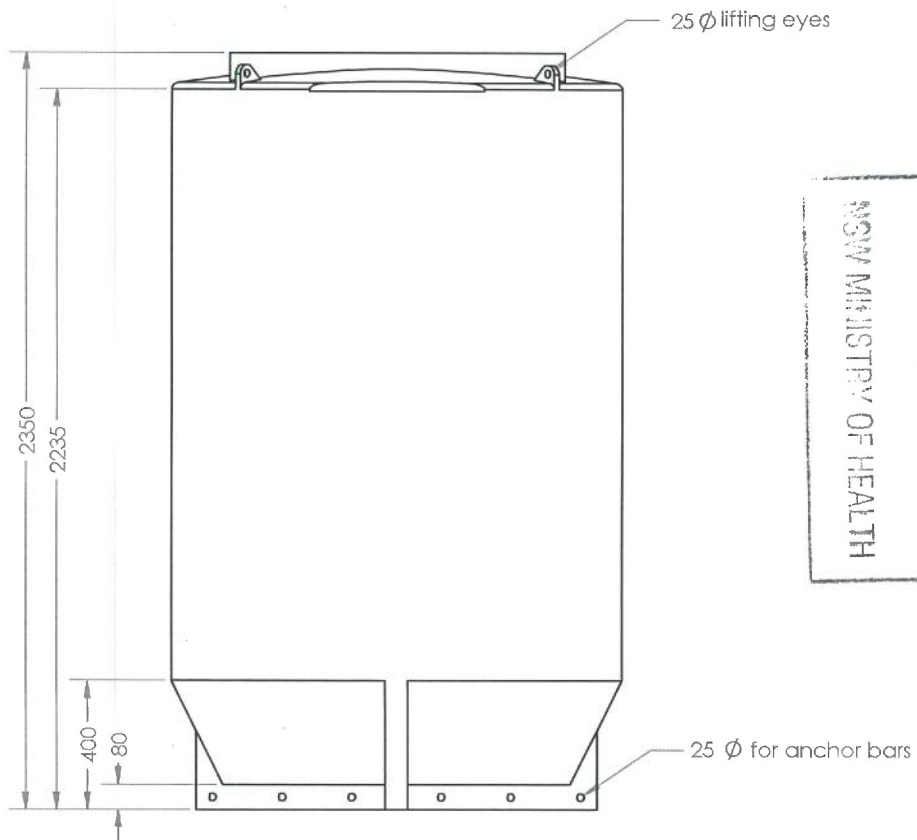
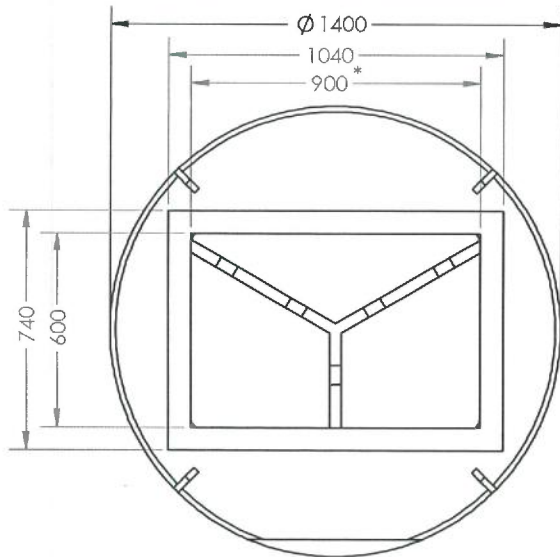
APPROVED
 11 SEP 2018
 NSW MINISTRY OF HEALTH



SPE #2158 (S or R) - 2780L Tank -1400 x 2100 rectangular or round opening

DIMENSIONS ARE IN MM		NAME	DATE	File Name:
TOLERANCES:	DRAWN	SB	16/09/2018	Model #2158 -2780L Tank -1400 x 2100
ANGULAR: ± 0.5°	CHECK			Rectangular or round opening
NO DECIMAL PLACES ± 0.2				
ONE DECIMAL PLACE ± 0.1	MATERIAL:	Virgin LLDPE		REV:
TWO DECIMAL PLACES ± 0.05	FINISH:	Matt Black		PROPRIETARY AND CONFIDENTIAL
				USE ONLY WITHIN THE SPECIFIED RANGE OF APPLICATIONS AND CONDITIONS OF USE. FOR FULL TECHNICAL SPECIFICATIONS, VISIT THE WEBSITE AT http://www.spepolytech.com.au
SHEET 1 OF 1				SPE POLYTECH

DO NOT SCALE DRAWING

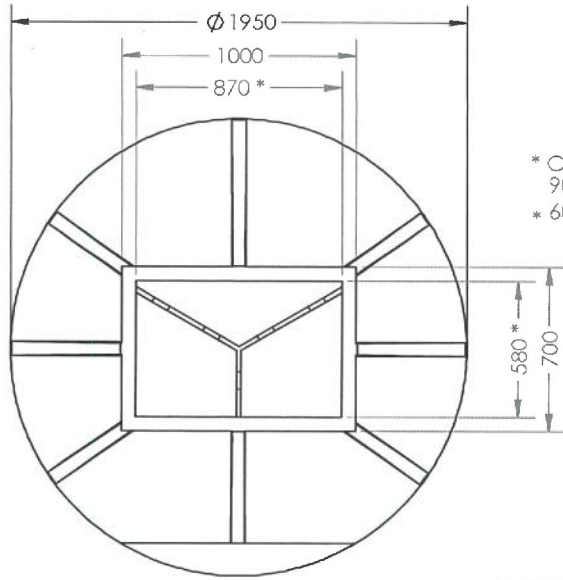


APPROVED
 1 1 SEP 2018
 NSW MINISTRY OF HEALTH

SPE #2159 (S or R) - 3150L Tank -1400 x 2350 rectangular or round opening

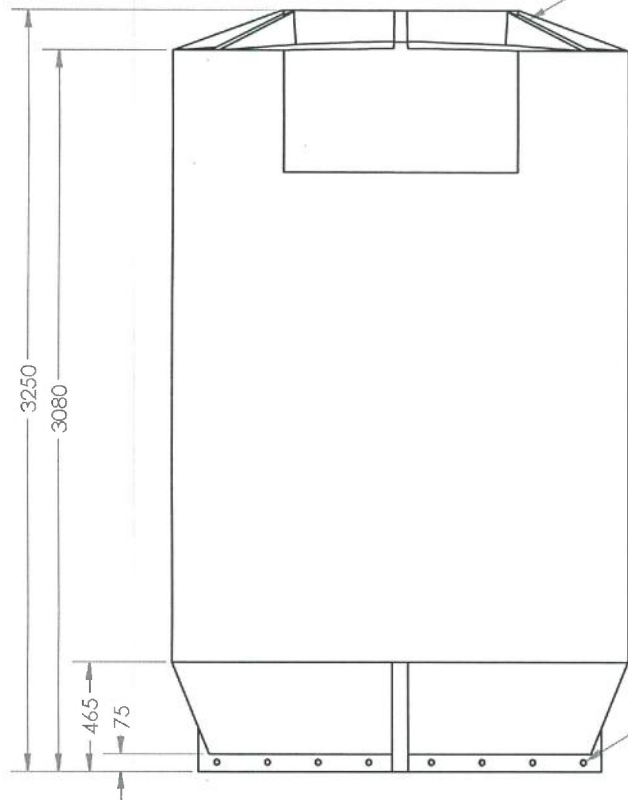
DIMENSIONS ARE IN MM		NAME	DATE	File Name:	SPE
TOLERANCES: ANGULARS ± 0.5 NO DECIMAL PLACE 1.0 ONE DECIMAL PLACE ± 0.5 TWO DECIMAL PLACE ± 0.1		DRAWN: SB	16/08/2018	Model #2159 -2350L Tank -1400 x 2350 Rectangular or round opening	
CHECK:	MATERIAL: Virgin LLDPE	FINISH: Matt Black	REV:	PROPRIETARY AND CONFIDENTIAL See disclaimer on the attached to this spec This is a technical drawing and the copyright of Polytech Pty Ltd is reserved.	
SHEET 1 OF 1					

DO NOT SCALE DRAWING



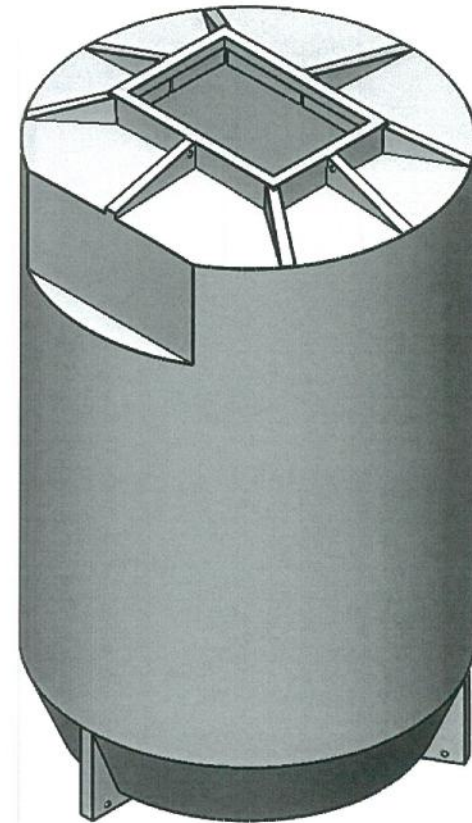
* Can be trimmed to 900 x 600 if required
 * 600 round opening also available

25 ϕ lifting eyes



25 ϕ for anchor bars

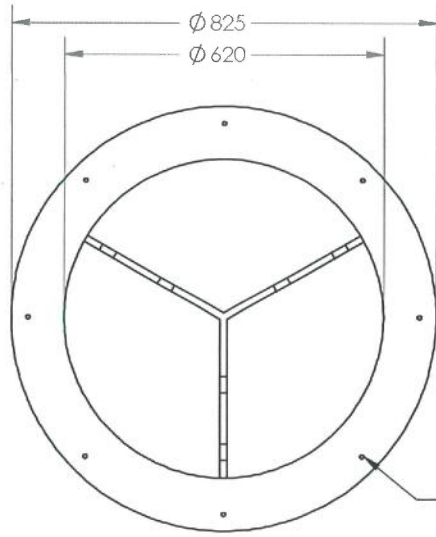
APPROVED
 1 1 SEP 2018
 NSW MINISTRY OF HEALTH



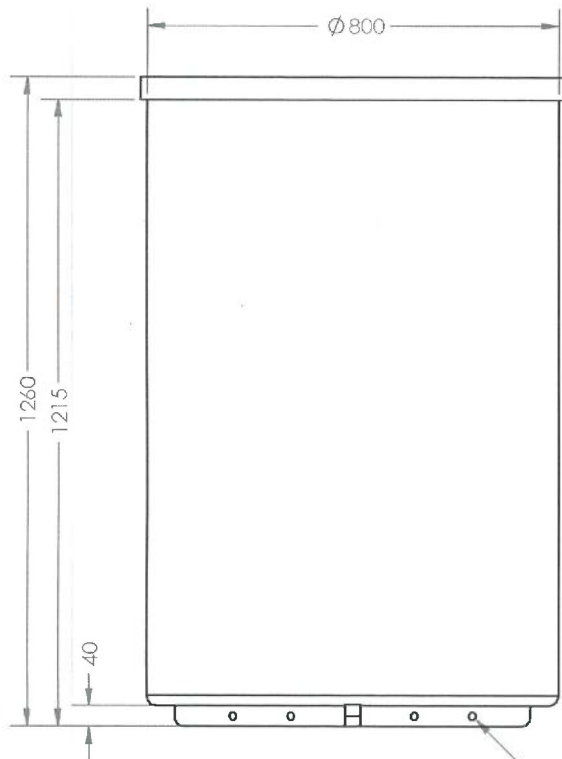
SPE #2160 (S or R) - 8500L Tank-1950 x 3250 Rectangular or round opening

DIMENSIONS ARE IN MM		NAME	DATE	File Name:
TOLERANCES:		DRAWN	16/08/2018	Model #2160S - 8500L Tank 1950 x 3250
ANGULAR: ± 0.5		CHECK		Rectangular or round opening
NO DECIMAL PLACE 1.0		MATERIAL:	Virgin LLDPE	REV:
ONE DECIMAL PLACE 0.5		FINISH:	Mat Black	PROPRIETARY AND CONFIDENTIAL
TWO DECIMAL PLACE 0.1				FOR INFORMATION CONTACT SPE AT 02 9585 9000 SPE POLYTECH 10/100 WILSON ROAD, WILSON PROMENADE, WILSON PROMENADE, WILSON PROMENADE
SHEET 1 OF 1				

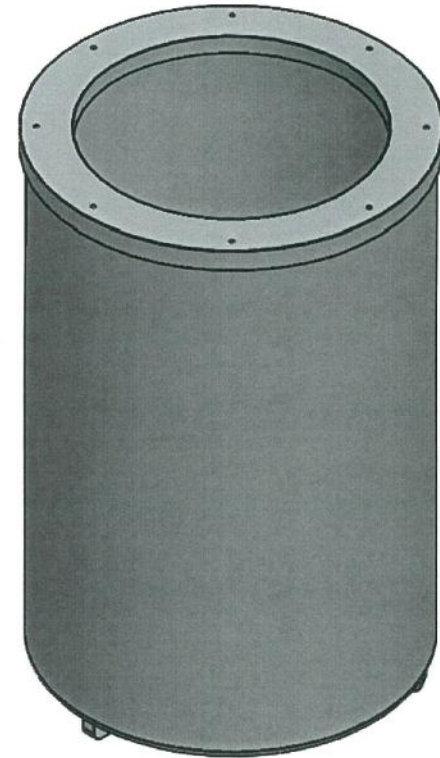
DO NOT SCALE DRAWING



8 x M8 Inserts
 $\Phi 760$ PCD



15 Φ for anchor bars

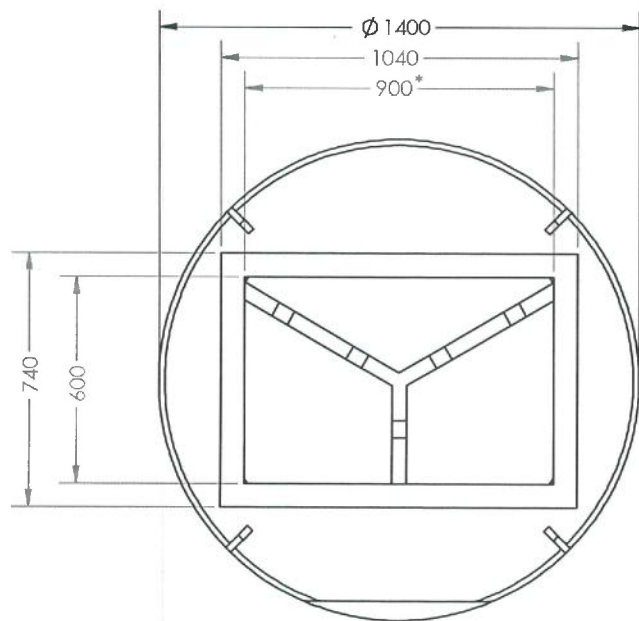


NSW MINISTRY OF HEALTH
1 1 SEP 2018
APPROVED

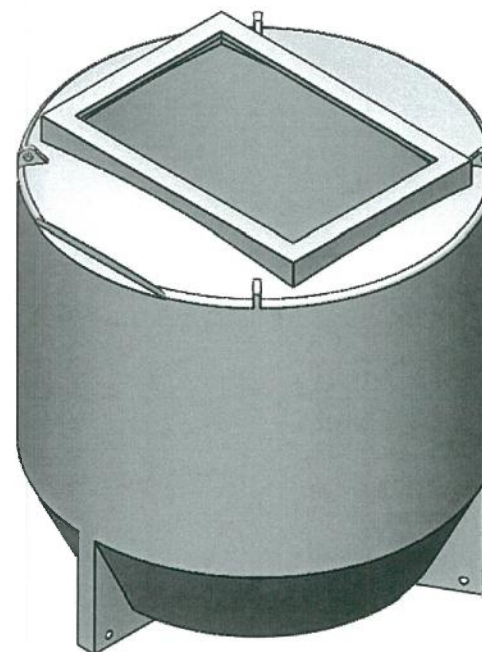
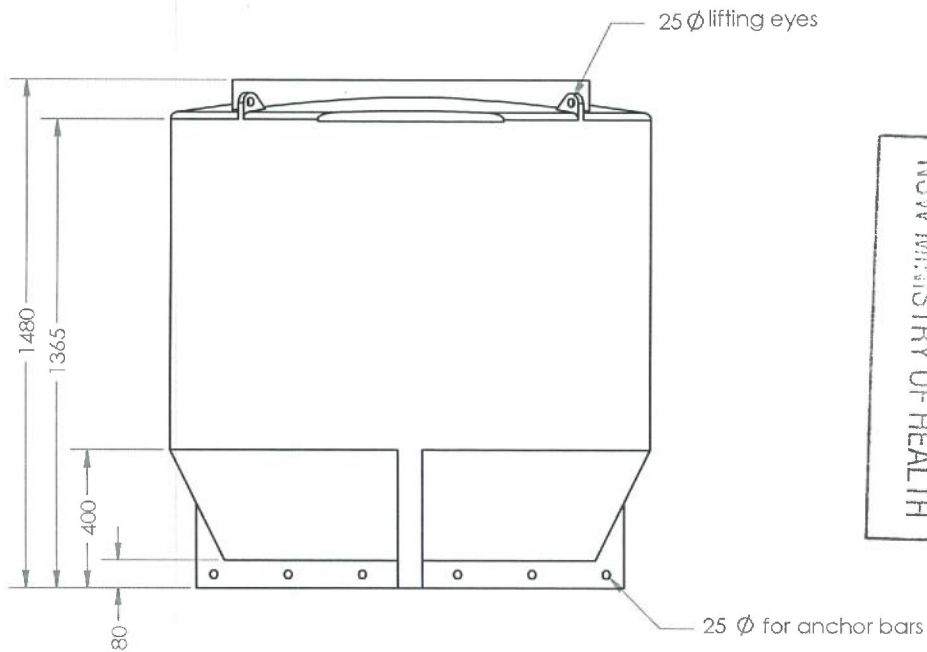
SPE #2162 590L Tank 800 x 1260 Round Hatch

DIMENSIONS ARE IN MM		NAME:	DATE:	File Name:
TOLERANCES: ANGLES: ± 0.5 NO DECIMAL PLACE ± 1.0 ONE DECIMAL PLACE ± 0.5 TWO DECIMAL PLACE ± 0.1		DRAWN: SB	17/08/2018	SPE #2162 590L Tank 800 x 1260 Round Hatch
CHECK:	MATERIAL: Virgin LLDPE	REV:	PROPRIETARY AND CONFIDENTIAL THIS DRAWING IS CONTROLLED BY THE COMPANY AND IS NOT TO BE REPRODUCED OR TRANSMITTED IN ANY FORM OR BY ANY MEANS, ELECTRONIC OR MECHANICAL, WITHOUT PERMISSION FROM THE COMPANY.	
SHEET 1 OF 1	FINISH: Matt Black	POLYTECH		

DO NOT SCALE DRAWING



* 600 round opening also available



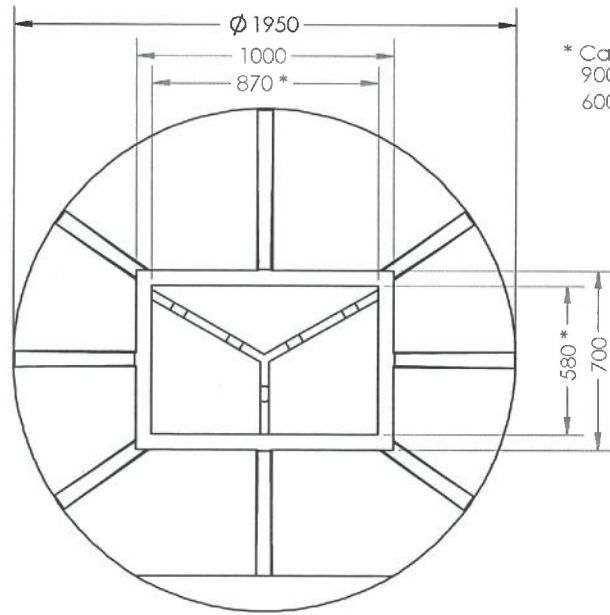
APPROVED
 1 1 SEP 2018
 NSW MINISTRY OF HEALTH

SPE #2163 (S or R) -1880L Tank -1400 x 1480 rectangular or round opening

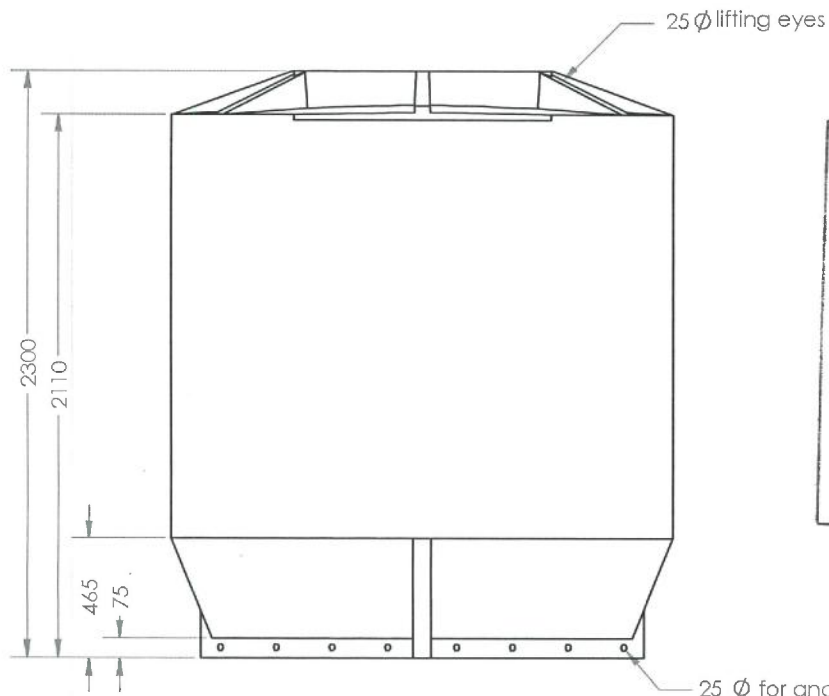
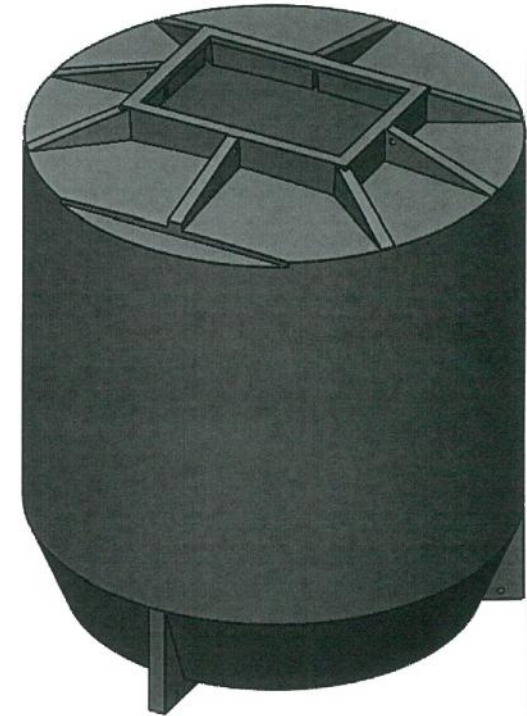
DIMENSIONS ARE IN MM		NAME	DATE	File Name:
TOLERANCES:		DRAWN	16/08/2018	Model #2163-1880L tank -1400 x1480
ANGULAR: ± 0.5		CHECK		Rectangular or round opening
NO DECIMAL PLACE 1.0		MATERIAL:	Virgin LLDPE	REV:
ONE DECIMAL PLACE 0.5		FINISH:	Mat Black	
TWO DECIMAL PLACE 0.1				
SHEET 1 OF 1				<small> PROPRIETARY AND CONFIDENTIAL SPE POLYTECH reserves the right to use, modify or disclose the information contained in this drawing without notice to the customer. </small>

SPE
POLYTECH

DO NOT SCALE DRAWING



* Can be trimmed to 900 x 600 if required
600 round opening also available



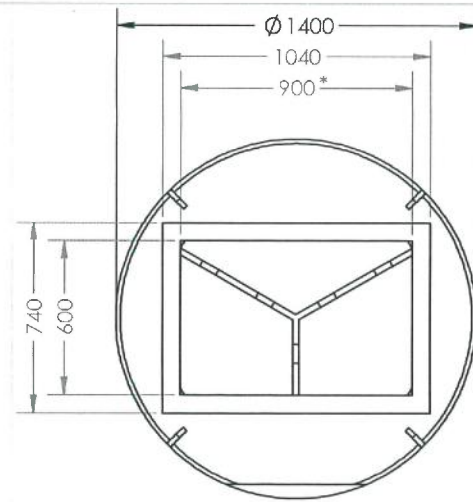
APPROVED
1 1 SEP 2018
NSW MINISTRY OF HEALTH

25 Ø for anchor bars

SPE #2164 (S or R) - 6100L Tank-1950 x 2300 Rectangular or round opening

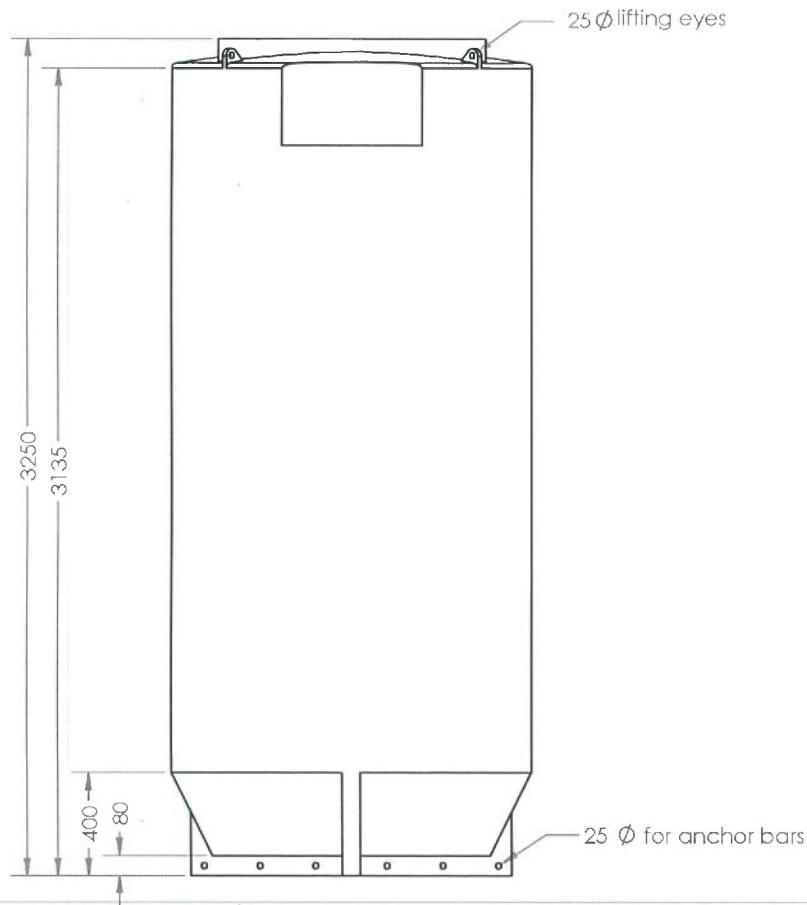
DIMENSIONS ARE IN MM		NAME	DATE	File Name:
TOLERANCES:		DRAWN	16/08/2018	Model #2164 - 6100L Tank 1950 x 2250
ANGULAR ± 0.5		CHECK		Rectangular or round opening
NO DECIMAL PLACE 1.0		MATERIAL:	Virgin LLDPE	REV:
ONE DECIMAL PLACE 2.0		FINISH:	Mat Black	PROPRIETARY AND CONFIDENTIAL
TWO DECIMAL PLACE 3.0				FOR THE DESIGN OF ANYTHING, WITH A COMPANY'S LOGO OR
SHEET 1 OF 1				FOR THE DESIGN OF ANYTHING, WITH A COMPANY'S LOGO OR

SPE
POLYTECH



DO NOT SCALE DRAWING

* 600 round opening also available



APPROVED
 1 1 SEP 2018
 NSW MINISTRY OF HEALTH

SPE #2166 (S or R) - 4500L Tank -1400 x 3250 rectangular or round opening

DIMENSIONS ARE IN MM		NAME	DATE	File Name:	SPE POLYTECH
TOLERANCES: ANGULARS ± 0.5 NO DECIMAL PLACE ± 1.0 ONE DECIMAL PLACE ± 0.5 TWO DECIMAL PLACE ± 0.1		DRAWN: SB	16/08/2018	Model #2166-4500L Tank-1400 x 3250 Rectangular or round opening	
CHECK:	MATERIAL: Virgin LLDPE	FINISH: Matt Black	REV:	PROPRIETARY AND CONFIDENTIAL THIS DRAWING IS THE PROPERTY OF SPE POLYTECH IT IS TO BE USED ONLY FOR THE PROJECT AND NOT TO BE REPRODUCED OR COPIED IN ANY MANNER WITHOUT THE WRITTEN PERMISSION OF SPE POLYTECH	
SHEET 1 OF 1					