



Health

Certificate of Accreditation

Sewage Management Facility

Sewage Ejection Pump Stations

This Certificate of Accreditation is issued by the Secretary of the NSW Ministry of Health pursuant to Clause 41(1) of the Local Government (General) Regulation 2005.

Manufacturer: *Hopley Pty Ltd t/a Sepron*

Of: *59 McCombe Road, Bunbury, WA, 6230*

The polyethylene Sepron Sewage Ejection Pump Stations as described in the following Schedule have been accredited as sewage management facilities for use in single domestic premises in NSW.

*Director, Environmental Health
for Secretary (delegation PH335)*

Issued: *15 January 2019*

Certificate No: *SEPS007*

Expires: *31 December 2024*



Health

Accreditation Schedule

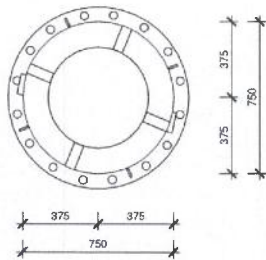
The Certificate of Accreditation applies to the following Sewage Ejection Pump Stations

Model	Description	Size
Pump Wells	Vertical axis type cylindrical rotomoulded polyethylene tank, with lid. Burial depth is restricted to 0 mm.	500 L 1000 L 1200 L 2,200 L

The Sepron polyethylene sewage ejection pump stations consists of:

- A Davey D15VA submersible blackwater pump, fitted with start, stop and high level float switches;*
- A 32 mm or 40 mm diameter PVC pressure discharge pipe fitted with a gate valve and check valve on the outlet of the pump.*
- An audible/visible alarm system with mute facility.*

APPROVED
15 JAN 2019
NSW MINISTRY OF HEALTH



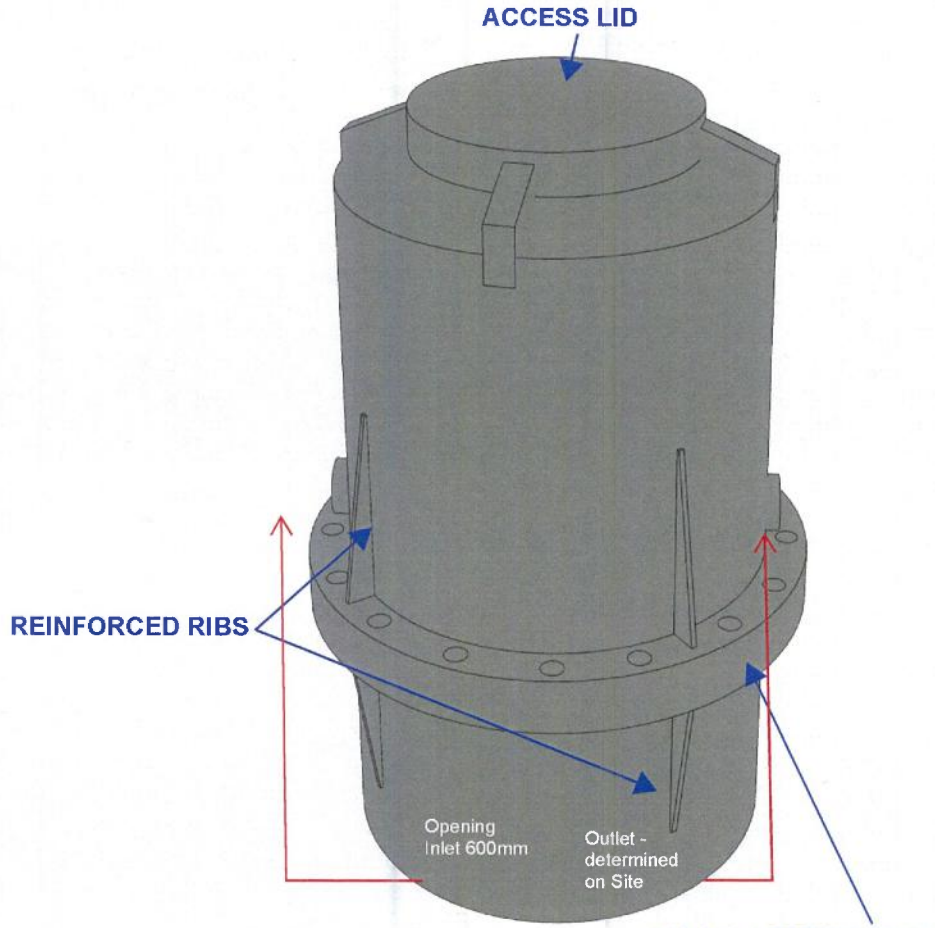
1 500 LITRE SEPTIC PLAN
 1 : 20



Patent Number:
 12956/2008

59 McCombe Road,
 Bunbury WA 6231

ABN: 19 103 247 294



2 3D PERSPECTIVE

VEEN'S
Design Drafting Service
For all your professional drawing requirements

PHONE: 9721 2525 FAX: 9721 2527
 Email: admin@veensdesigndrafting.com.au
 SUITE 1 - 25 CAREY ST STREET, BUNBURY, 6230
 www.veensdesigndrafting.com.au

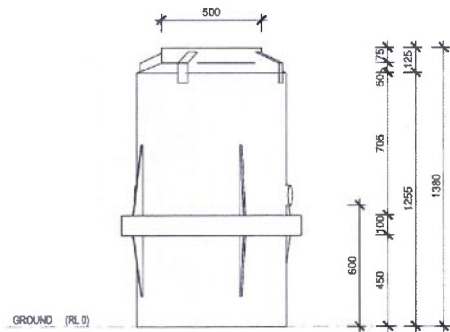
No.	Description	Date

PLAN & PERSPECTIVE

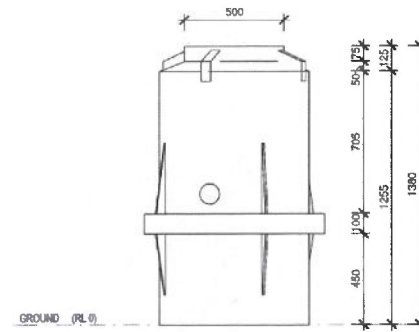
Project number	8062-13	A3-A07
Date	15/03/13	
Drawn by	MF	
Checked by	RV	
Scale	As indicated	

Name : Sepron 500lt Plastic Tank
Model : SEP500
Size : 500lt
Function - Black Water Pump Tank

4/03/2013 4:12:15 PM



1 ELEVATION 1
1 : 20



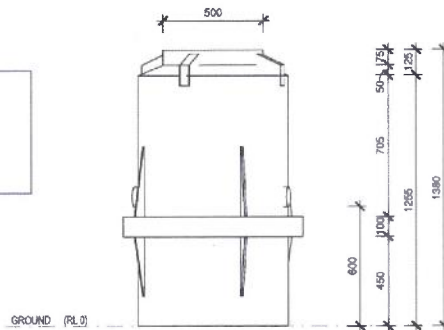
2 ELEVATION 2
1 : 20



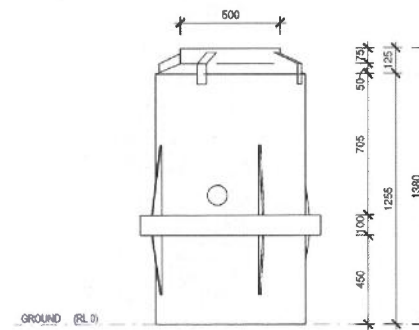
Patent Number:
12956/2008

59 McCombe Road,
Bunbury WA 6231

ABN: 19 103 247 294



3 ELEVATION 3
1 : 20



4 ELEVATION 4
1 : 20

VEEN'S
Design Drafting Service
For all your professional drafting requirements

PHONE: 9721 2526 FAX: 9721 2527
Email: admin@veensdesigndrafting.com.au
SUITE 1 - 26 CAREY STREET, BUNBURY, 6230
www.veensdesigndrafting.com.au

No.	Description	Date

500lt ELEVATIONS

Project number	8062-13
Date	15/03/13
Drawn by	MF
Checked by	RV

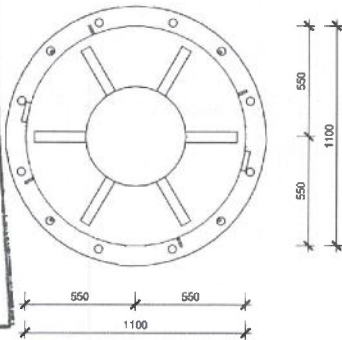
A3-A08

Scale As indicated

Name : Sepron 500lt Plastic Tank
Model : SEP500
Size : 500lt
Function - Black Water Pump Tank

4/3/2013 4:15:03 PM

APPROVED
15 JAN 2019
NSW MINISTRY OF HEALTH



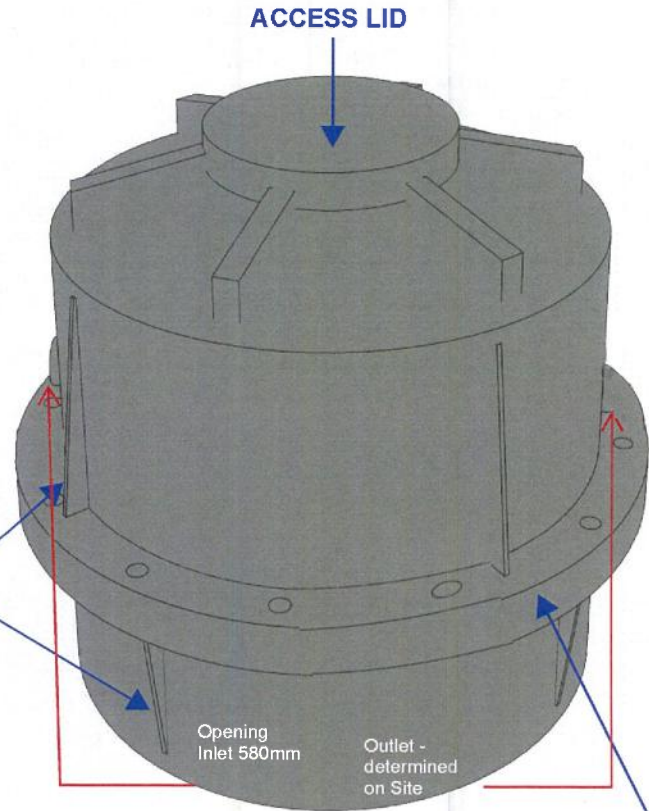
1 1000 LITRE SEPTIC PLAN
1 : 20



Patent Number:
12956/2008

59 McCombe Road,
Bunbury WA 6231

ABN: 19 103 247 294



2 3D PERSPECTIVE

ANTI FLOTATION RING

VEEN'S
Design Drafting Service
For all your professional drawing requirements

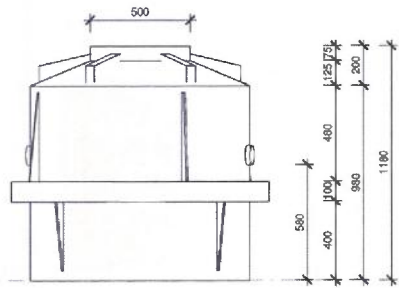
PHONE: 9721 2526 FAX: 9721 2527
Email: admin@veensdesigndrafting.com.au
SUITE 1 - 26 CAREY STREET, BUNBURY, 6230
www.veensdesigndrafting.com.au

No.	Description	Date

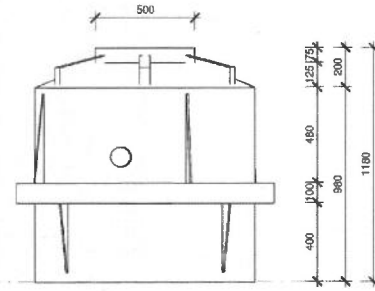
PLAN & PERSPECTIVE	
Project number	8062-13
Date	15/03/13
Drawn by	MF
Checked by	RV
Scale	As indicated

Name : Sepron 1000lt Plastic Tank
Model : SEP1000
Size : 1000lt
Function - Grey Water Pump Pit

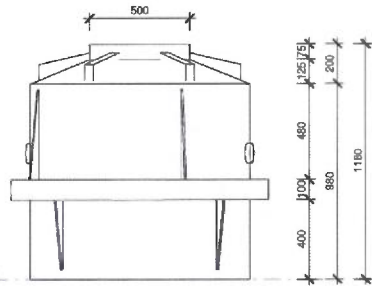
4/04/2013 4:14:01 PM



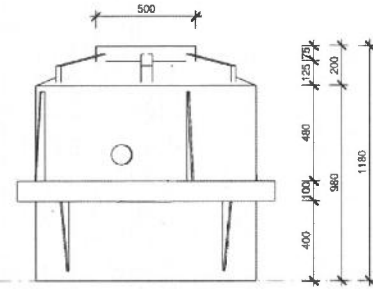
1 ELEVATION 1
1:20



2 ELEVATION 2
1:20



3 ELEVATION 3
1:20



4 ELEVATION 4
1:20



Patent Number:
12956/2008

59 McCombe Road,
Bunbury WA 6231

ABN: 19 103 247 294

VEEN'S
Design Drafting Service
For all your professional drawing requirements

PHONE: 9721 2526 FAX: 9721 2527
Email: admin@veenadesigndrafting.com.au
SUITE 1 - 26 CAREY STREET, BUNBURY, 6230
www.veenadesigndrafting.com.au

No.	Description	Date

1000lt ELEVATIONS

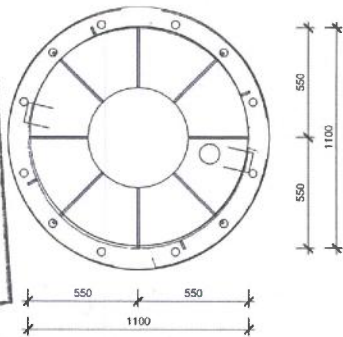
Project number	8062-13
Date	15/03/13
Drawn by	MF
Checked by	RV
Scale	As indicated

A3-A06

Name : **Sepron 1000lt Plastic Tank**
Model : **SEP1000**
Size : **1000lt**
Function - **Grey Water Pump Pit**

4/3/2013 4:14:18 PM

APPROVED
15 JAN 2019
NSW MINISTRY OF HEALTH



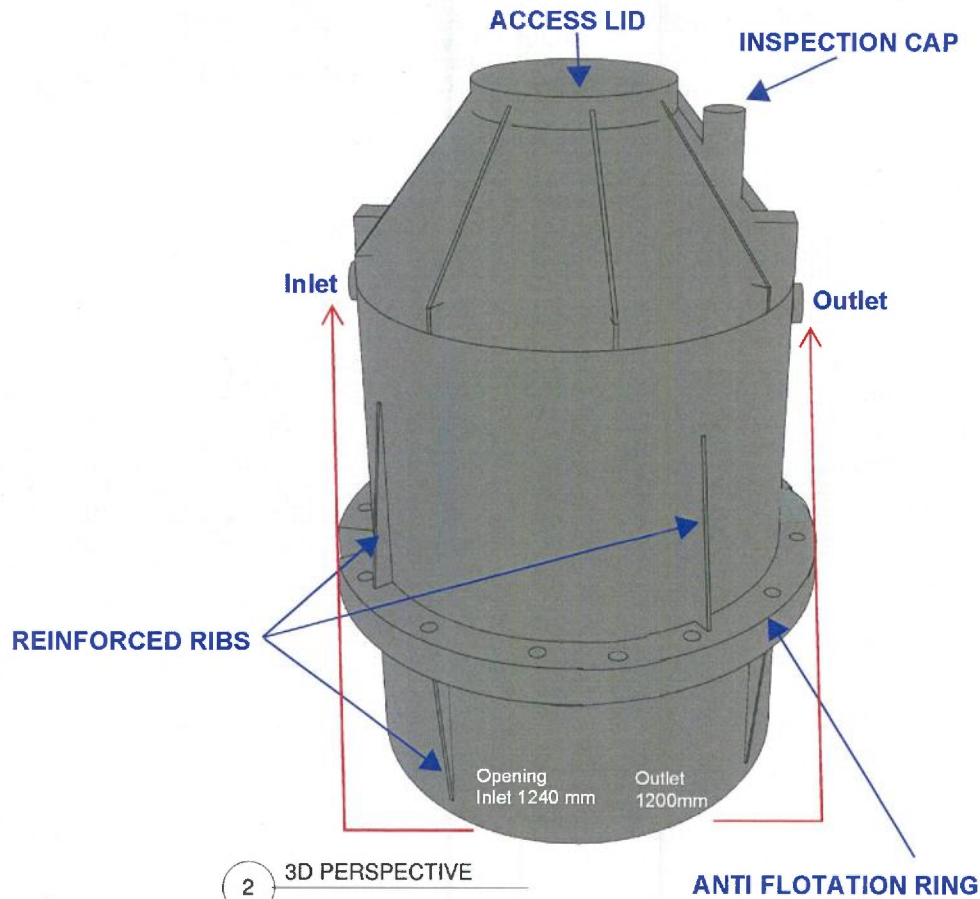
1 1200 LITRE SEPTIC PLAN
1 : 20



Patent Number:
12956/2008

59 McCombe Road,
Bunbury WA 6231

ABN: 19 103 247 294



2 3D PERSPECTIVE

VEEN'S
Design Drafting Service
For all your professional drawing requirements

PHONE: 9721 2526 FAX: 9721 2527
Email: adm@veensdesigndrafting.com.au
SUITE 1 - 26 CAREY STREET, BUNBURY, 6230
www.veensdesigndrafting.com.au

No.	Description	Date

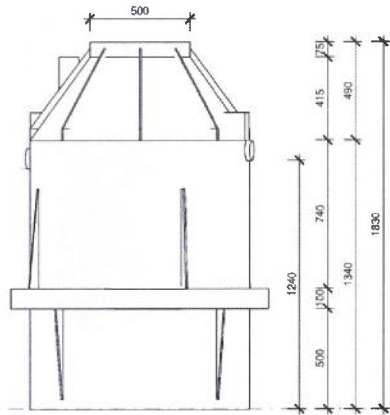
PLAN & PERSPECTIVE

Project number	8062-13
Date	15/03/13
Drawn by	MF
Checked by	RV
Scale	As indicated

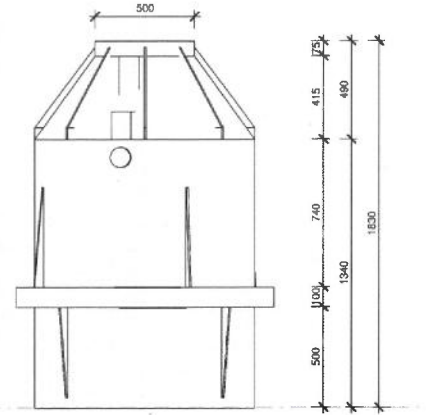
A3-A03

Name : Sepron 1200lt Plastic Tank
Model : SEP1200
Size : 1200lt
Function - Septic Waste Water Tank

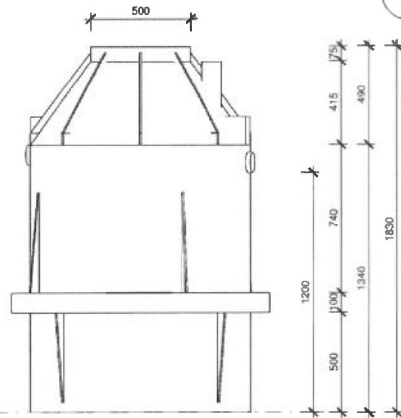
4/04/2013 4:16:01 PM



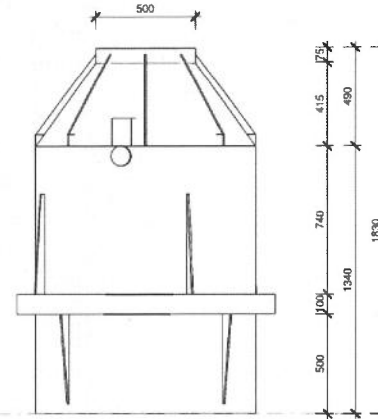
1 ELEVATION 1
1 : 20



2 ELEVATION 2
1 : 20



3 ELEVATION 3
1 : 20



4 ELEVATION 4
1 : 20



Patent Number:
12956/2008

59 McCombe Road,
Bunbury WA 6231

ABN: 19 103 247 294

VEEN'S
Design Drafting Service
For all your professional drafting requirements

PHONE: 9721 2526 FAX: 9721 2527
Email: admin@veensdesigndrafting.com.au
SUITE 1 - 26 CAREY STREET, BUNBURY, 6230
www.veensdesigndrafting.com.au

No.	Description	Date

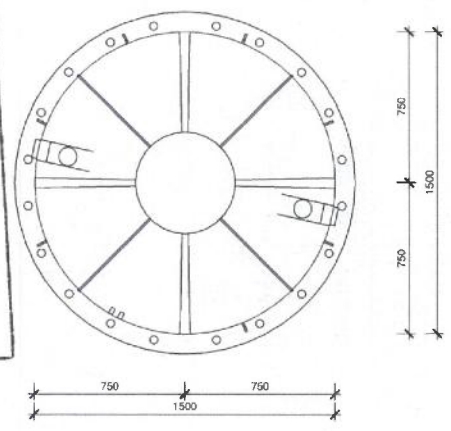
1200lt ELEVATIONS	
Project number	8062-13
Date	15/03/13
Drawn by	MF
Checked by	RV
Scale	As indicated

Name : Sepron 1200lt Plastic Tank
Model : SEP1200
Size : 1200lt
Function - Septic Waste Water Tank

A3-A04

4/03/2013 4:15:42 PM

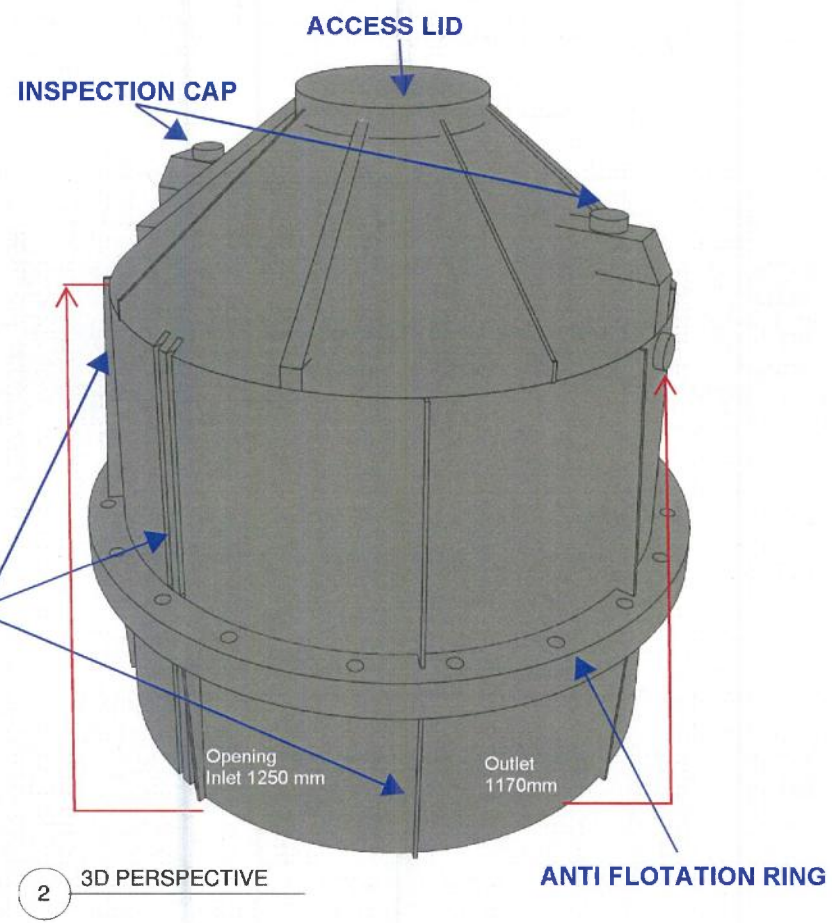
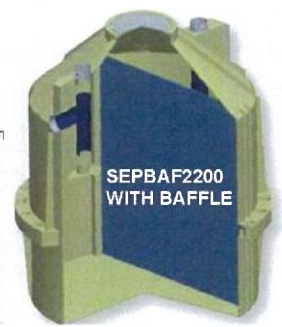
APPROVED
15 JAN 2019
 NSW MINISTRY OF HEALTH



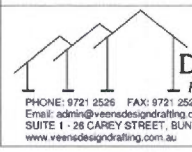
1 2200 LITRE SEPTIC PLAN
 1 : 20



Patent Number:
 12956/2008
 59 McCombe Road,
 Bunbury WA 6231
 ABN: 19 103 247 294



2 3D PERSPECTIVE



VEEN'S
Design Drafting Service
 For all your professional drawing requirements

PHONE: 9721 2526 FAX: 9721 2527
 Email: admin@veensdesigndrafting.com.au
 SUITE 1 - 28 CAREY STREET, BUNBURY, 6230
 www.veensdesigndrafting.com.au

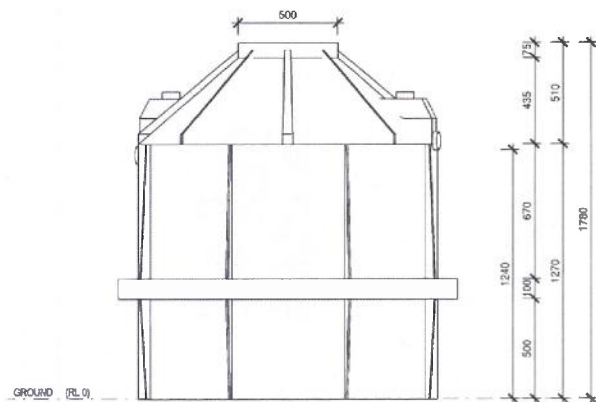


No.	Description	Date

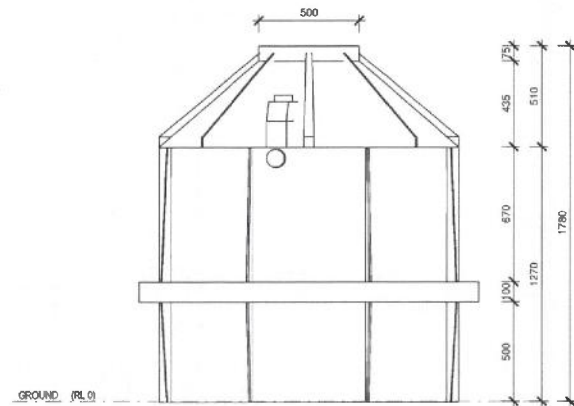
PLAN & PERSPECTIVE	
Project number	8062-13
Date	15/03/13
Drawn by	MF
Checked by	RV
Scale	As indicated

Name : Sepron 2200lt Plastic Tank
 Model : SEP2200(No Baffle) SEPBAF2200 (With Baffle)
 Size : 2200lt
 Function - Septic Waste Water Tank (Sedimentation Tank) (With/Without Baffle)

4/3/2013 4:17:27 PM



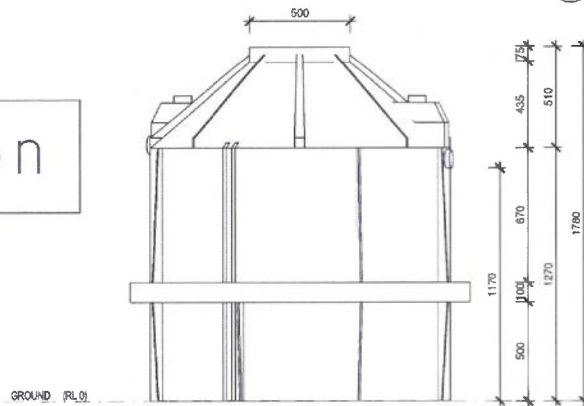
1 ELEVATION 1
1 : 20



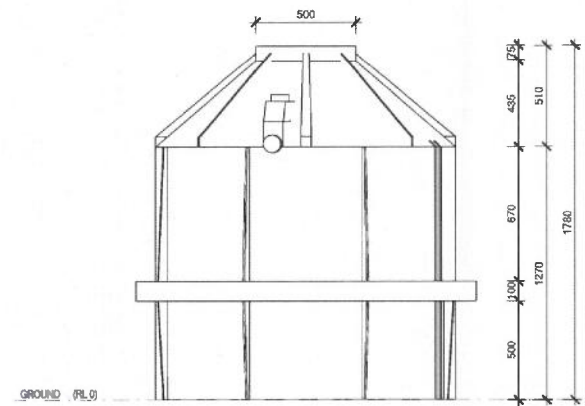
2 ELEVATION 2
1 : 20



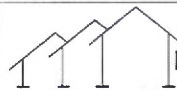
Patent Number:
12956/2008
59 McCombe Road,
Bunbury WA 6231
ABN: 19 103 247 294



3 ELEVATION 3
1 : 20



4 ELEVATION 4
1 : 20



PHONE: 9721 2526 FAX: 9721 2527
Email: admin@veen'sdesigndrafting.com.au
SUITE 1 - 26 CAREY STREET, BUNBURY, 6230
www.veen'sdesigndrafting.com.au

VEEN'S
Design Drafting Service

For all your professional drafting requirements



No.	Description	Date

2200lt ELEVATIONS

Project number	8062-13
Date	15/03/13
Drawn by	MF
Checked by	RV

A3-A02

Scale As indicated

Name : Sepron 2200lt Plastic Tank
Model : SEP2500
Size : 2200lt
Function - Septic Waste Water Tank (Sedimentation Tank) (With/Without Baffle)