



Certificate of Accreditation

Sewage Management Facility

Septic Tanks & Collection Wells

This Certificate of Accreditation is issued by the Secretary of the NSW Ministry of Health pursuant to section 41(1) of the Local Government (General) Regulation 2021.

Manufacturer: *Everhard Industries Pty Ltd*

Of: *454 Newman Road, Geebung, QLD, 4034*

The Everhard Industries Pty Ltd range of poly Septic Tanks, Collection Wells and Pump Well, as described in the following Schedule, have been accredited as sewage management facilities for use in single domestic premises in NSW.

P. Byford

*A/Director, Environmental Health
for Secretary (delegation PH335)*

Issued: *12 / Jan / 2024*

Certificate No: *STCW001*

Expires: *31 December 2028*



Accreditation Schedule

*The Certificate of Accreditation applies to the following
Septic Tanks and Collection Wells*

<i>Model</i>	<i>Description</i>	<i>Size</i>
<i>Septic Tank (with partition)</i>	<p><i>Vertical axis cylindrical (tapered) injection moulded polypropylene tank. Tank, lid, access and inspection covers contain an ultra violet stabilizer.</i></p> <p><i>4000 L tank is fitted with riser, baffle extension and tank reinforcing ring.</i></p> <p><i>Burial depth of the tank lid is restricted to 0 mm.</i></p>	<p><i>3000 L</i></p> <p><i>4000 L</i></p>
<i>Collection Well (no partition)</i>	<p><i>Vertical Axis Type cylindrical (tapered) injection moulded polypropylene tank. Tank, lid, access and inspection covers contain an ultra violet stabilizer.</i></p> <p><i>4000 L tank is fitted with a riser and tank reinforcing ring.</i></p> <p><i>Burial depth of the tank lid is restricted to 0 mm.</i></p>	<p><i>3000 L</i></p> <p><i>4000 L</i></p>
<i>Pump Wells</i>	<p><i>Vertical axis cylindrical rota moulded polyethylene tank. Certification applies only to the construction of the tank and access cover. It does not include the internal fittings.</i></p> <p><i>Burial depth of the tank lid is restricted to 0 mm.</i></p>	<p><i>Combined 250 L / 450 L</i></p> <p><i>Combined 250 L / 450 L & 600 L</i></p> <p><i>1000 L</i></p>

Product Name:
3000L Septic Tank

EI Code:
87001 - without partition
87003- with partition

Dimensions:
1875 H x 1880 D

Weight:
125kg - without partition
133kg - with partition

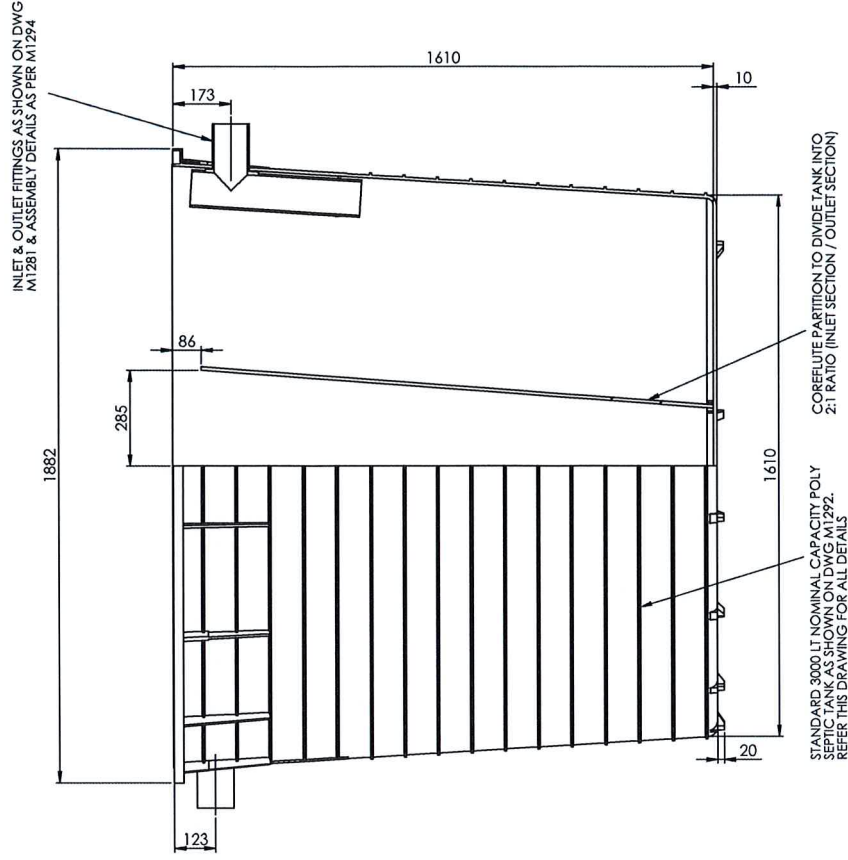
Material:
PP

Warranty:
15 Years

Additional Information:

It is a legal requirement that all domestic septic tanks over 2050L in NSW & VIC be installed with a partition. Larger capacity collection wells available using multiple tanks.

300mm Riser (87020) is available to 2500L and 3000L Septic Tanks, only one riser can be used and should not be used on the 4000L tank. The riser is supplied with a reinforcing band.



Product Code	Description	Weight kg	A Overall Height	B Liquid Level	C Tank Rim to Invert of Outlet	D Under Roof to Invert of Outlet	E Maximum Cover to Inlet Pipe	F Diameter at Top	G Maximum Cover to Outlet Pipe
87001	3000L Septic Tank with no partition	125	1875	1385	225	475	325	1880	375
87003	3000L Septic Tank with partition	133	1875	1385	225	475	325	1880	375

Disclaimer: All measurements are in millimetres and are subject to change without any prior notice. It is advised for this product to be installed by a professional contractor to ensure installation is correct. Further information is available at www.everhard.com.au

*Drawing does not include the lid of the septic tank

Product Name:
4000L Septic Tank

EI Code:
87210 - without partition
87211 - with partition

Dimensions:
2335 H x 1880 D

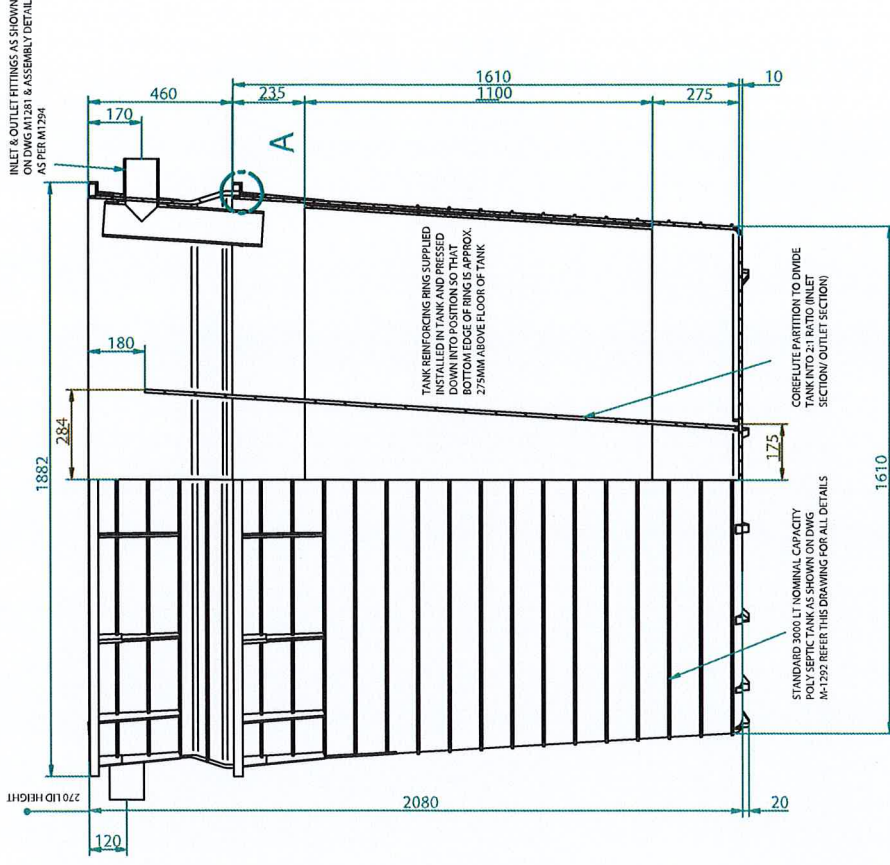
Weight:
201kg - without partition
211kg - with partition

Material:
PP

Warranty:
15 Years

Additional Information:

It is a legal requirement that all domestic septic tanks over 2050L in NSW & VIC be installed with a partition. Larger capacity collection wells available using multiple tanks.



Product Code	Description	Weight kg	A Overall Height	B Liquid Level	C Tank Rim to Invert of Outlet	D Under Roof to Invert of Outlet	E Maximum Cover to Inlet Pipe	F Diameter at Top	G Maximum Cover to Outlet Pipe
87210	4000L Septic Tank with no partition	201	2335	1845	225	475	325	1880	375
87211	4000L Septic Tank with partition	210	2335	1845	225	475	325	1880	375

Disclaimer: All measurements are in millimetres and are subject to change without any prior notice. It is advised for this product to be installed by a professional contractor to ensure installation is correct. Further information is available at www.everhard.com.au



250/450L Polymer Pump Well

SPECIFICATION SHEET

250/450L PUMP WELL

Everhard's 250/450 Pump Well has been a robust and effective solution in many domestic and industrial applications for several years. Our new spherical design provides the symmetry that our customers have been looking for with a deeper invert that provides greater flexibility in a number of usage situations.

Inlet Connections

The upper level inlet connection provides a capacity of 450 litres while lower level inlet offers a capacity of 250 litres. The Pump Well is supplied with these connection recesses closed and the chosen port can be cut using an appropriately sized hole-saw.

All of the inlet connections will accept standard DN100 uPVC DWV pipe with rubber joint rings, two of which are supplied with the Pump Well.

A connection recess in the side opposite the inlet is also moulded into the Pump Well and can be used for venting if required.

Deeper Invert

A 600mm Polymer Riser is available for use in situations where the inlet to the Pump Well needs to be deeper to obtain sufficient fall from the wastewater source.

The riser increases the depth of the Pump Well connections while keeping the access and inspection covers above ground level, however, it does not increase the tank capacity.

Easily Transported

The Polymer Pump Well's small footprint and low weight makes it economical to transport. Once on site, the Pump Well can be easily handled and manoeuvred without the need for machinery.

Ground Anchor

Transport pallet acts as a ground anchor to retain the pump well in the ground once installed. Refer to installation instructions.

Standards Mark Licensed

The Everhard Polymer Pump Well has been tested to AS/NZS1546.1 and found to comply with the Australian/New Zealand standard for vessels such as Septic Tanks and Collection Wells for use in domestic and some other situations.

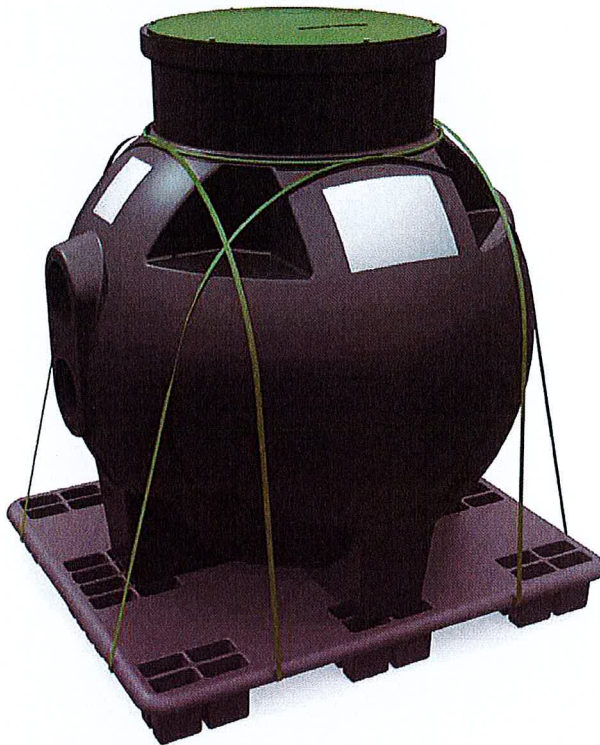
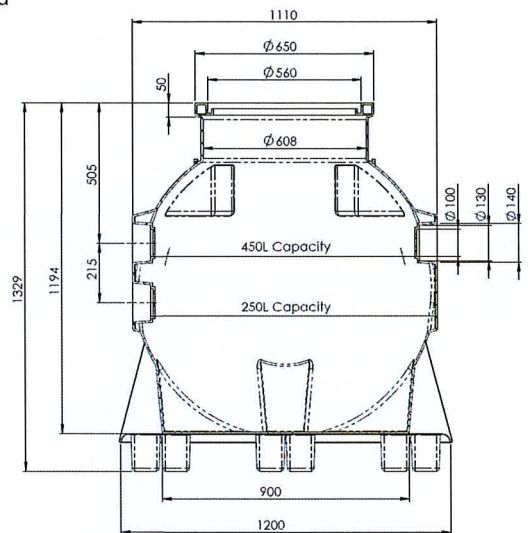
Durable

Polyethylene guarantees a high durability against dents, cracks or breaks in the material. The lawn green lid is also UV stabilised for longer life.

- 250 or 450 litre inlet capacity
- Seamless rotomoulded body
- Spherical design for increased strength
- Rubber ring seal fittings provided
- Lightweight construction
- Anchorage pockets to resist uplift
- Risers available
- Small footprint for economical transportation
- Tested to AS/NZS1546.1

Warranty

Everhard Industries provides a 15 year manufactures warranty on the polymer components and workmanship of the Pump Well.



Product Code	Description	Installation	Cover	Capacity	Weight (Kg)
82200D	Polymer Pump Well	Above and Below Ground	Class A	250/450L	44.0
82221	Pump Well Riser ϕ 630 x 600mm				18.0

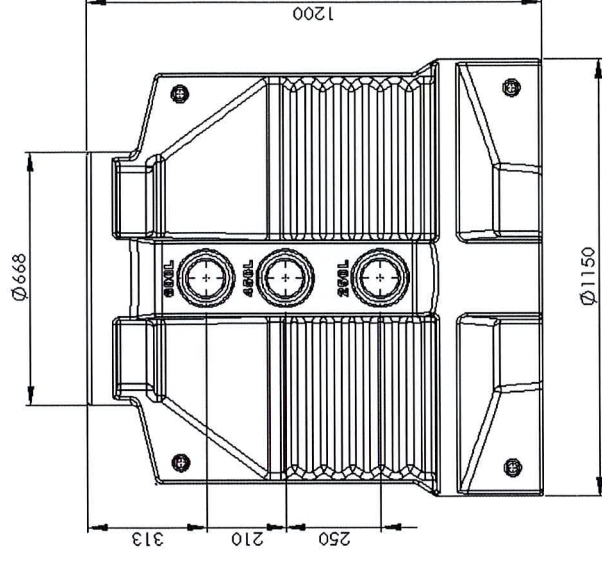
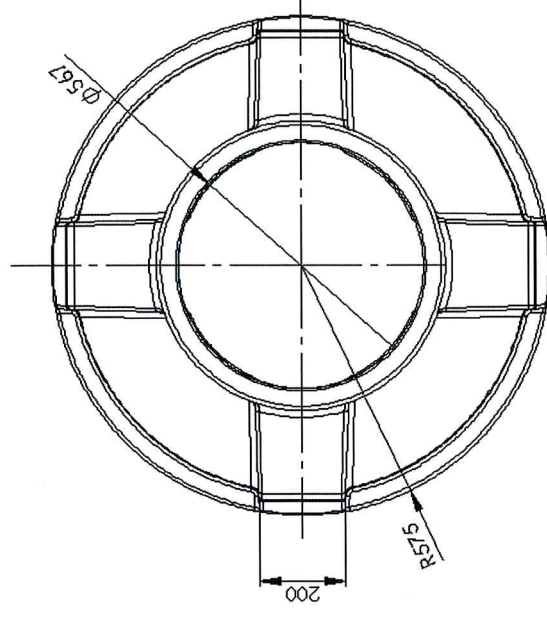
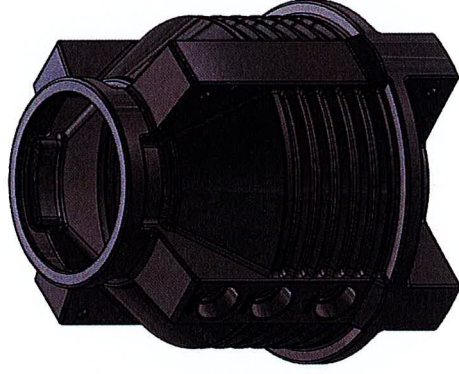
Product Name:
Pump Well 600L/450L/250L

EI Code:
82200E

Dimensions:
1200mm H x 1150mm W

Weight:
42kg

Material:
PE Low/Medium Density



Additional Information:

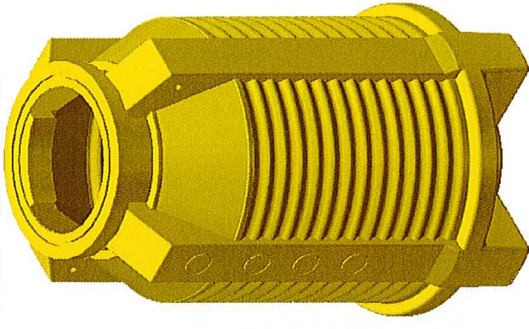
This product has been tested to and complies with:

AS1546.1:2008

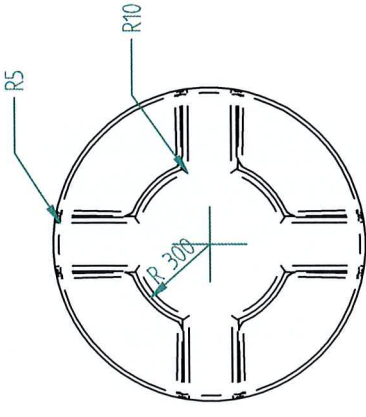
The following product can be used with this product:

EI CODE	PRODUCT DESCRIPTION
82224	Universal Riser 13kg

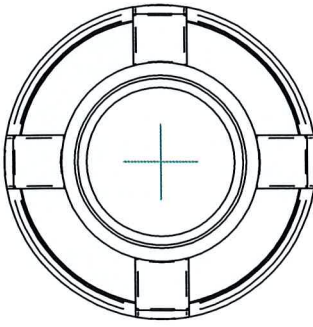
Disclaimer: All measurements are in millimetres and are subject to change without any prior notice. It is advised for this product to be installed by a professional contractor to ensure installation is correct. Further information is available at www.everhard.com.au



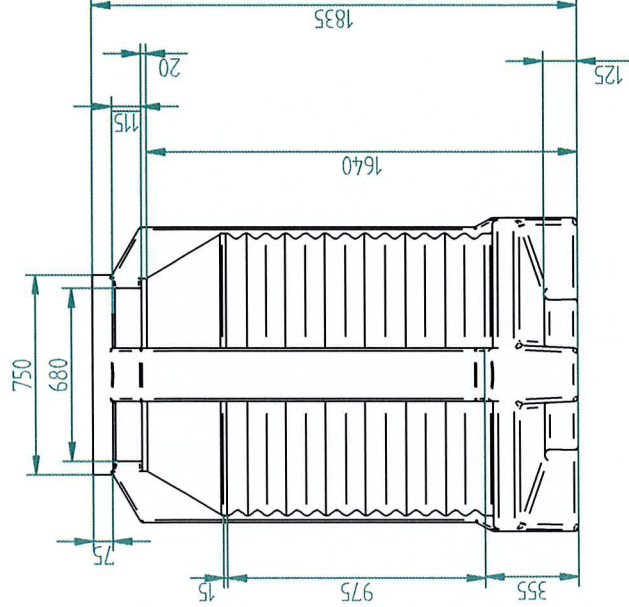
PICTORIAL



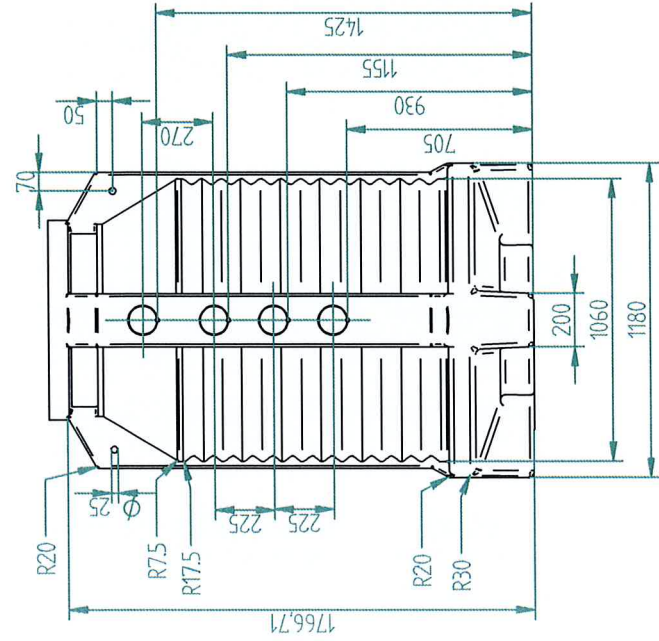
BOTTOM VIEW



TOP VIEW



SIDE VIEW



FRONT VIEW

REF. DRAWING NO.	REV.	DATE	DESCRIPTION	DRAWING	APPROVED FOR MANUFACTURE	MATERIAL	MASS	SCALE	PROD. NO.
P07350	A	27/05/2016	FOR INFORMATION ONLY	KC			90 kg	1 : 20	
				TITLE		EVERHARD INDUSTRIES PTY LTD			
				1000L PUMPWELL		405 NEWMAN ROAD, GEEBUNG, VIC. 4034 PH: (07) 3837 6444 FAX: (07) 3265 2111			
				DRAWING NUMBER		P07350			
				DATE		27/05/16			
				REVISION		A			

EVERHARD INDUSTRIES PTY LTD ACCEPTS NO LIABILITY OR RESPONSIBILITY TO THE USER OR ANY OTHER PERSON OR ENTITY WITH RESPECT TO ANY HARMFUL LOSS, DAMAGE OR INJURY CAUSED OR ALLEGED TO BE CAUSED BY EITHER DIRECTLY OR INDIRECTLY BY THE ACTUAL OR ANTICIPATED BUSINESS, INCOME, AND PROFITS, OR CONSEQUENTIAL DAMAGES FROM OR ASSOCIATED WITH THE USE OF ANY PRODUCT MADE IN ACCORDANCE WITH THIS DRAWING. HOWEVER, THIS DRAWING MUST NOT BE ASSUMED TO BE AN EQUIVALENT TO, OR A SUBSTITUTE FOR, ANY GENERAL USAGE OR PROFESSIONAL DESIGN UNLESS ANALYZED AND APPROVED AS SUCH BY AN INDEPENDENT AND APPROPRIATELY QUALIFIED PERSON IN THIS DRAWING FROM EVERHARD INDUSTRIES PTY LTD. IT IS THE USER'S RESPONSIBILITY TO ENSURE THE APPROPRIATE PRODUCT IS SELECTED & THAT THE CORRECT SCALE WHEN USING A DRAWING IS UTILISED.