



# **Certificate of Accreditation**

## **Sewage Management Facility**

### **Septic Tanks & Collection Wells**

*This Certificate of Accreditation is issued by the Secretary of the NSW Ministry of Health pursuant to section 41(1) of the Local Government (General) Regulation 2021.*

**Manufacturer:** *BioSeptic Pty Ltd t/a BioSeptic*

**Of:** *67 Smeaton Grange Road  
Smeaton Grange, NSW, 2567*

*The Septic Tanks, Collection Wells and Pump Well as described in the following Schedule have been accredited as sewage management facilities for use in single domestic premises in NSW.*

*Kishen Lachireddy*

*A/Director, Environmental Health  
for Secretary (delegation PH335)*

**Issued:** 20 / 11 / 2023

**Certificate No:** STCW003

**Expires:** 31 December 2028



## **Accreditation Schedule**

*The Certificate of Accreditation applies to the following  
Septic Tanks and Collection Wells*

Model	Description	Size
Septic Tank	Vertical axis type, cylindrical precast steel fibre reinforced concrete, with lid, access cover, inlet and outlet fittings.	3550 L 6950 L
Collection Well	Vertical axis type, cylindrical precast steel fibre reinforced concrete, with lid, access cover and inlet fitting. Certification applies only to the construction of the tank, lid and access cover. It does not include internal fittings or partitions.	3750 L 7200 L  3800 L 5000 L (2.0 dia) 5000 L (2.5 dia) 6100 L 10,000 L
Combined Septic tank/ Collection well	Vertical axis type, cylindrical precast steel fibre reinforced concrete, with lid, access cover and inlet fitting. Certification applies only to the construction of the tank, lid and access cover. It does not include internal fittings or partitions.	2300 L/4700 L  2750 L/5500 L  2300 L/6000 L

# 3550L Septic Tank



3550 Litre concrete septic tank with integrated baffle



Weight 3600kg



Up to 13 person capacity:  
• Suitable for all household waste



**LOCKABLE & LIGHTWEIGHT**  
composite resin access cover:  
• Weighs only 8.5kg and easy to lift  
• Lockable with removable turnkey



Unique **STAINLESS STEEL FILTER** fitted to the tank outlet:  
• Prevents sludge leaving the tank  
• Reduces clogging in the disposal field to extend its life



Manufactured from 40mpa wet cast concrete with fibre steel reinforcing



80mm concrete lid:  
• Reinforced with F72 steel mesh  
• Top load limit – 510kg

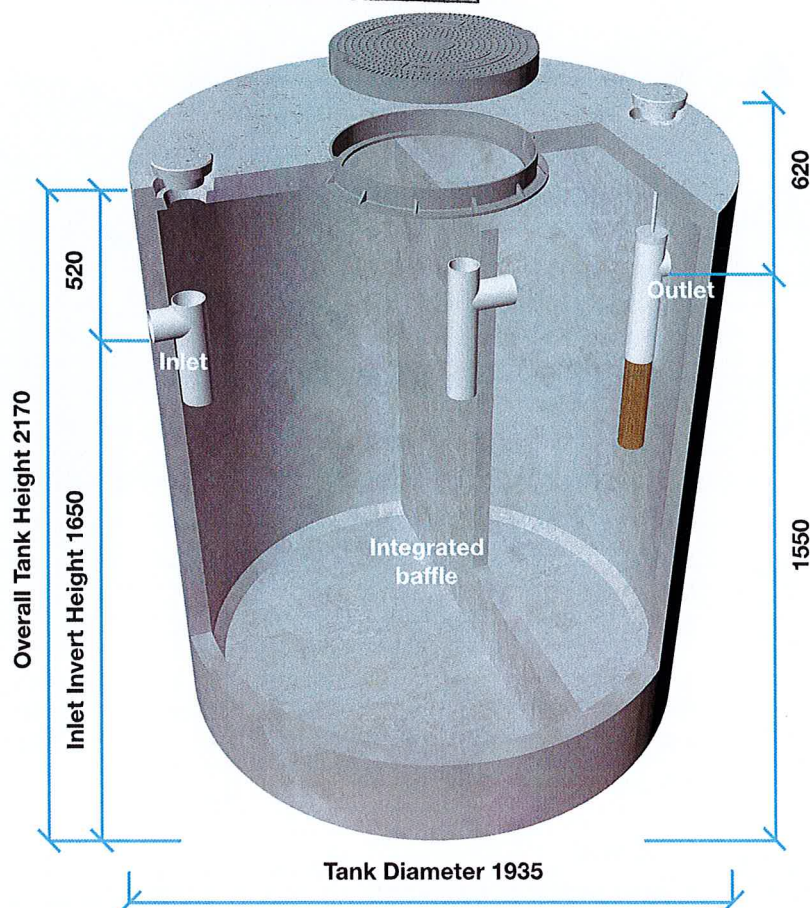


Installation:  
• Top of tank lid to be 100mm above finished ground level  
• Provide 75mm level bed of aggregate under tank

ACCREDITED

20 NOV 2023

NSW MINISTRY OF HEALTH



NSW Ministry of Health  
Certificate of Accreditation  
003-21556

67 Smeaton Grange Road,  
Smeaton Grange, NSW 2567  
EMAIL [sales@bioseptic.com.au](mailto:sales@bioseptic.com.au)  
ABN 95 056 461 226

# BIOSEPTIC

PHONE 1300 658 111

# 6950L Septic Tank



6950Litre concrete septic tank with concrete baffle



Weight 5500kg



Up to 36 person capacity:  
• Suitable for all household waste



**LOCKABLE & LIGHTWEIGHT**  
composite resin access covers:  
• Weighs only 8.5kg and easy to lift  
• Lockable with removable turnkey



Unique **STAINLESS STEEL FILTER**  
fitted to the tank outlet:  
• Prevents sludge leaving the tank  
• Reduces clogging in the disposal field to extend its life



Manufactured from 40mpa wet cast concrete with fibre steel reinforcing



80mm concrete lid:  
• Reinforced with F82 steel mesh  
• Top load limit – 510kg

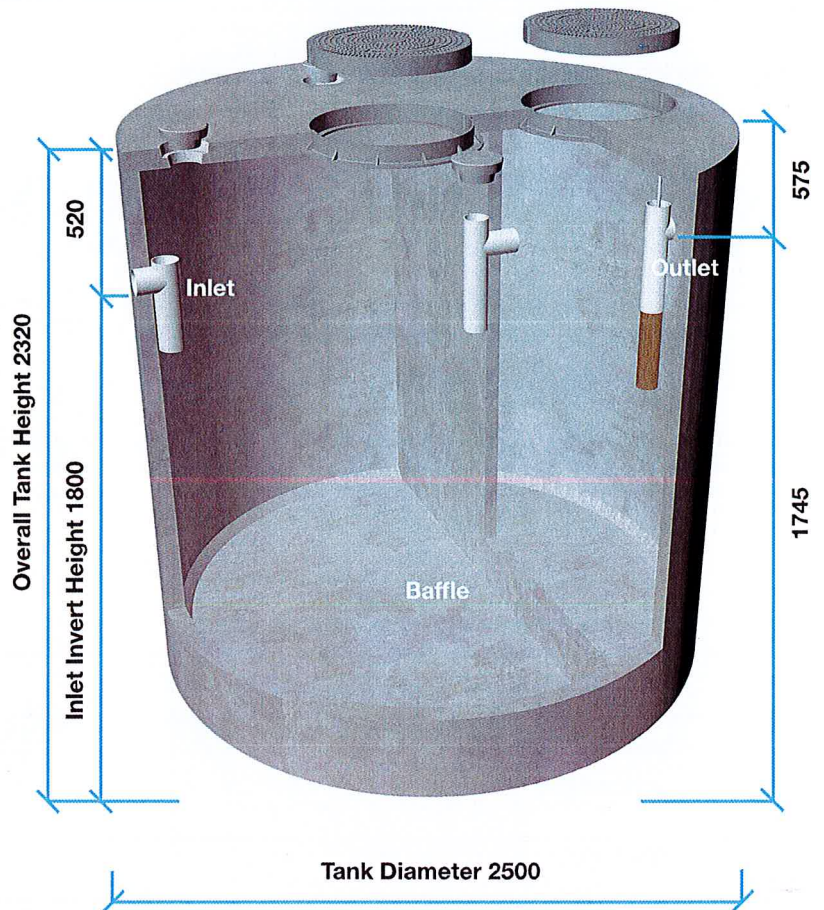


Installation:  
• Top of tank lid to be 100mm above finished ground level  
• Provide 75mm level bed of aggregate under tank

ACCREDITED

2 0 NOV 2023

NSW MINISTRY OF HEALTH



NSW Ministry  
of Health  
Certificate  
of Accreditation  
003-21556

67 Smeaton Grange Road,  
Smeaton Grange, NSW 2567  
EMAIL [sales@bioseptic.com.au](mailto:sales@bioseptic.com.au)  
ABN 95 056 461 226

# BIOSEPTIC

PHONE 1300 658 111

# 2300L/4700L Combined Septic/Pump Out Tank



2300L/4700L combined septic/  
pump out tank



Weight 5400kg



To receive all wastes from a dwelling  
or other source and store it before  
disposal by:

- Periodic removal by vacuum tanker



**LOCKABLE & LIGHTWEIGHT**  
composite resin access covers:

- Weighs only 8.5kg and easy to lift
- Lockable with removable turnkey



Manufactured from 40mpa wet cast  
concrete with fibre steel reinforcing



80mm concrete lid:

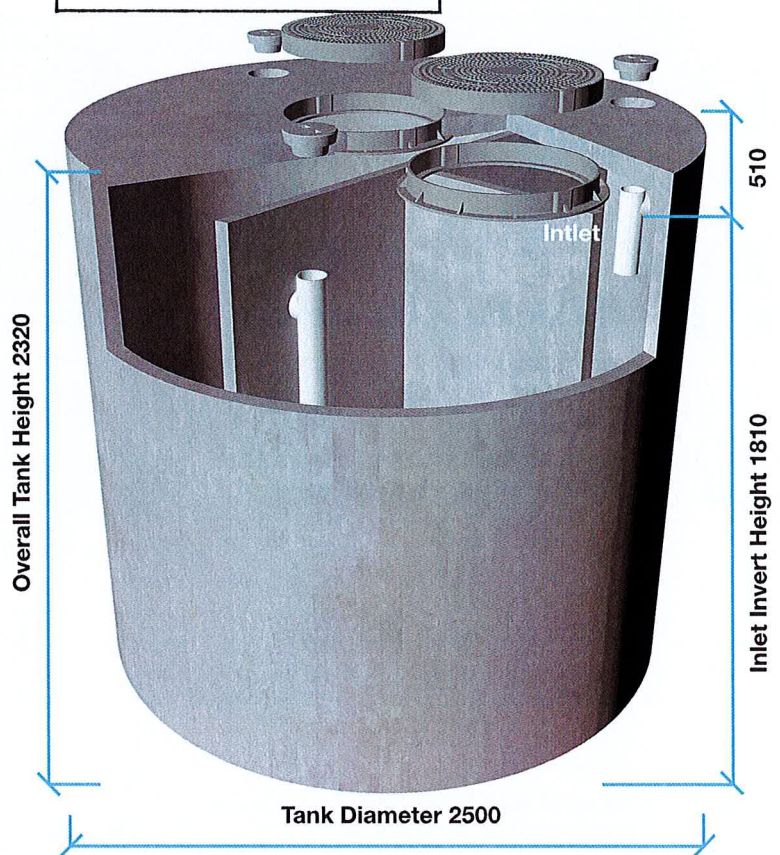
- Reinforced with F82 steel mesh
- Top load limit – 510kg



Installation:

- Top of tank lid to be 100mm  
above finished ground level
- Provide 75mm level bed of  
aggregate under tank

ACCREDITED  
20 NOV 2023  
NSW MINISTRY OF HEALTH



NSW Ministry  
of Health  
Certificate  
of Accreditation  
003-21556

67 Smeaton Grange Road,  
Smeaton Grange, NSW 2567  
EMAIL [sales@bioseptic.com.au](mailto:sales@bioseptic.com.au)  
ABN 95 056 461 226

# BIOSEPTIC

PHONE 1300 658 111

# 2300L/6000L Combined Septic/Pump Out Tank



ACCREDITED  
20 NOV 2023  
NSW MINISTRY OF HEALTH



2300L/6000L combined septic/  
pump out tank



Weight 5400kg



To receive all wastes from a dwelling  
or other source and store it before  
disposal by:

- Periodic removal by vacuum tanker



**LOCKABLE & LIGHTWEIGHT**  
composite resin access covers:

- Weighs only 8.5kg and easy to lift
- Lockable with removable turnkey



Manufactured from 40mpa wet cast  
concrete with fibre steel reinforcing



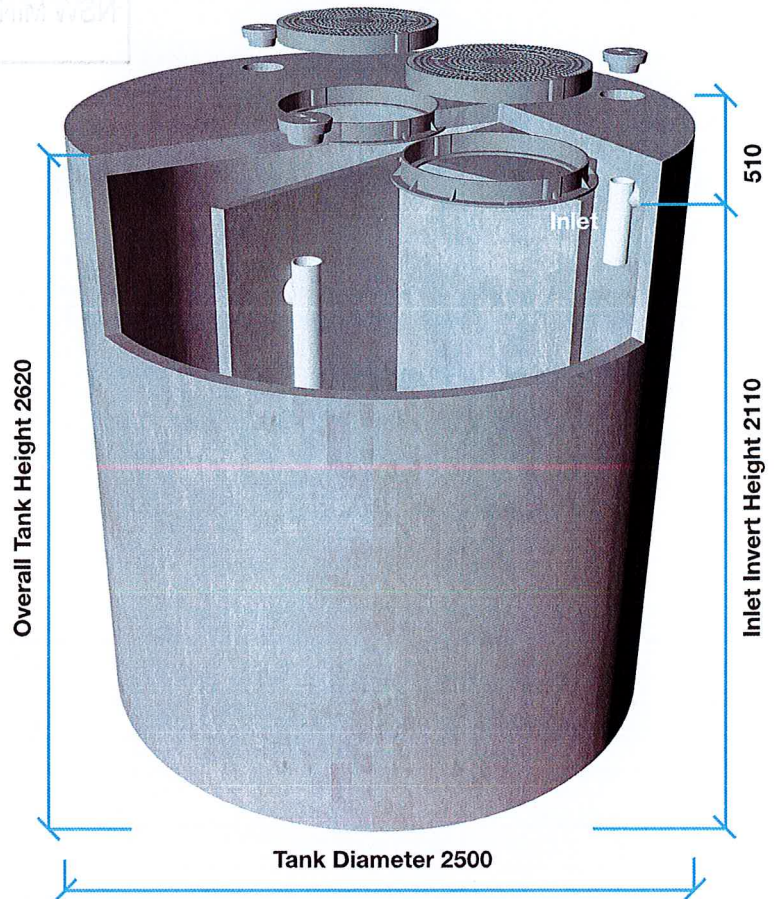
80mm concrete lid:

- Reinforced with F82 steel mesh
- Top load limit – 510kg



Installation:

- Top of tank lid to be 100mm  
above finished ground level
- Provide 75mm level bed of  
aggregate under tank



NSW Ministry  
of Health  
Certificate  
of Accreditation  
003-21556

67 Smeaton Grange Road,  
Smeaton Grange, NSW 2567  
EMAIL [sales@bioseptic.com.au](mailto:sales@bioseptic.com.au)  
ABN 95 056 461 226

# BIOSEPTIC

PHONE 1300 658 111

# 2750L/5500L Combined Septic/Pump Out Tank



2750L/5500L combined septic/  
pump out tank



Weight 5600kg



To receive all wastes from a dwelling  
or other source and store it before  
disposal by:

- Periodic removal by vacuum tanker



**LOCKABLE & LIGHTWEIGHT**  
composite resin access covers:

- Weighs only 8.5kg and easy to lift
- Lockable with removable turnkey



Manufactured from 40mpa wet cast  
concrete with fibre steel reinforcing



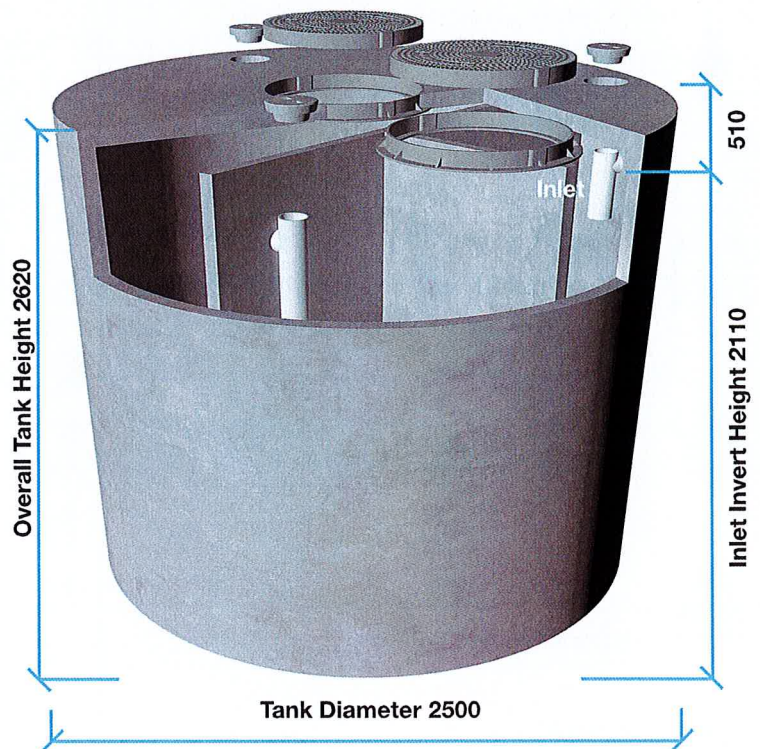
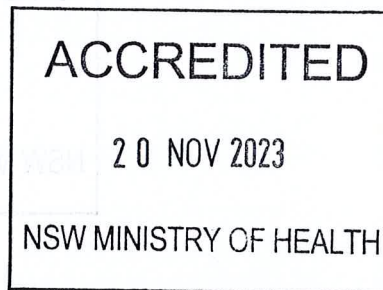
80mm concrete lid:

- Reinforced with F82 steel mesh
- Top load limit – 510kg



Installation:

- Top of tank lid to be 100mm  
above finished ground level
- Provide 75mm level bed of  
aggregate under tank



NSW Ministry  
of Health  
Certificate  
of Accreditation  
003-21556

67 Smeaton Grange Road,  
Smeaton Grange, NSW 2567  
EMAIL [sales@bioseptic.com.au](mailto:sales@bioseptic.com.au)  
ABN 95 056 461 226

# BIOSEPTIC

PHONE 1300 658 111

# 3750L Collection Well



3750Litre concrete collection well



Weight 2750kg



To collect sullage water from a septic tank for disposal by:

- Periodic removal by vacuum tanker
- Pump to disposal area/trench/sewer



### LOCKABLE & LIGHTWEIGHT

composite resin access covers:

- Weighs only 8.5kg and easy to lift
- Lockable with removable turnkey



Manufactured from 40mpa wet cast concrete with fibre steel reinforcing



80mm concrete lid:

- Reinforced with F72 steel mesh
- Top load limit – 510kg



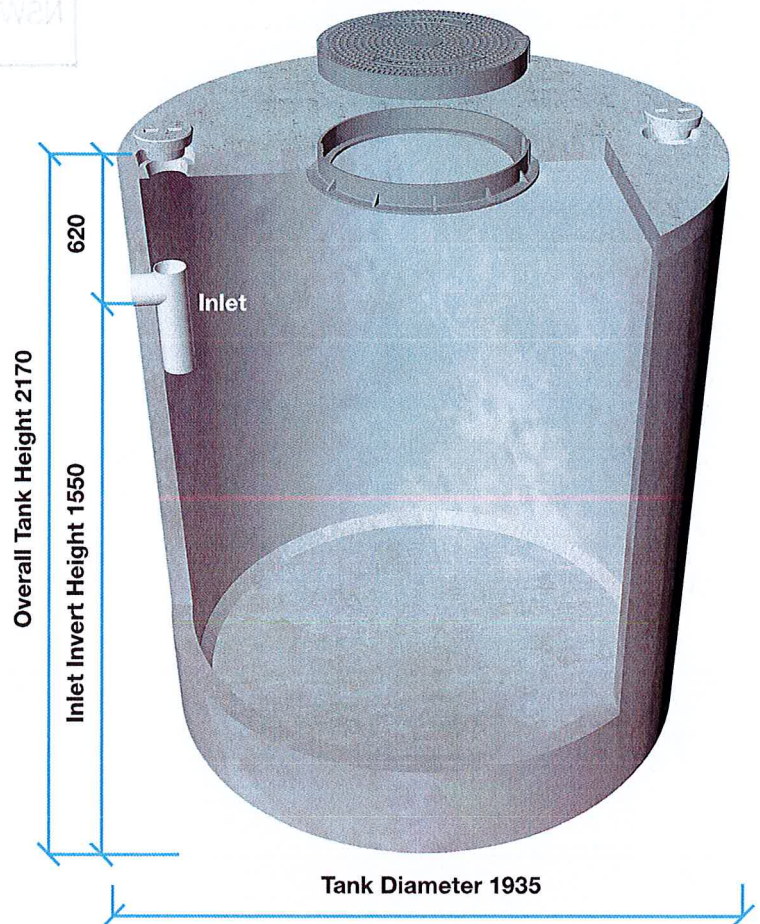
Installation:

- Top of tank lid to be 100mm above finished ground level
- Provide 75mm level bed of aggregate under tank

ACCREDITED

20 NOV 2023

NSW MINISTRY OF HEALTH



NSW Ministry of Health  
Certificate of Accreditation  
003-21556

67 Smeaton Grange Road,  
Smeaton Grange, NSW 2567  
EMAIL [sales@bioseptic.com.au](mailto:sales@bioseptic.com.au)  
ABN 95 056 461 226

# BIOSEPTIC

PHONE 1300 658 111



# 7200L Collection Well



7200Litre concrete collection well



Weight 4400kg



To collect sullage water from a septic tank for disposal by:

- Periodic removal by vacuum tanker
- Pump to disposal area/trench/sewer



**LOCKABLE & LIGHTWEIGHT** composite resin access covers:

- Weighs only 8.5kg and easy to lift
- Lockable with removable turnkey



Manufactured from 40mpa wet cast concrete with fibre steel reinforcing



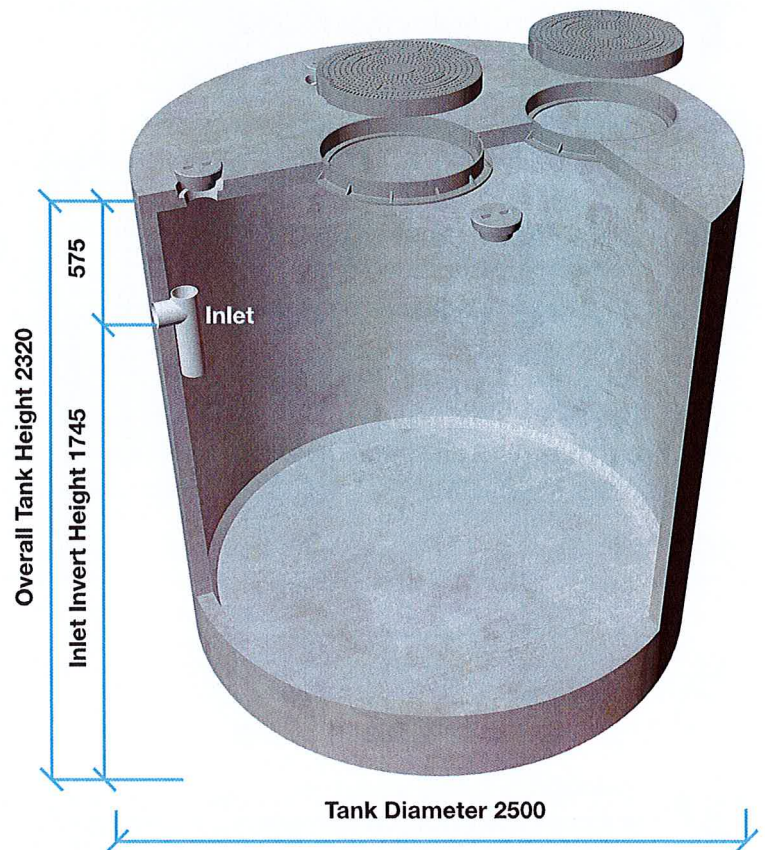
80mm concrete lid:

- Reinforced with F82 steel mesh
- Top load limit – 510kg



Installation:

- Top of tank lid to be 100mm above finished ground level
- Provide 75mm level bed of aggregate under tank



NSW Ministry of Health  
Certificate of Accreditation  
003-21556

67 Smeaton Grange Road,  
Smeaton Grange, NSW 2567  
EMAIL [sales@bioseptic.com.au](mailto:sales@bioseptic.com.au)  
ABN 95 056 461 226

# BIOSEPTIC

PHONE 1300 658 111

# 3800L Collection Well



3800Litre concrete collection well



Weight 3950kg



To collect sullage water from a septic tank for disposal by:

- Periodic removal by vacuum tanker
- Pump to disposal area/trench/sewer



Suitable for use as a water tank or Onsite Detention Tank (OSD)



**LOCKABLE & LIGHTWEIGHT** composite resin access cover:

- Weighs only 8.5kg and easy to lift
- Lockable with removable turnkey
- Sealed to prevent the ingress of surface water
- Access turret can be extended to increase fall into tank



Manufactured from 40mpa wet cast concrete with fibre steel reinforcing



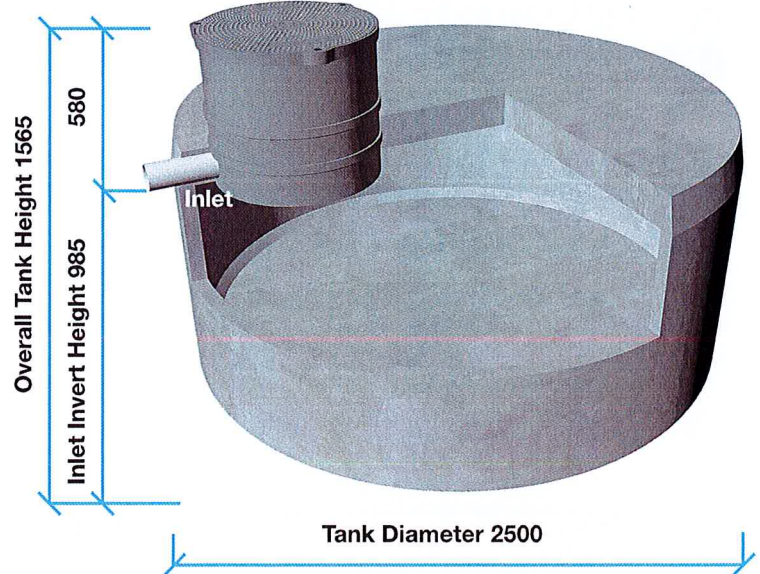
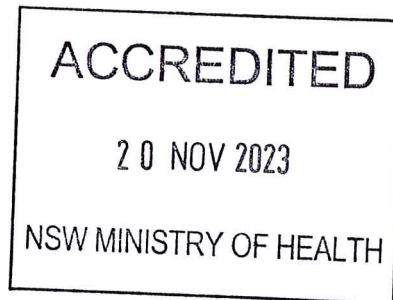
150mm concrete lid tested to 3000kg:

- Reinforced with F82 steel mesh
- Access cover top load limit – 510kg



Installation:

- Top of turret lid can be flush with finished ground level
- Provide 75mm level bed of aggregate under tank



NSW Ministry of Health  
Certificate of Accreditation  
003-21556

67 Smeaton Grange Road,  
Smeaton Grange, NSW 2567  
EMAIL [sales@bioseptic.com.au](mailto:sales@bioseptic.com.au)  
ABN 95 056 461 226

# BIOSEPTIC

PHONE 1300 658 111

# 5000L 2.0m diameter Collection Well



5000Litre 2.0m diameter  
concrete collection well



Weight 3250kg



To collect sullage water from a septic  
tank for disposal by:

- Periodic removal by vacuum tanker
- Pump to disposal area/trench/sewer



Retention feet to prevent flotation:

- In rock or high water table  
locations, consider backfilling with  
2.0m<sup>3</sup> concrete.



Suitable for use as a water tank or  
Onsite Detention Tank (OSD)



**LOCKABLE & LIGHTWEIGHT**  
composite resin access cover:

- Weighs only 8.5kg and easy to lift
- Lockable with removable turnkey
- Sealed to prevent the ingress of  
surface water
- Access turret can be extended to  
increase fall into tank



Manufactured from 40mpa wet cast  
concrete with fibre steel reinforcing



150mm concrete lid:

- Reinforced with F82 steel mesh
- Access cover top load limit – 510kg



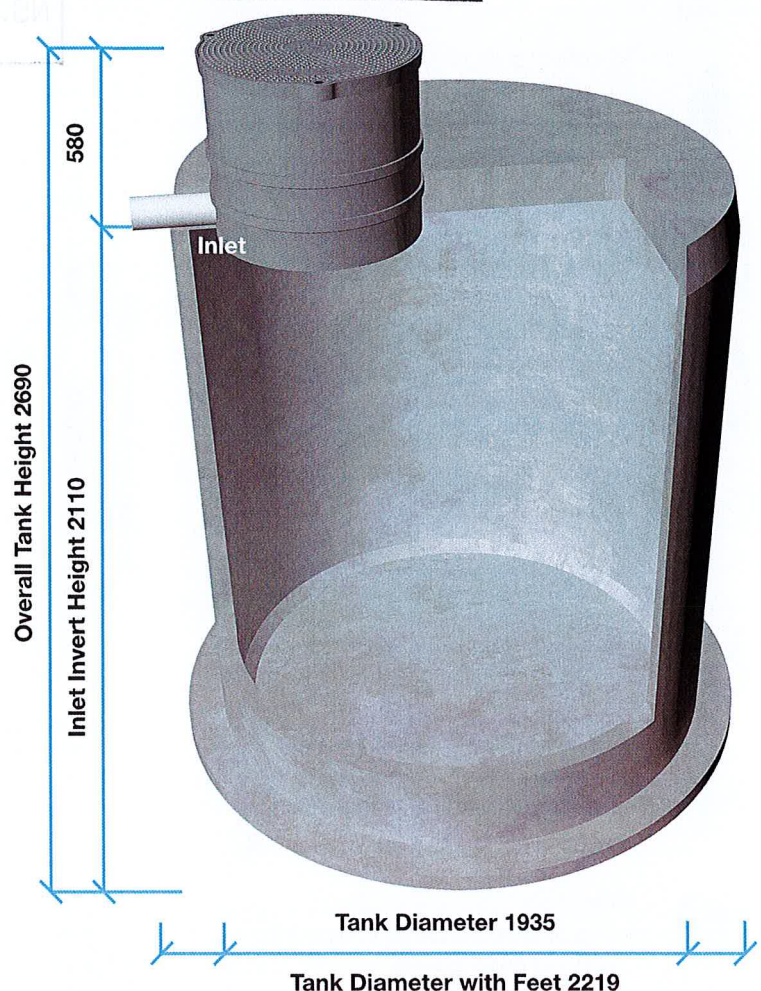
Installation:

- Top of turret lid can be flush with  
finished ground level
- Provide 75mm level bed of  
aggregate under tank

ACCREDITED

20 NOV 2023

NSW MINISTRY OF HEALTH



NSW Ministry  
of Health  
Certificate  
of Accreditation  
003-21556

67 Smeaton Grange Road,  
Smeaton Grange, NSW 2567  
EMAIL [sales@bioseptic.com.au](mailto:sales@bioseptic.com.au)  
ABN 95 056 461 226

# BIOSEPTIC

PHONE 1300 658 111

# 5000L 2.5m diameter Collection Well



5000Litre 2.5m diameter  
concrete collection well



Weight 4100kg



To collect sullage water from a septic  
tank for disposal by:

- Periodic removal by vacuum tanker
- Pump to disposal area/trench/sewer



Suitable for use as a water tank or  
Onsite Detention Tank (OSD)



**LOCKABLE & LIGHTWEIGHT**  
composite resin access cover:

- Weighs only 8.5kg and easy to lift
- Lockable with removable turnkey
- Sealed to prevent the ingress of  
surface water
- Access turret can be extended to  
increase fall into tank



Manufactured from 40mpa wet cast  
concrete with fibre steel reinforcing



150mm concrete lid tested  
to 3000kg:

- Reinforced with F82 steel mesh
- Access cover top load limit – 510kg



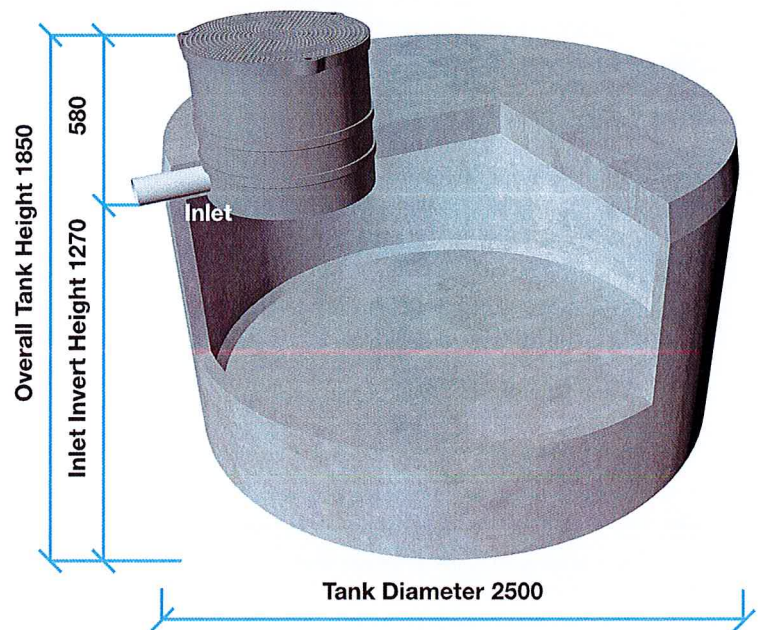
Installation:

- Top of turret lid can be flush with  
finished ground level
- Provide 75mm level bed of  
aggregate under tank

ACCREDITED

20 NOV 2023

NSW MINISTRY OF HEALTH



NSW Ministry  
of Health  
Certificate  
of Accreditation  
003-21556

67 Smeaton Grange Road,  
Smeaton Grange, NSW 2567  
EMAIL [sales@bioseptic.com.au](mailto:sales@bioseptic.com.au)  
ABN 95 056 461 226

# BIOSEPTIC

PHONE 1300 658 111

# 6100L Collection Well



6100Litre 2.5m diameter  
concrete collection well



Weight 4400kg



To collect sullage water from a septic  
tank for disposal by:

- Periodic removal by vacuum tanker
- Pump to disposal area/trench/sewer



Suitable for use as a water tank or  
Onsite Detention Tank (OSD)



**LOCKABLE & LIGHTWEIGHT**  
composite resin access cover:

- Weighs only 8.5kg and easy to lift
- Lockable with removable turnkey
- Sealed to prevent the ingress of surface water
- Access turret can be extended to increase fall into tank



Manufactured from 40mpa wet cast  
concrete with fibre steel reinforcing



150mm concrete lid tested  
to 3000kg:

- Reinforced with F82 steel mesh
- Access cover top load limit – 510kg



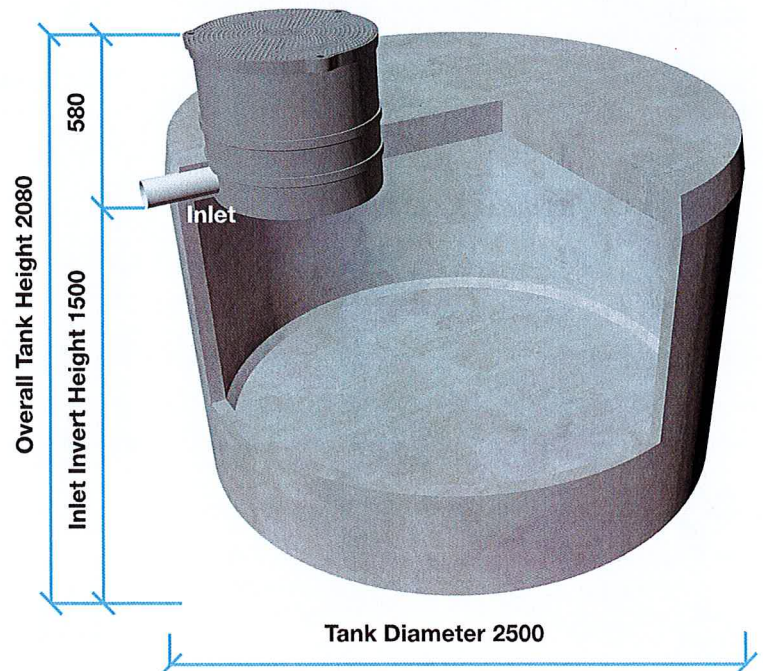
Installation:

- Top of turret lid can be flush with finished ground level
- Provide 75mm level bed of aggregate under tank

ACCREDITED

20 NOV 2023

NSW MINISTRY OF HEALTH



NSW Ministry  
of Health  
Certificate  
of Accreditation  
003-21556

67 Smeaton Grange Road,  
Smeaton Grange, NSW 2567  
EMAIL [sales@bioseptic.com.au](mailto:sales@bioseptic.com.au)  
ABN 95 056 461 226

# BIOSEPTIC

PHONE 1300 658 111

# 10,000L Collection Well



10,000Litre 2.5m diameter  
concrete collection well



Weight 5400kg



To collect sullage water from a septic tank for disposal by:

- Periodic removal by vacuum tanker
- Pump to disposal area/trench/sewer



Retention feet to prevent flotation:

- In rock or high water table locations, consider backfilling with 2.0m<sup>3</sup> concrete.



Suitable for use as a water tank or Onsite Detention Tank (OSD)



**LOCKABLE & LIGHTWEIGHT**  
composite resin access cover:

- Weighs only 8.5kg and easy to lift
- Lockable with removable turnkey
- Sealed to prevent the ingress of surface water
- Access turret can be extended to increase fall into tank



Manufactured from 40mpa wet cast concrete with fibre steel reinforcing



150mm concrete lid tested to 3000kg:

- Reinforced with F82 steel mesh
- Access cover top load limit – 510kg



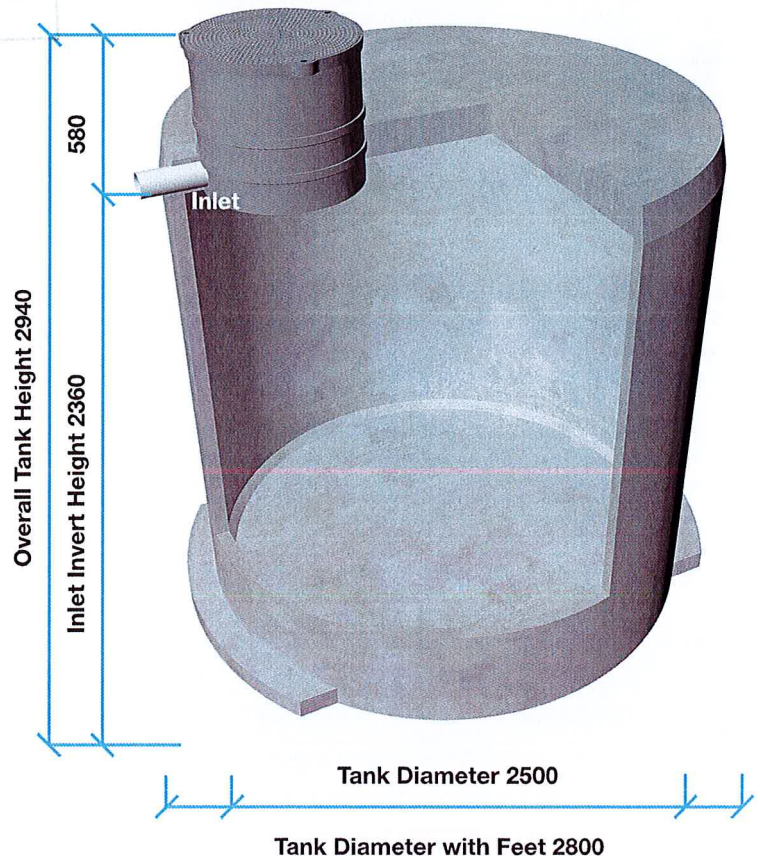
Installation:

- Top of turret lid can be flush with finished ground level
- Provide 75mm level bed of aggregate under tank

ACCREDITED

20 NOV 2023

NSW MINISTRY OF HEALTH



NSW Ministry  
of Health  
Certificate  
of Accreditation  
003-21556

67 Smeaton Grange Road,  
Smeaton Grange, NSW 2567  
EMAIL [sales@bioseptic.com.au](mailto:sales@bioseptic.com.au)  
ABN 95 056 461 226

# BIOSEPTIC

PHONE 1300 658 111

# 1100L Sewage Ejection Pump Station



1100Litre Sewage Ejection Pump Station



Weight 1500kg



To collect and transfer raw sewage or sullage water



Single or dual pumps with non-return and shut off valves to suit the site requirements:

- with high water audio/visual alarm



Retention feet to prevent flotation:

- When backfill is suitably placed and compacted in accordance with AS3798-2007 the pump station will have a resistance to floating of 3kN



### LOCKABLE & LIGHTWEIGHT

composite resin access cover:

- Weighs only 8.5kg and easy to lift
- Lockable with removable turnkey
- Sealed to prevent the ingress of surface water
- Access turret can be extended to increase fall into tank



Manufactured from 40mpa wet cast concrete with fibre steel reinforcing



100mm concrete lid:

- Reinforced with F72 steel mesh
- Top load limit – 510kg



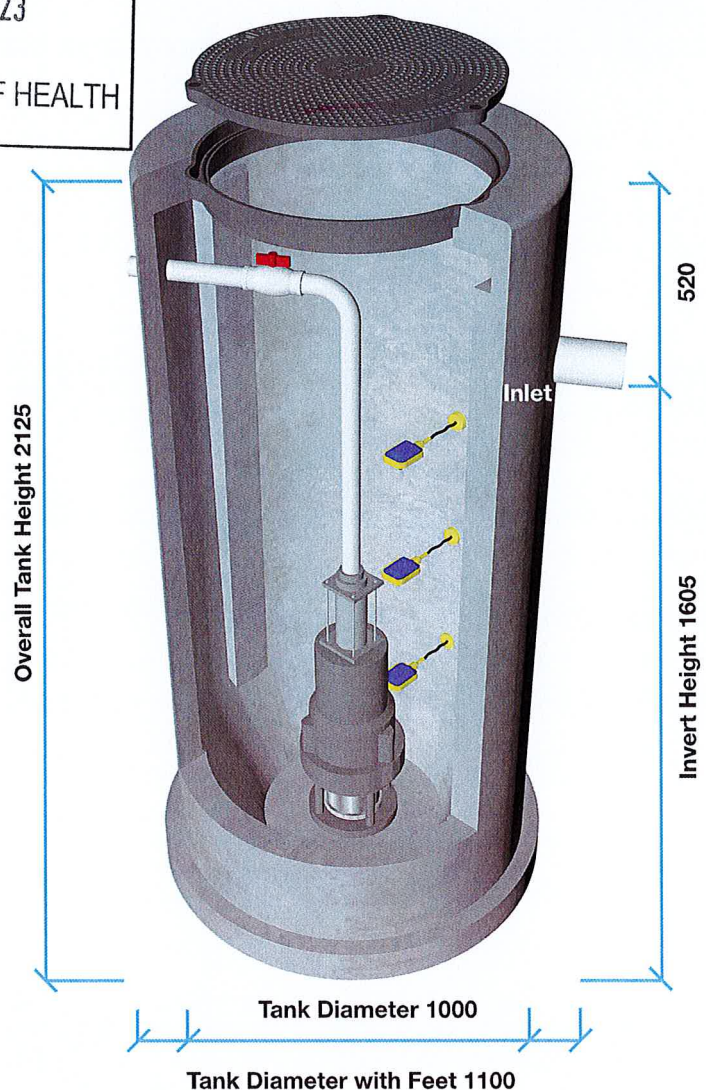
Installation:

- Top of tank lid to be 100mm above finished ground level
- Provide 75mm level bed of aggregate under tank

ACCREDITED

20 NOV 2023

NSW MINISTRY OF HEALTH



NSW Ministry of Health Certificate of Accreditation 003-21556

67 Smeaton Grange Road, Smeaton Grange, NSW 2567  
 EMAIL sales@bioseptic.com.au  
 ABN 95 056 461 226

# BIOSEPTIC

PHONE 1300 658 111