



Health

Certificate of Accreditation

Sewage Management Facility

Septic Tanks & Collection Wells

This Certificate of Accreditation is issued by the Secretary of the NSW Ministry of Health pursuant to Clause 41(1) of the Local Government (General) Regulation 2005.

Manufacturer: SPE Polytech Pty Ltd

Of: PO Box 314, Ettalong, NSW, 2257

The SPE Polytech Pump Wells and Collection Wells, manufactured under agreement by Rotadyne Pty Ltd, as described in the following Schedule have been accredited as sewage management facilities for use in single domestic premises in NSW.

*A/Director, Environmental Health
for Secretary (delegation PH335)*

Issued: 11 September 2018

Certificate No: STCW006

Expires: 31 December 2023



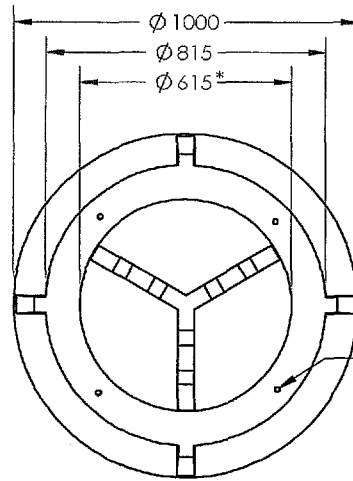
Health

Accreditation Schedule

*The Certificate of Accreditation applies to the following
Pump Wells and Collection Wells*

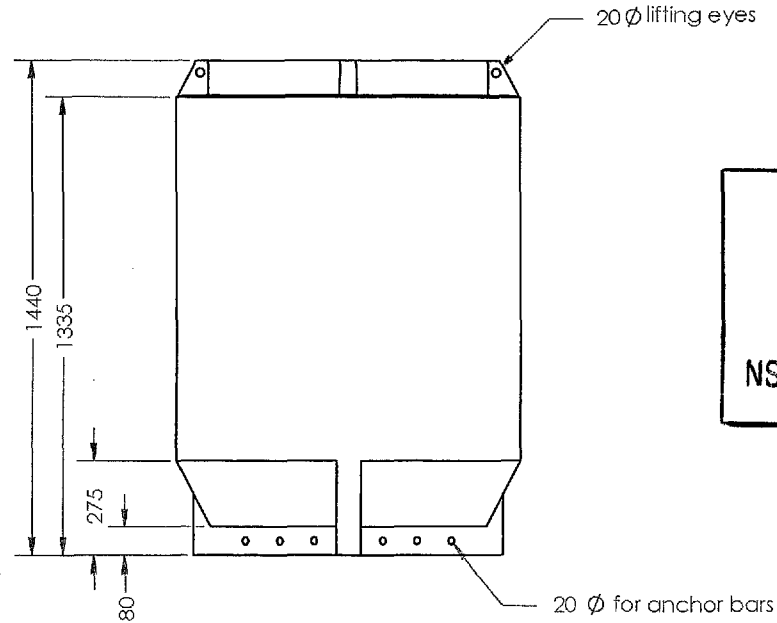
Model	Description	Dimensions (diameter x depth)	Capacity
Pump well	<p>Cylindrical vertical axis roto-moulded polyethylene plastic pump well</p> <p>Certification applies only to the construction of the tank, inlet fitting and access cover. It does not include internal fittings.</p>	<p>800 x 1260 850 x 2160 1000 x 1545 1000 x 2100 1400 x 1600 1400 x 2000</p>	<p>590 L 1050 L 1050 L 1460 L 1880 L 2780 L</p>
Collection well	<p>Cylindrical vertical axis roto-moulded polyethylene plastic collection well</p> <p>Certification applies only to the construction of the tank, inlet fitting and access cover. It does not include internal fittings.</p>	<p>1400 x 1600 1400 x 2000 1400 x 2320 1400 x 3000 1400 x 3250 1950 x 2250 8500 x 3250</p>	<p>1880 L 2780 L 3150 L 4100 L 4500 L 6100 L 8500 L</p>

DO NOT SCALE DRAWING



* 600 x 600 opening also available

4 x M8 Inserts
Ø 760 PCD



20 Ø lifting eyes

20 Ø for anchor bars

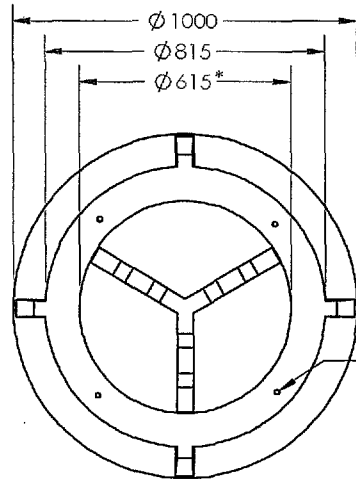
APPROVED
11 SEP 2018
NSW MINISTRY OF HEALTH

SPE #2152 (R or S) - 1050L Tank -1000 x 1440 round or square opening

DIMENSIONS ARE IN MM		NAME	DATE	Rev Number
TOLERANCES:		DRAWN	16/08/2018	Model #2152 - 1050L Tank 1000 x 1440
ANGULAR ± 0.5		CHECK		Rectangular or round opening
NO DECIMAL PLACE ± 1.0		MATERIAL	Virgin LLDPE	
ONE DECIMAL PLACE ± 0.5		FINISH	Mat Black	
TWO DECIMAL PLACE ± 0.1		REV:		
SHEET 1 OF 1				PROPRIETARY AND CONFIDENTIAL PROPERTY OF SPE POLYTECH THIS DRAWING IS UNCLASSIFIED AND AVAILABLE TO THE PUBLIC UNLESS OTHERWISE SPECIFIED

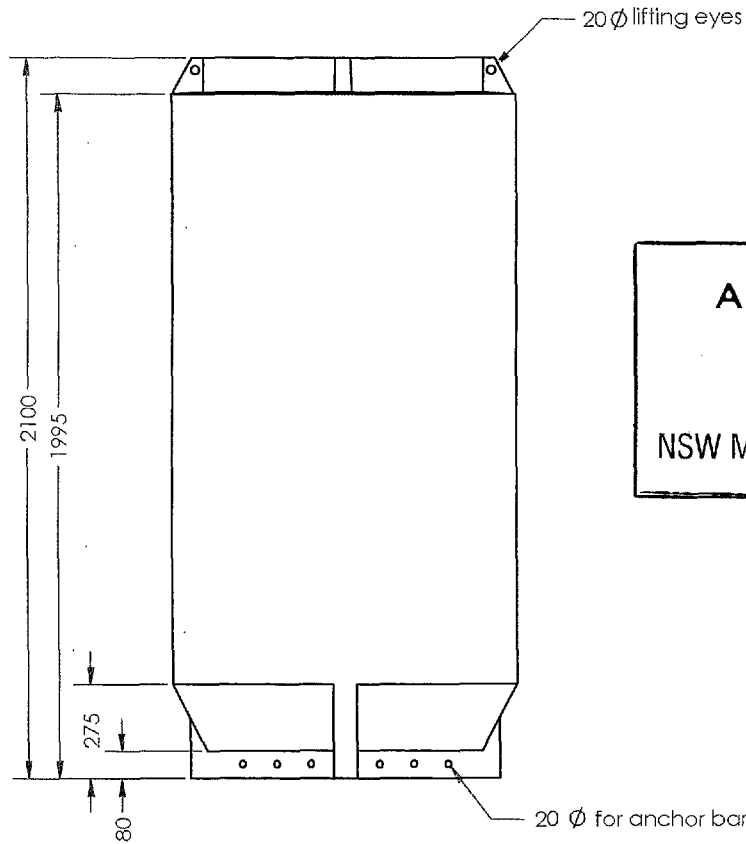
SPE
POLYTECH

DO NOT SCALE DRAWING

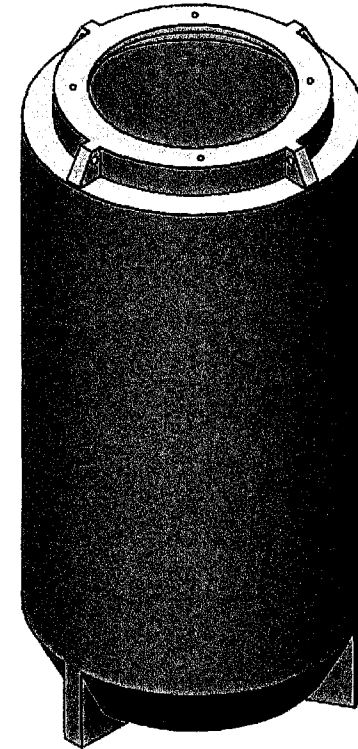


* 600 x 600 opening also available

4 x M8 Inserts
 $\phi 760$ PCD



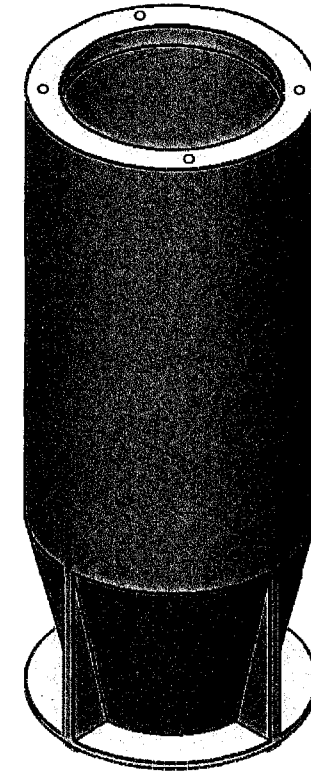
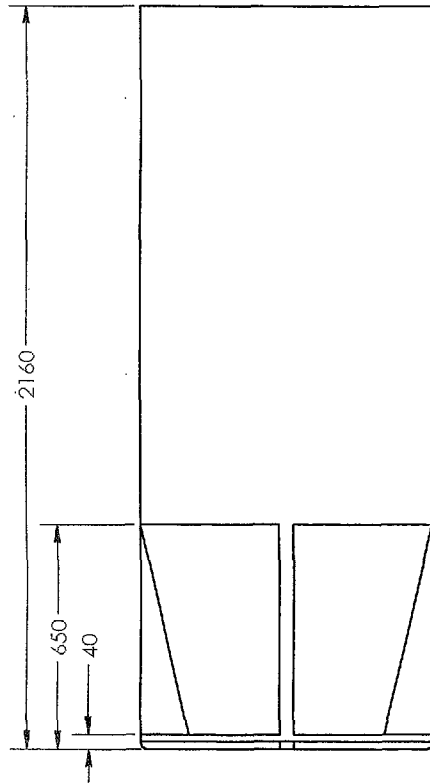
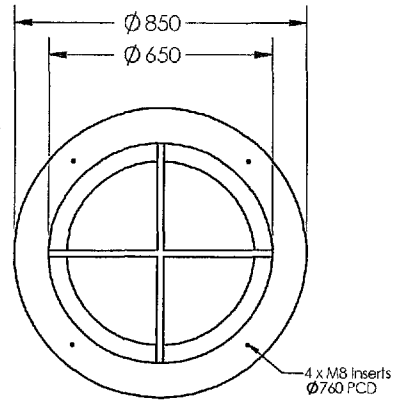
APPROVED
11 SEP 2018
NSW MINISTRY OF HEALTH



SPE #2153 (R or S) -1460L Tank -1000 x 2100 round or square opening

DIMENSIONS ARE IN MM TOLERANCES: ANGULAR: ± 0.5 NO DECIMAL PLACE ± 1.0 ONE DECIMAL PLACE ± 0.5 TWO DECIMAL PLACE ± 0.1	NAME	DATE	File Name:	Model #2153 - 1460L Tank 1000 x 2100 Rectangular or round opening	SPE POLYTECH
	DRAWN	16/08/2016			
	CHECK				
	MATERIAL:	Virgin LLDPE	REV:		
SHEET 1 OF 1	FINISH:	Mat Black			

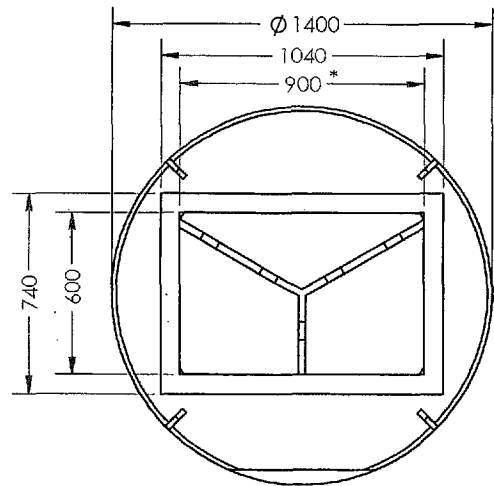
DO NOT SCALE DRAWING



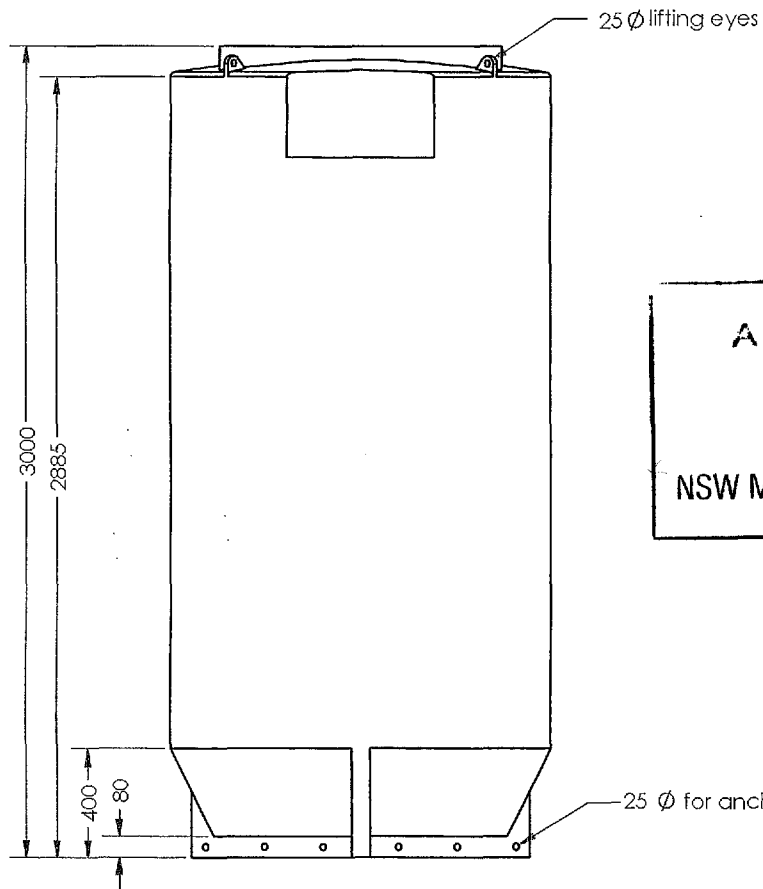
APPROVED
11 SEP 2018
NSW MINISTRY OF HEALTH

SPE #2156 1050L Tank 850 x 2160 Round Hatch			
DIMENSIONS ARE IN MM	NAME	DATE	File Name:
TOLERANCES: ANGULARS: ± 1/2 NO DECIMAL PLACE 1.0 ONE DECIMAL PLACE 0.5 TWO DECIMAL PLACE 0.1	DRAWN: SB	16/08/2018	SPE #2156 1050L Tank 850 x 2160 Round Hatch
	CHECK:		
	MATERIAL: Virgin LLDPE	REV:	PROPRIETARY AND CONFIDENTIAL THE INFORMATION CONTAINED HEREIN IS THE PROPERTY OF SPE REPRODUCTION OR DISSEMINATION WITHOUT THE WRITTEN PERMISSION OF SPE IS STRICTLY PROHIBITED. SPE POLYTECH
SHEET 1 OF 1	FINISH: Matt Black		

DO NOT SCALE DRAWING



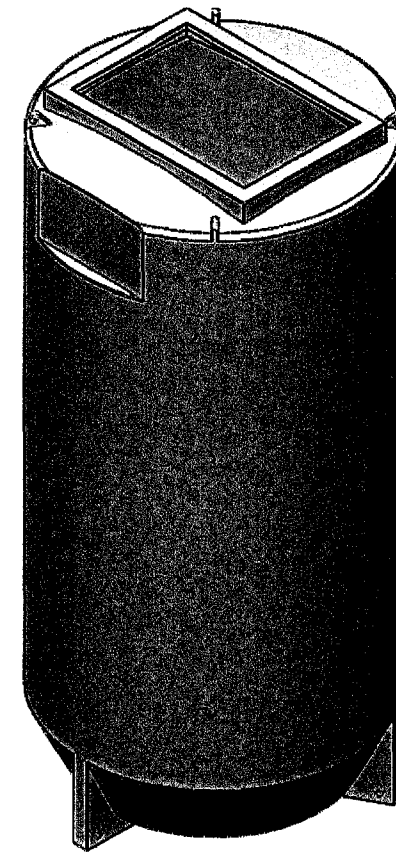
* 600 round opening also available



25 ϕ lifting eyes

25 ϕ for anchor bars

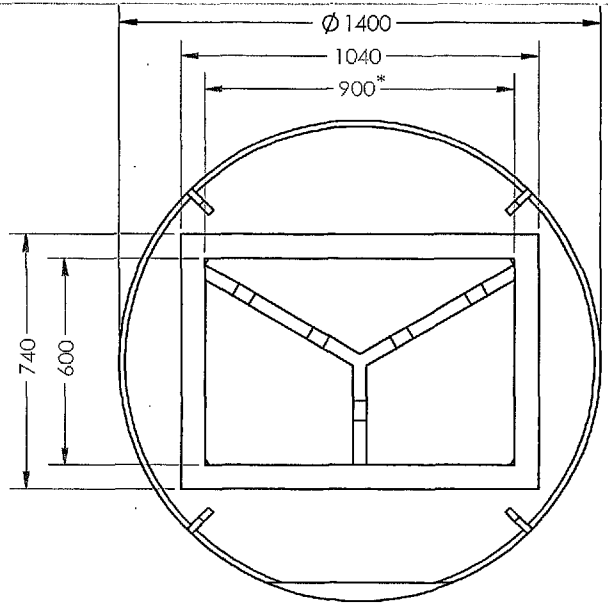
APPROVED
 11 SEP 2018
 NSW MINISTRY OF HEALTH



SPE #2157 (S or R) - 4100L Tank - 1400 x 3000 rectangular or round opening

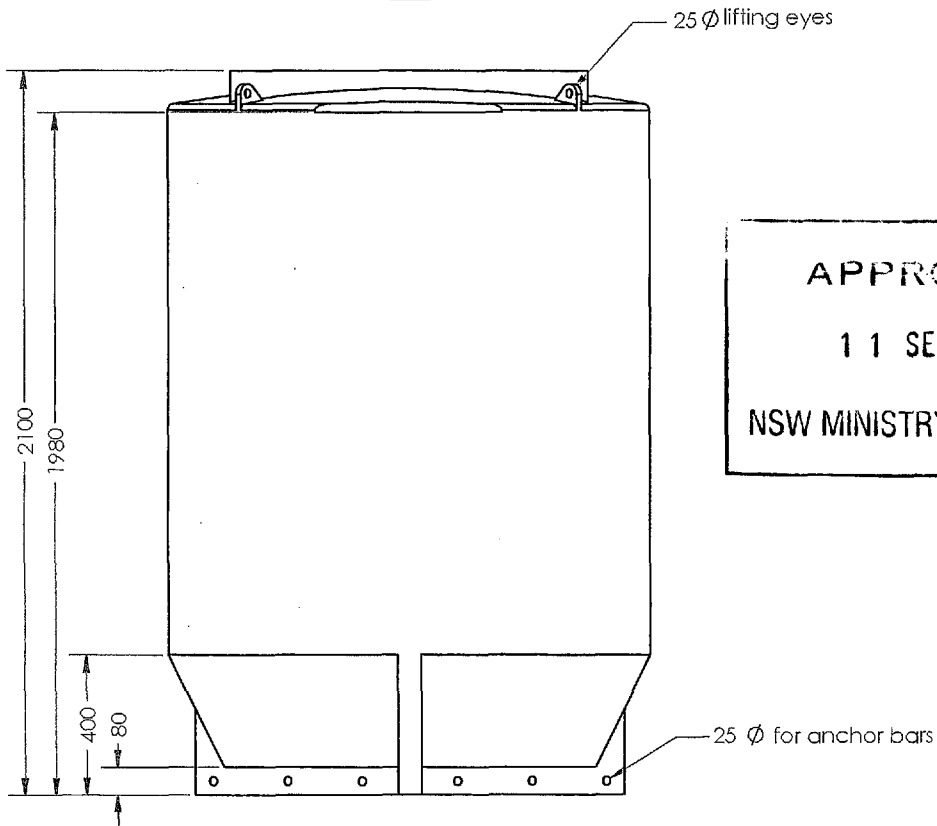
DIMENSIONS ARE IN MM		NAME	DATE	File Name:
TOLERANCES:	ANGULARS ± 0.5	DRAWN	16/08/2018	Model #2157-4100L Tank - 1400 x 3000
NO DECIMAL PLACE ± 0.5	ONE DECIMAL PLACE ± 0.3	CHECK		Rectangular or round opening
TWO DECIMAL PLACE ± 0.1		MATERIAL:	Virgin LLDPE	REV:
		FINISH:	Mat Black	
SHEET 1 OF 1				<small>PROPRIETARY AND CONFIDENTIAL</small> <small>SEE SPE #2157-4100L TANK FOR A LIST OF ALL SPE #2157-4100L TANKS AND THE SPECIFICATIONS FOR THE MATERIALS AND FINISHES.</small>

SPE
POLYTECH

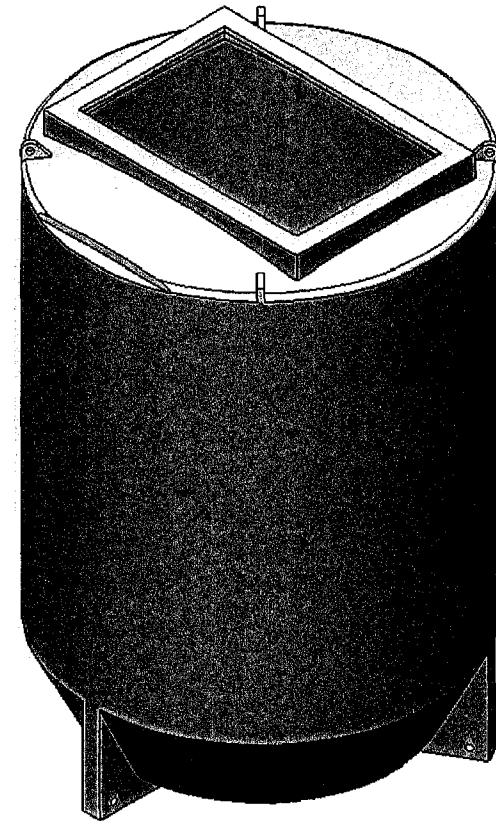


DO NOT SCALE DRAWING

* 600 round opening also available

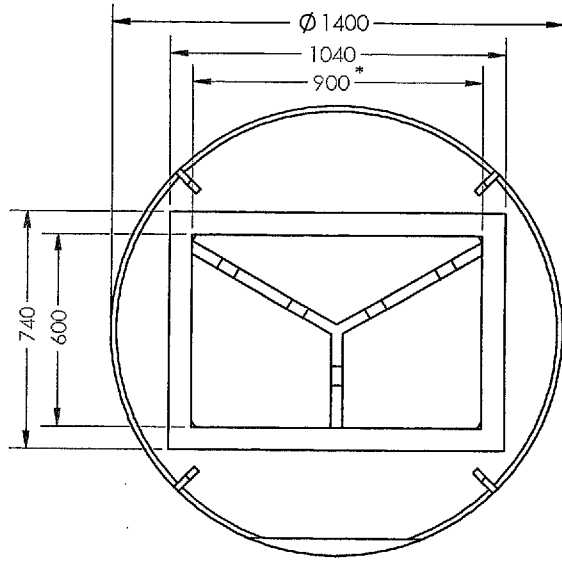


APPROVED
11 SEP 2018
NSW MINISTRY OF HEALTH

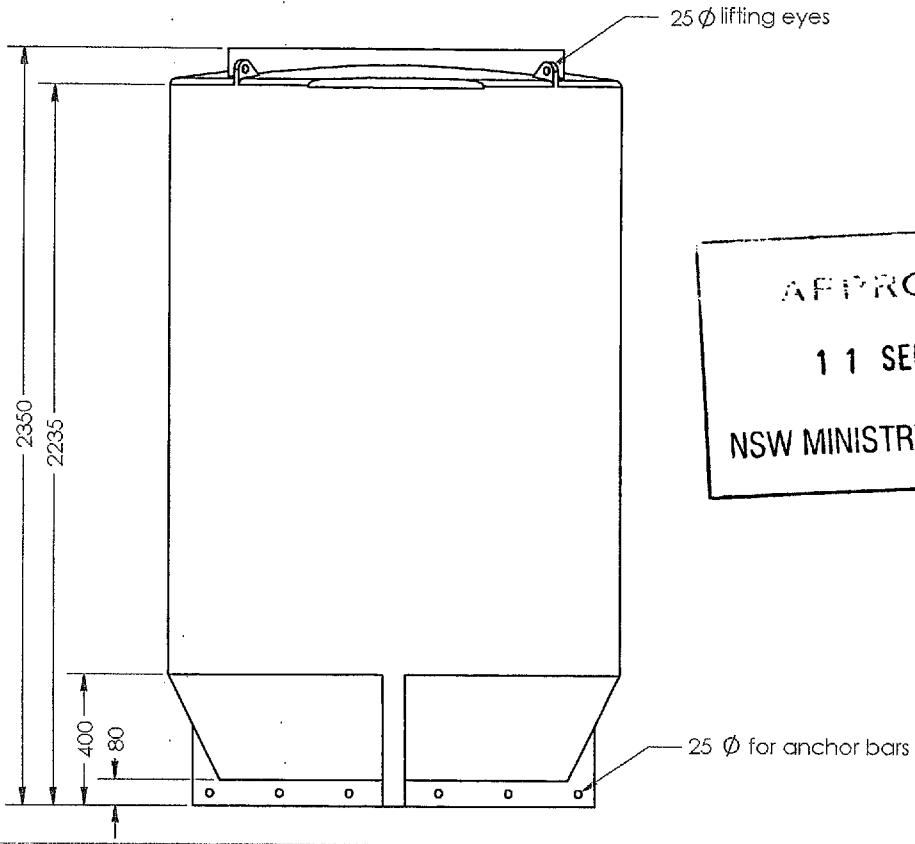


SPE #2158 (S or R) - 2780L Tank -1400 x 2100 rectangular or round opening			
<small>DIMENSIONS ARE IN MM</small> <small>TOLERANCES:</small> <small>ANGLES: ± 0.5</small> <small>NO DECIMAL PLACE ± 1.0</small> <small>ONE DECIMAL PLACE ± 0.6</small> <small>TWO DECIMAL PLACE ± 0.1</small>	<small>NAME</small> SB <small>CHECK</small> <small>MATERIAL:</small> Virgin LLDPE <small>FINISH:</small> Matt Black	<small>DATE</small> 16/08/2018 <small>REV:</small>	<small>File Name:</small> Model #2158-2780L Tank -1400 x 2100 Rectangular or round opening <small>PROPRIETARY AND CONFIDENTIAL</small> <small>FOR INTERNAL USE ONLY - NOT TO BE REPRODUCED OR DISTRIBUTED WITHOUT THE WRITTEN PERMISSION OF SPE POLYTECH</small>
<small>SHEET 1 OF 1</small>			SPE POLYTECH

DO NOT SCALE DRAWING



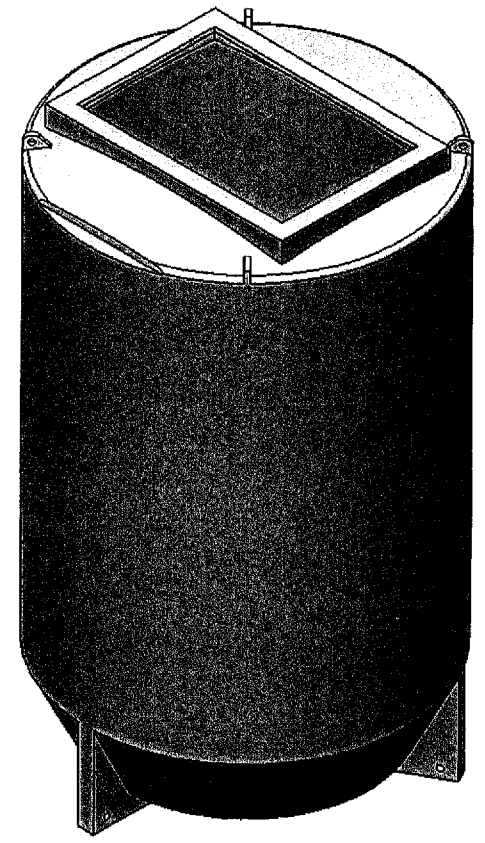
* 600 round opening also available



25 ϕ lifting eyes

APPROVED
11 SEP 2018
NSW MINISTRY OF HEALTH

25 ϕ for anchor bars

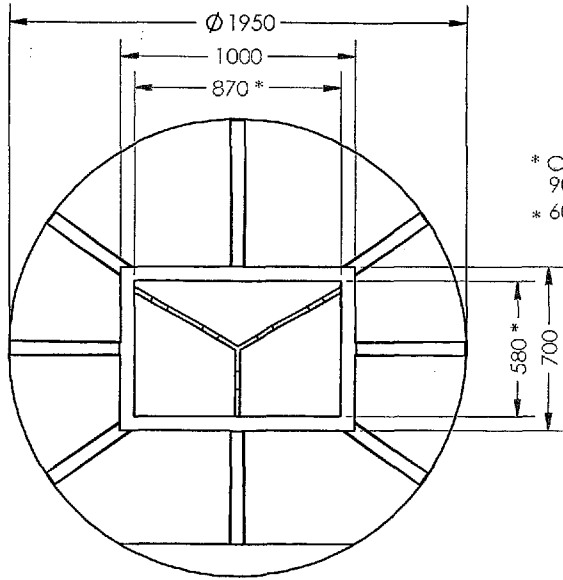


SPE #2159 (S or R) - 3150L Tank -1400 x 2350 rectangular or round opening

DIMENSIONS ARE IN MM		NAME	DATE	File Name:
TOLERANCES:		DRAWN	16/08/2018	Model #2159-2350L Tank -1400 x 2350
ANGULAR: ± 0.5		CHECK		Rectangular or round opening
NO DECIMAL PLACE ± 1.0				
ONE DECIMAL PLACE ± 0.2		MATERIAL:	Virgin LDPE	REV:
TWO DECIMAL PLACE ± 0.1		FINISH:	Mat Black	
SHEET 1 OF 1				<small>PROPRIETARY AND CONFIDENTIAL THE INFORMATION CONTAINED HEREIN IS THE PROPERTY OF SPE AND IS TO BE USED ONLY FOR THE PURPOSES SPECIFIED THEREIN. ALL RIGHTS RESERVED. ANY REPRODUCTION WITHOUT PERMISSION IS PROHIBITED.</small>

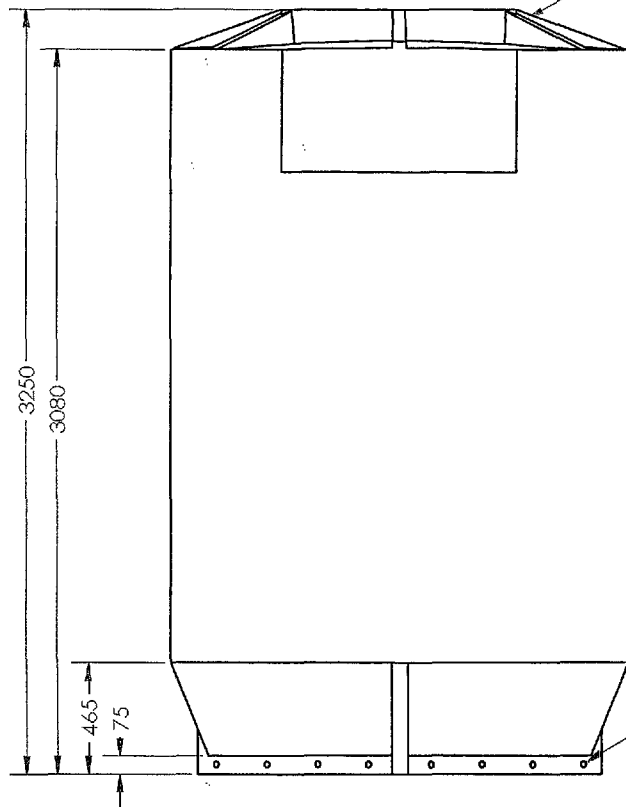
SPE
POLYTECH

DO NOT SCALE DRAWING



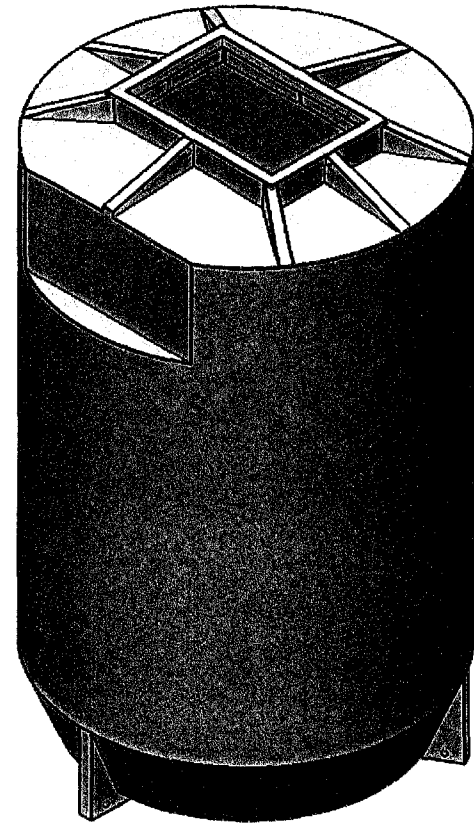
* Can be trimmed to 900 x 600 if required
 * 600 round opening also available

25 ϕ lifting eyes



APPROVED
11 SEP 2018
NSW MINISTRY OF HEALTH

25 ϕ for anchor bars



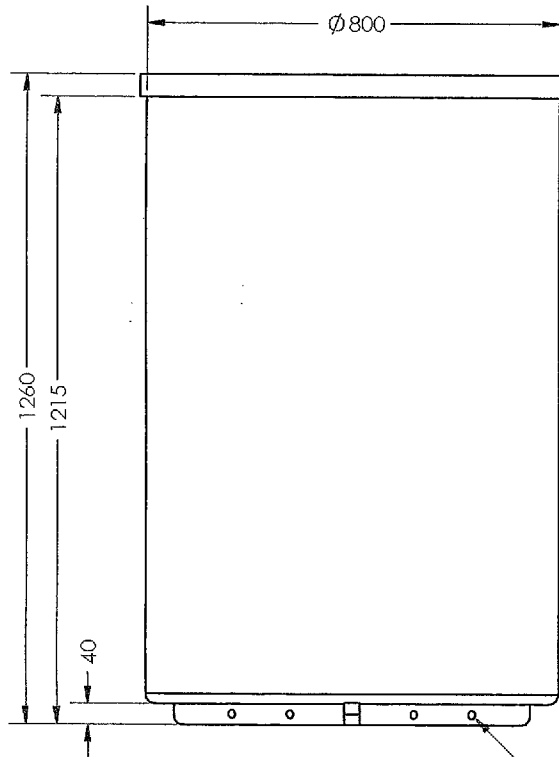
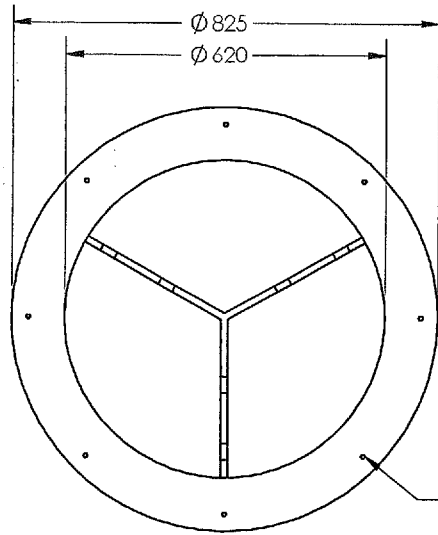
SPE #2160 (S or R) - 8500L Tank-1950 x 3250 Rectangular or round opening

DIMENSIONS ARE IN MM		NAME	DATE	File Name:
TOLERANCES:	DRAWN	SB	16/08/2018	Model #2160S - 8500L Tank 1950 x 3250
ANGULAR: ± 0.5	CHECK			Rectangular or round opening
NO DECIMAL PLACE 1.0				
ONE DECIMAL PLACE 2.0	MATERIAL:	Virgin LLDPE	REV:	
TWO DECIMAL PLACE 2.0	FINISH:	Matl Black		
SHEET 1 OF 1				

PROPRIETARY AND CONFIDENTIAL
 All information contained herein remains the property of SPE POLYTECH and is not to be disclosed or used for any purpose other than that for which it was provided.

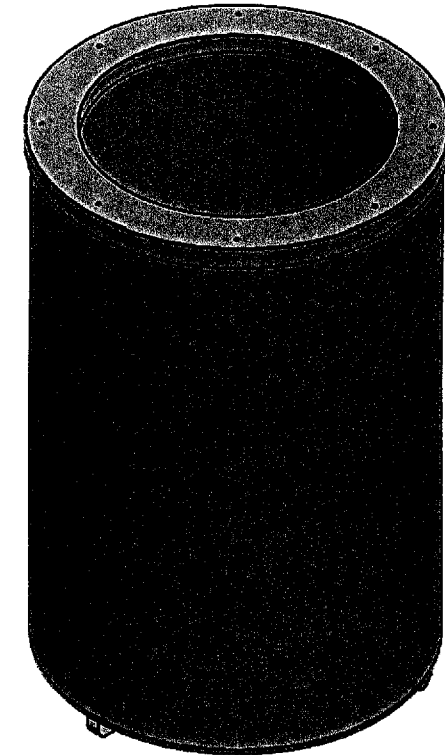
SPE
 POLYTECH

DO NOT SCALE DRAWING



15 Ø for anchor bars

APPROVED
11 SEP 2018
NSW MINISTRY OF HEALTH



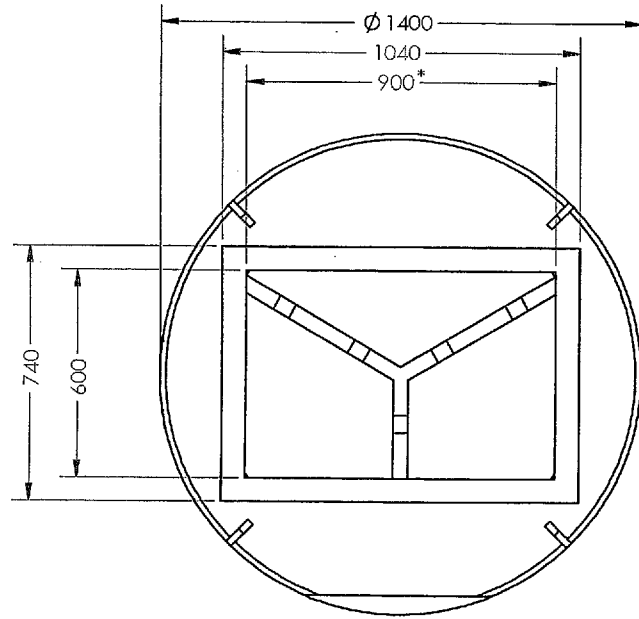
SPE #2162 590L Tank 800 x 1260 Round Hatch

DIMENSIONS ARE IN MM		NAME	DATE	File Name:
TOLERANCES:	DRAWN	SB	17/08/2018	SPE #2162 590L Tank 800 x 1260 Round Hatch
ANGULARS ± 0.5	CHECK			
NO DECIMAL PLACE ± 1.0				
ONE DECIMAL PLACE ± 0.5	MATERIAL:	Virgin LDPE	REV:	
TWO DECIMAL PLACE ± 0.1	FINISH:	Mat Black		
SHEET 1 OF 1				

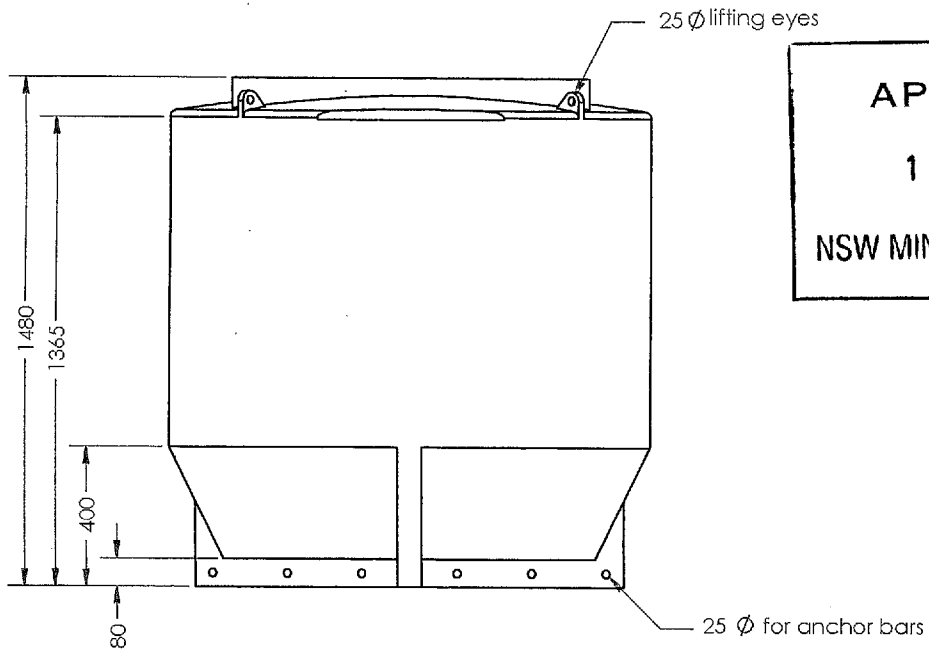
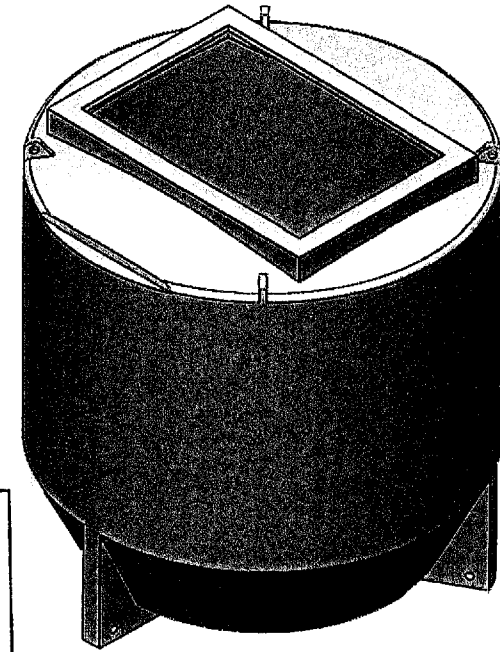
PROPRIETARY AND CONFIDENTIAL
THIS DOCUMENT IS CONTROLLED BY SPE. IT IS NOT TO BE
DISCLOSED OR DISTRIBUTED OUTSIDE THE SPE GROUP OF
ORGANISATIONS WITHOUT THE WRITTEN PERMISSION OF
SPE.

SPE
POLYTECH

DO NOT SCALE DRAWING



* 600 round opening also available

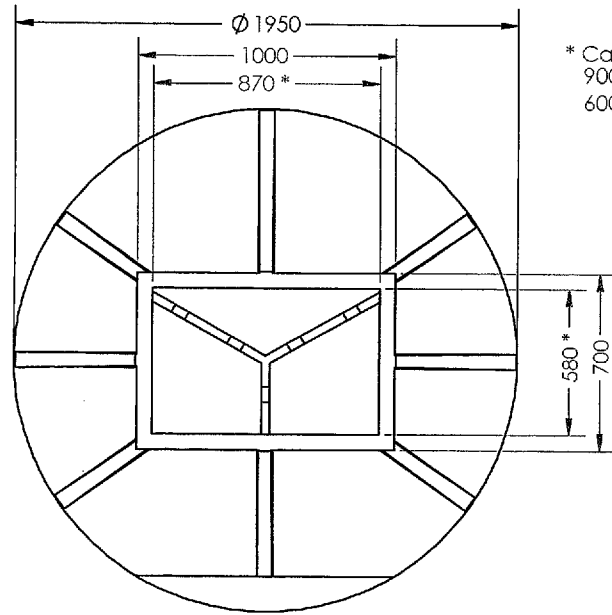


APPROVED
1 1 SEP 2018
NSW MINISTRY OF HEALTH

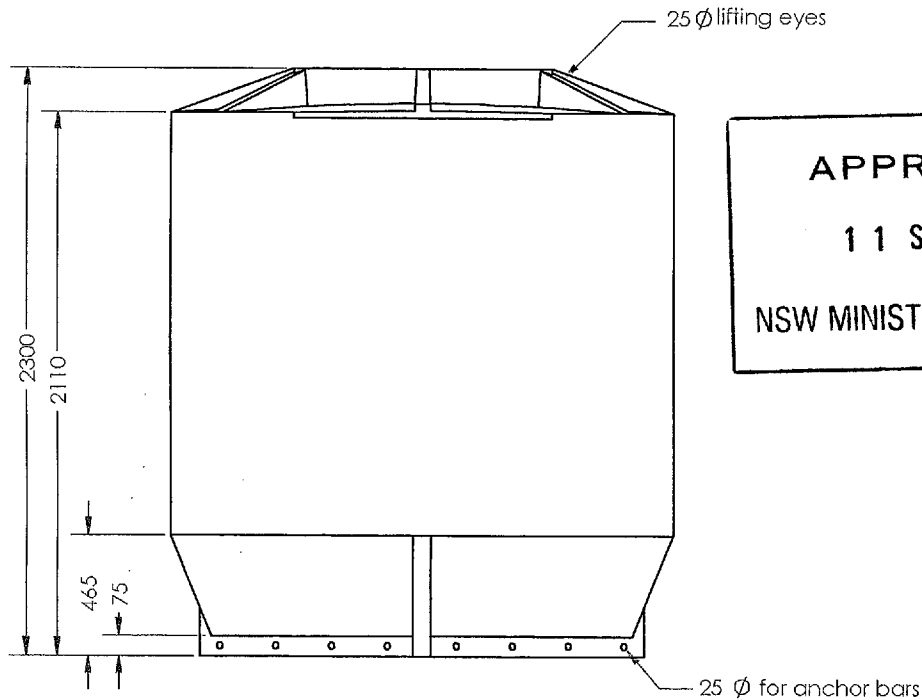
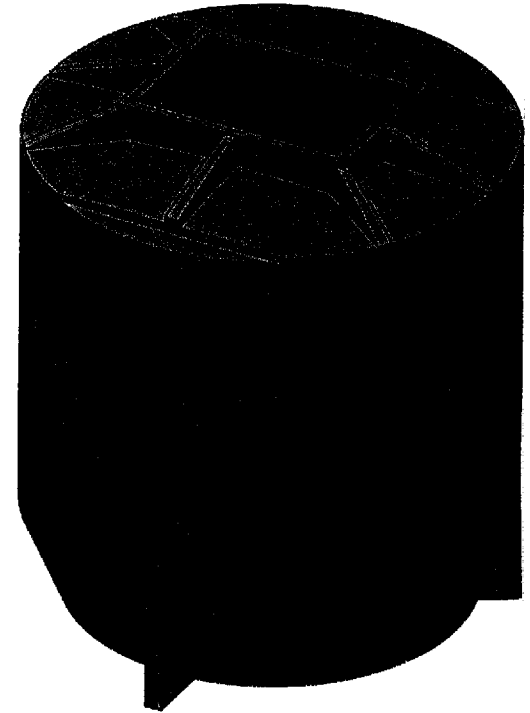
SPE #2163 (S or R) -1880L Tank -1400 x 1480 rectangular or round opening			
<small>DIMENSIONS ARE IN MM</small>	<small>NAME</small>	<small>DATE</small>	<small>File Name:</small>
<small>TOLERANCES:</small>	<small>DRAWN</small> SB	16/08/2018	Model #2163-1880L Tank -1400 x1480
<small>ANGULAR: ±0.5</small>	<small>CHECK</small>		Rectangular or round opening
<small>NO DECIMAL PLACE ±1.0</small>	<small>MATERIAL:</small> Virgin LDPE	<small>REV:</small>	
<small>ONE DECIMAL PLACE ±0.5</small>	<small>FINISH:</small> Matt Black		
<small>TWO DECIMAL PLACE ±0.1</small>			<small>PROPRIETARY AND CONFIDENTIAL</small>
SHEET 1 OF 1			<small>FOR INFORMATION ONLY. THIS IS NOT A CONTRACT DOCUMENT. THE USER SHALL BE RESPONSIBLE FOR VERIFYING THE ACCURACY OF THE INFORMATION PROVIDED.</small>

SPE
POLYTECH

DO NOT SCALE DRAWING



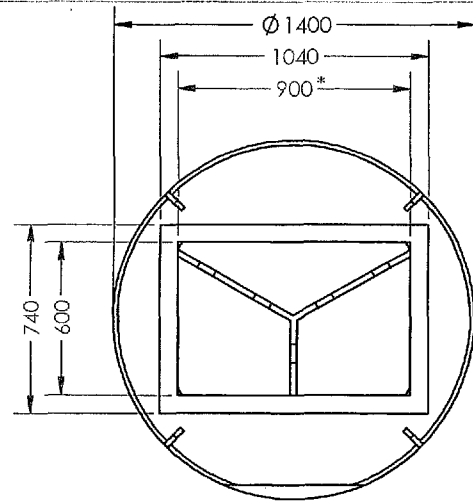
* Can be trimmed to 900 x 600 if required
600 round opening also available



APPROVED
11 SEP 2018
NSW MINISTRY OF HEALTH

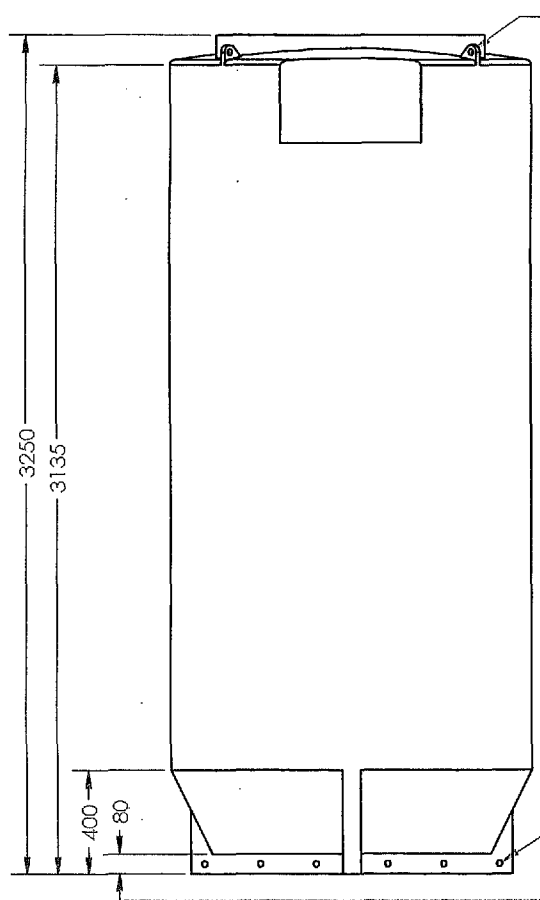
SPE #2164 (S or R) - 6100L Tank-1950 x 2300 Rectangular or round opening

DIMENSIONS ARE IN MM		NAME	DATE	File Name:
TOLERANCES:		DRAWN	16/08/2018	Model #2164 - 6100L Tank 1950 x 2250
ANGULARS: ± 0.5		CHECK		Rectangular or round opening
NO DECIMAL PLACE ± 1.0		MATERIAL:	Virgin ILLPE	REV:
ONE DECIMAL PLACE ± 0.5		FINISH:	Mat Black	PROPRIETARY AND CONFIDENTIAL
TWO DECIMAL PLACE ± 0.1				THE INFORMATION CONTAINED IN THIS DRAWING IS THE SOLE PROPERTY OF SPE POLYTECH. ANY REPRODUCTION OR TRANSMISSION OF THIS INFORMATION WITHOUT THE WRITTEN PERMISSION OF SPE POLYTECH IS PROHIBITED.
SHEET 1 OF 1				SPE POLYTECH



DO NOT SCALE DRAWING

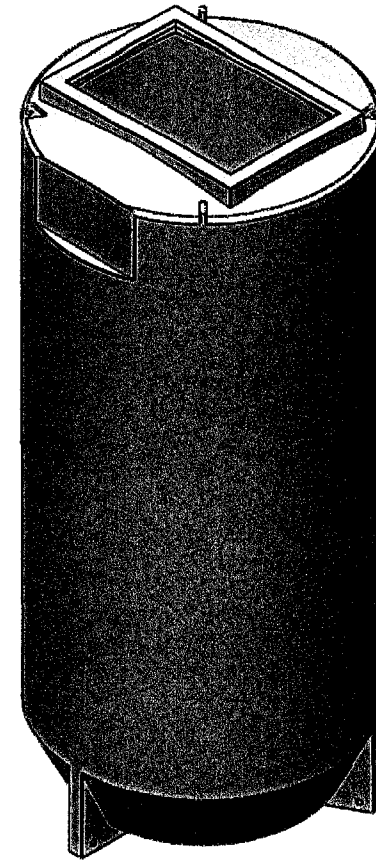
* 600 round opening also available



25 ϕ lifting eyes

25 ϕ for anchor bars

APPROVED
1 1 SEP 2018
NSW MINISTRY OF HEALTH



SPE #2166 (S or R) - 4500L Tank -1400 x 3250 rectangular or round opening

DIMENSIONS ARE IN MM		NAME	DATE	File Name:
TOLERANCES:	DRAWN	SB	16/06/2018	Model #2166-4500L Tank-1400 x 3250
ANGULAR: ± 0.5	CHECK			Rectangular or round opening
NO DECIMAL PLACE ± 1.0	MATERIAL:	Virgin LLDPE	REV:	
ONE DECIMAL PLACE ± 0.5	FINISH:	Mat Black		
TWO DECIMAL PLACE ± 0.1				
SHEET 1 OF 1				PROPRIETARY AND CONFIDENTIAL SPE POLYTECH