



Certificate of Accreditation

Sewage Management Facility

Septic Tanks & Collection Wells

This Certificate of Accreditation is issued by the Secretary of the NSW Ministry of Health pursuant to Clause 41(1) of the Local Government (General) Regulation 2005.

System: *GRAF Carat Septic Tanks and Collection Wells
(Maxi / Mini / Micro dome options)*

Manufacturer: *GRAF Australia Pty Ltd*

Of: *23 Success Way, Henderson, WA, 6166.*

The Carat Septic Tanks and Collection Wells as described in the following Schedule have been accredited as sewage management facilities for use in single domestic premises in NSW.

*A/Director, Environmental Health
for Secretary (delegation PH335)*

Issued: *11 December 2020*

Certificate No: *STCW011*

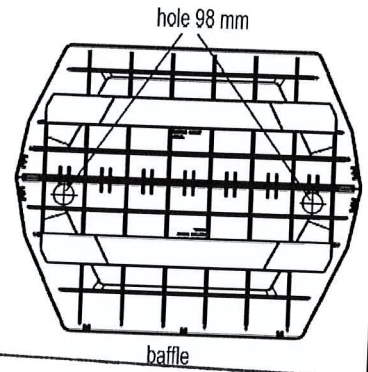
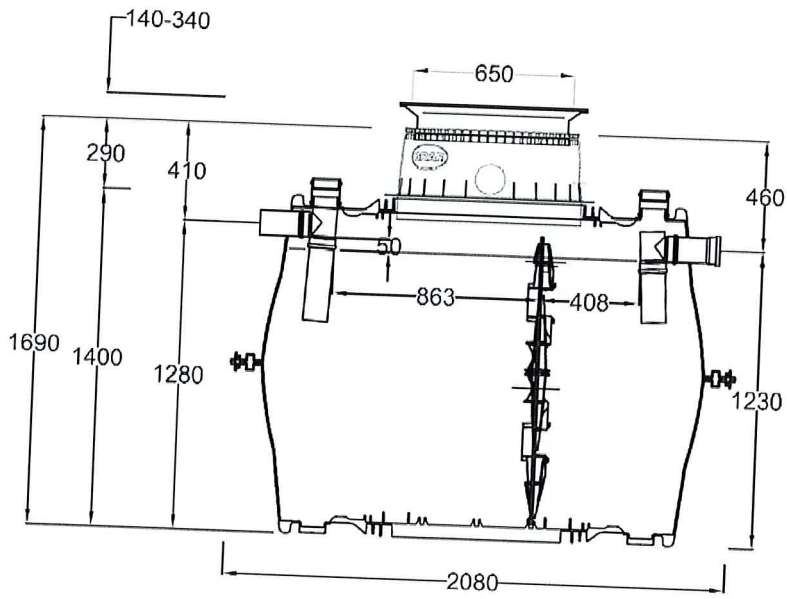
Expires: *31 December 2024*



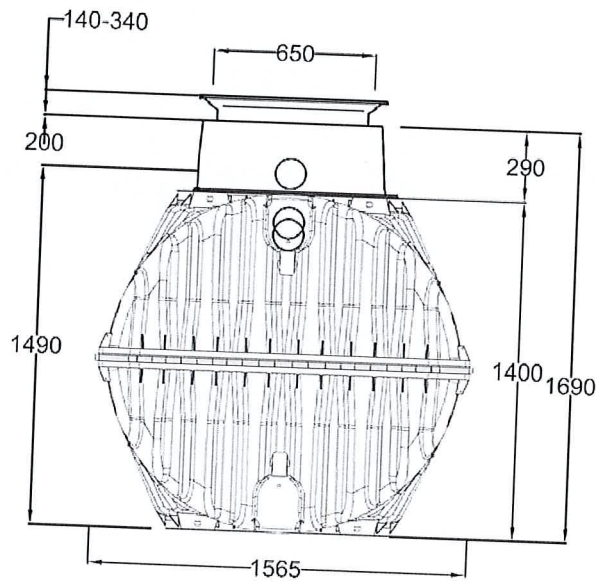
Accreditation Schedule

The Certificate of Accreditation applies to the following Carat range of septic tanks and collection wells.

Model	Description	Size
Carat Septic Tanks and Collection Wells	<p>Horizontal axis cylindrical injection moulded polypropylene tanks. The tank is fitted with interchangeable dome shafts (macro, mini and micro) and access covers. Septic tanks are fitted with baffle partitions</p> <p>The tank is imported in sections and assembled in the factory to the manufacturer's specifications.</p> <p>The access cover is finished at ground level.</p> <p>Maxi dome shown on ST Mini dome shown on CW</p>	2,700 L 3,750 L 4,800 L 6,500 L




ACCREDITED
 11 DEC 2020
 NSW MINISTRY OF HEALTH

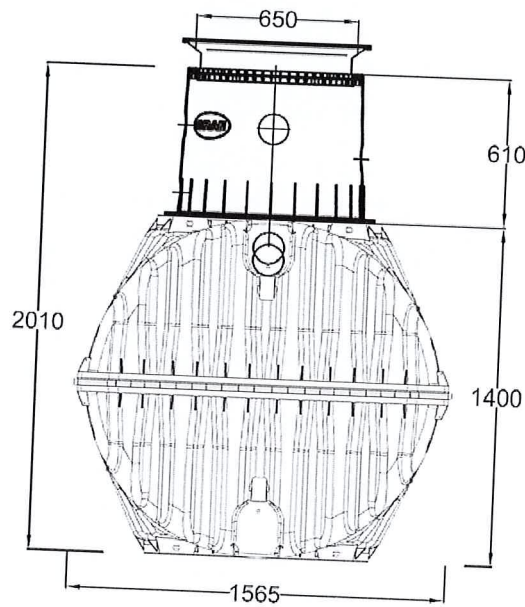
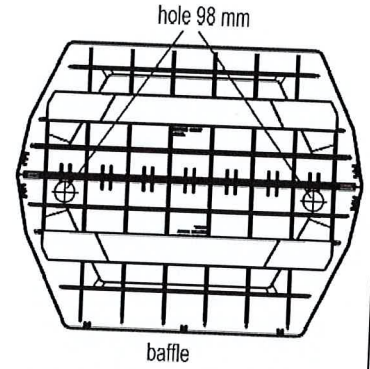
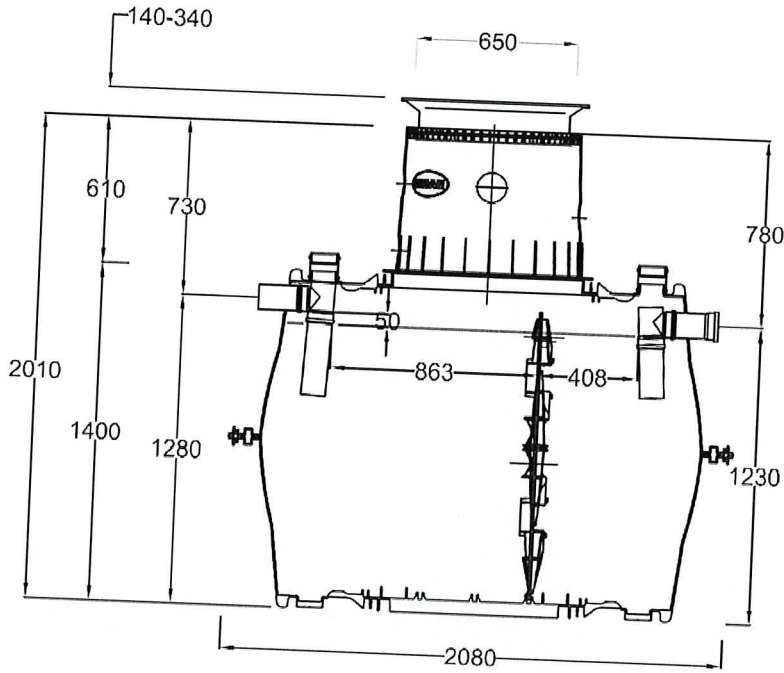


EN

CARAT 2700L septic tank
 with baffle, pos. 2/3

Artikel-Nr.
 product no.
 article no.
 articulo no.

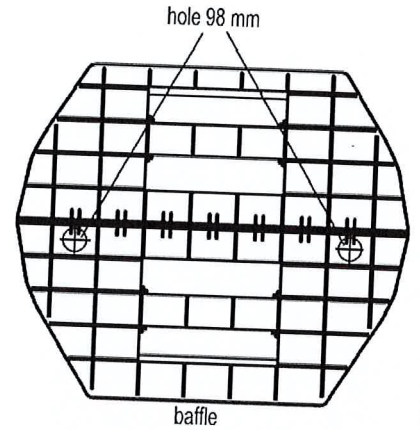
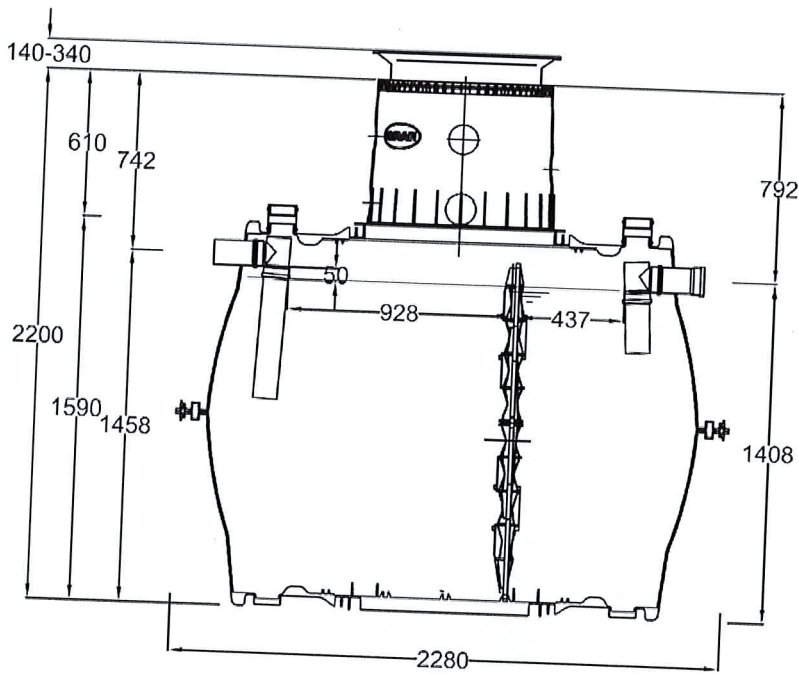
gezeichnet drawn	CSC	Gewicht weight		Graf Australia Pty Ltd. 23 Success Way Henderson WA 6166 Phone: +61 8 9437 4949 Email: info@grafplasticsaustralia.com.au Web: www.grafplasticsaustralia.com.au	
Datum date	2017.05.23	Toleranz tolerance	+/- 3%		
Maßstab scale	M 1:30	Einheiten units	mm [inch] gal. = US gal.		



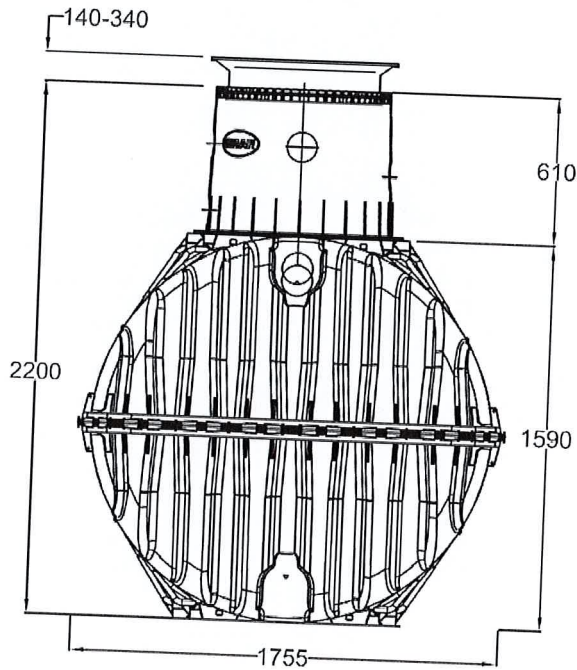
ACCREDITED
 11 DEC 2020
 NSW MINISTRY OF HEALTH

EN		CARAT 2700L septic tank with baffle, pos. 2/3		Artikel-Nr. product no. article no. articulo no.
gezeichnet drawn	CSC	Gewicht weight		Graf Australia Pty Ltd. 23 Success Way Henderson WA 6166 Phone: +61 8 9437 4949 Email: info@grafplasticsaustralia.com.au Web: www.grafplasticsaustralia.com.au
Datum date	2017.05.23	Toleranz tolerance	+/- 3%	
Maßstab scale	M 1:30	Einheiten units	mm [inch] gal. = US gal.	



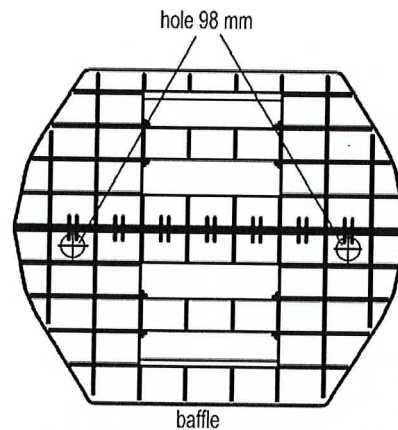
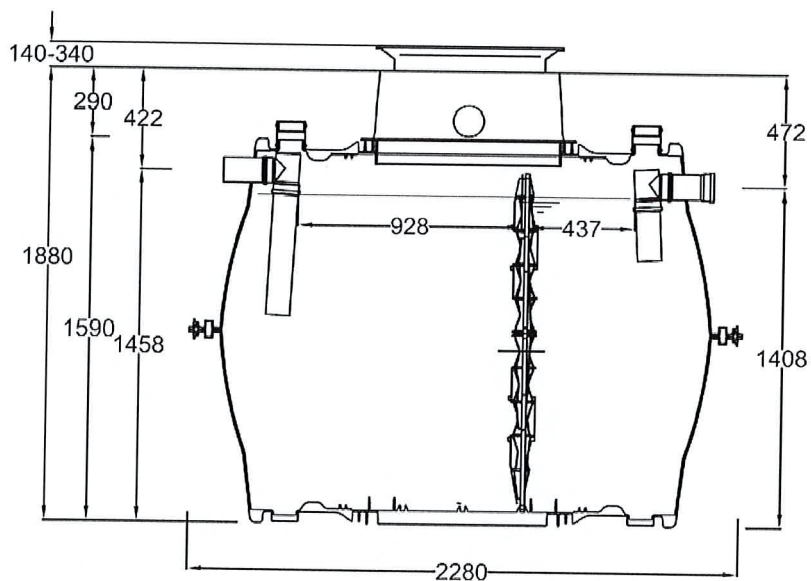


ACCREDITED
 11 DEC 2020
 NSW MINISTRY OF HEALTH

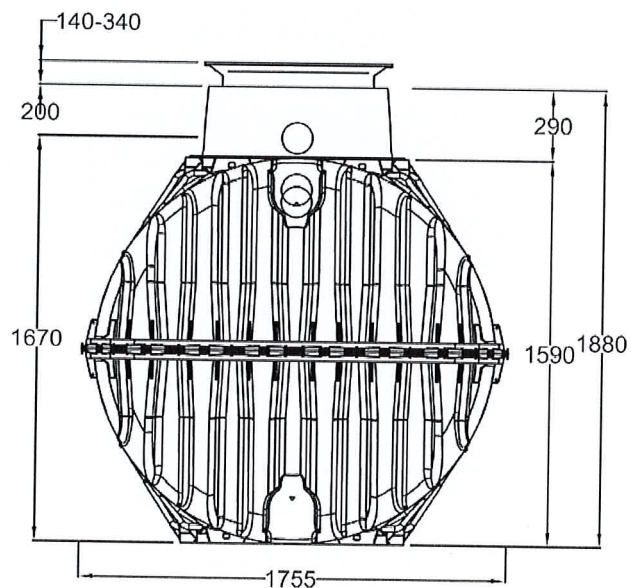



EN		Carat 3750L septic tank with baffle, pos. 2/3		Artikel-Nr. product no. article no. articulo no.	
gezeichnet drawn	CSC	Gewicht weight		Graf Australia Pty Ltd. 23 Success Way Henderson WA 6166 Phone: +61 8 9437 4949 Email: info@grafplasticsaustralia.com.au Web: www.grafplasticsaustralia.com.au	
Datum date	2017.05.23	Toleranz tolerance	+/- 3%		
Maßstab scale	M 1:40	Einheiten units	mm [inch] gal. = US gal.		

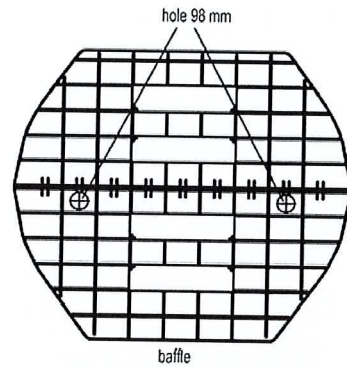
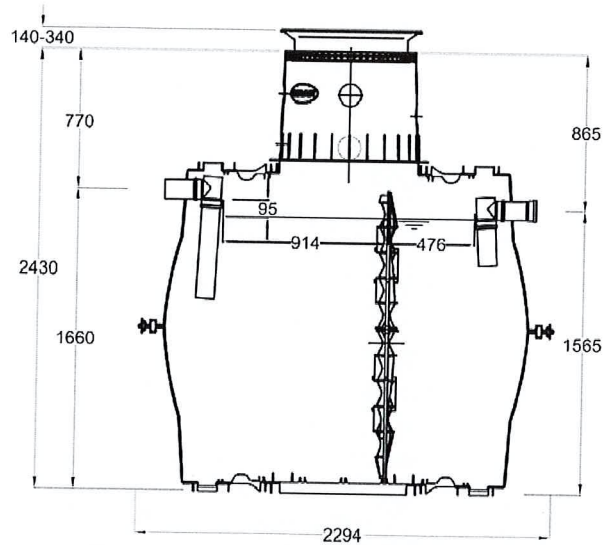




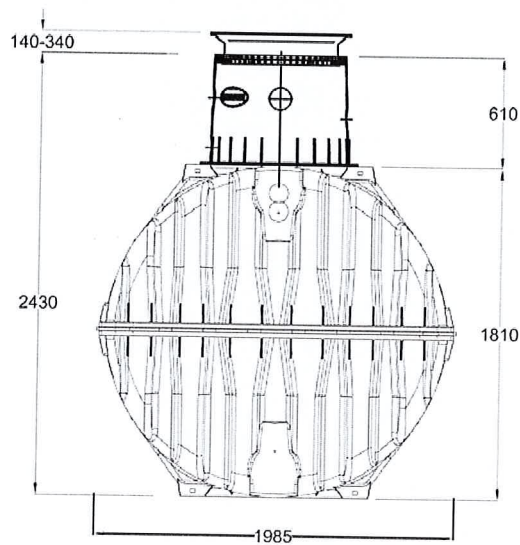
ACCREDITED
11 DEC 2020
NSW MINISTRY OF HEALTH



EN		Carat 3750L septic tank with baffle, pos. 2/3		Artikel-Nr. product no. article no. articulo no.
gezeichnet drawn	CSC	Gewicht weight		
Datum date	2017.05.23	Toleranz tolerance	+/- 3%	
Maßstab scale	M 1:40	Einheiten units	mm [inch] gal. = US gal.	
		Graf Australia Pty Ltd. 23 Success Way Henderson WA 6166 Phone: +61 8 9437 4949 Email: info@grafplasticsaustralia.com.au Web: www.grafplasticsaustralia.com.au		

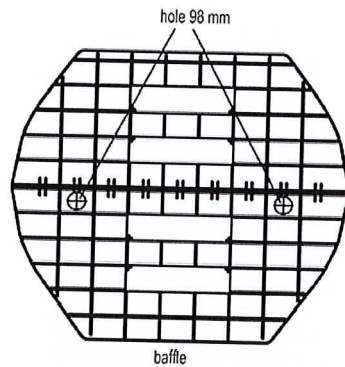
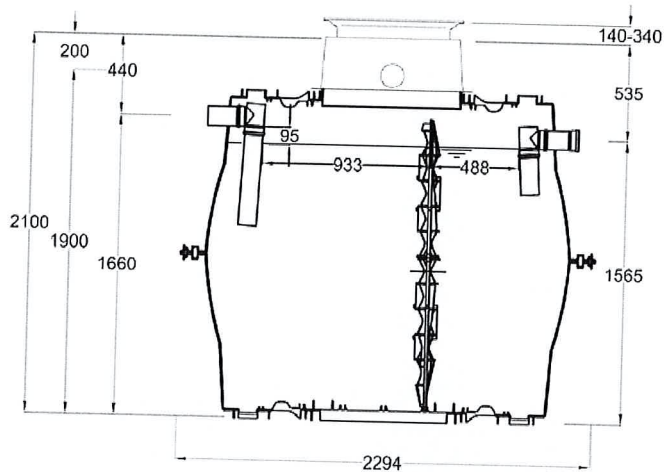


ACCREDITED
11 DEC 2020
NSW MINISTRY OF HEALTH

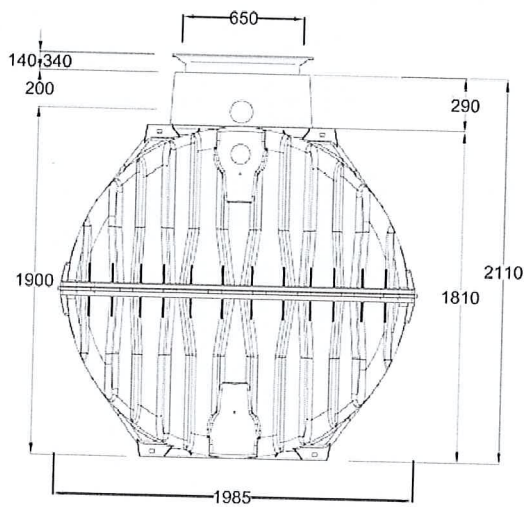


EN		Carat 4800L septic tank with baffle, pos. 2/3		Artikel-Nr. product no. article no. articulo no.
gezeichnet drawn	CSC	Gewicht weight		Graf Australia Pty Ltd. 23 Success Way Henderson WA 6166 Phone: +61 8 9437 4949 Email: info@grafaustalia.com.au Web: www.grafaustalia.com.au
Datum date	2017.06.02	Toleranz tolerance	+/- 3%	
Maßstab scale	M 1:40	Einheiten units	mm [inch] gal. = US gal.	



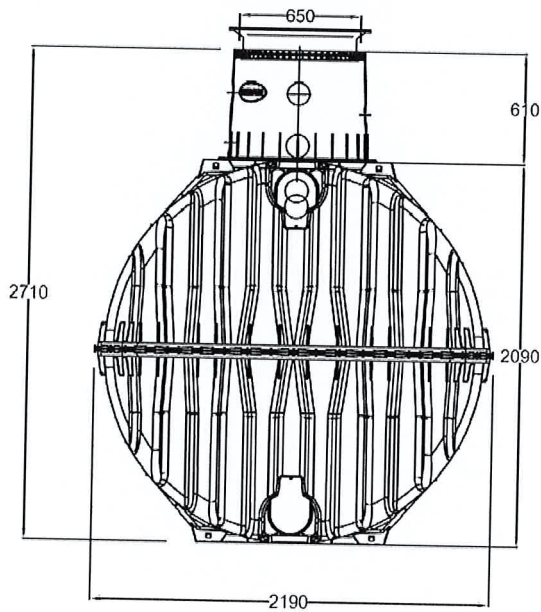
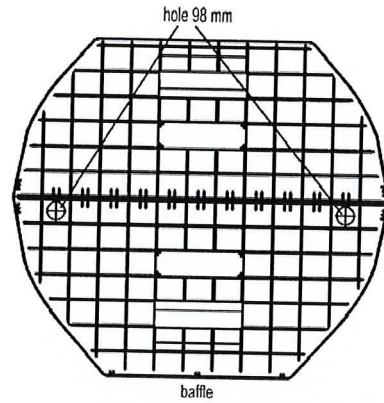
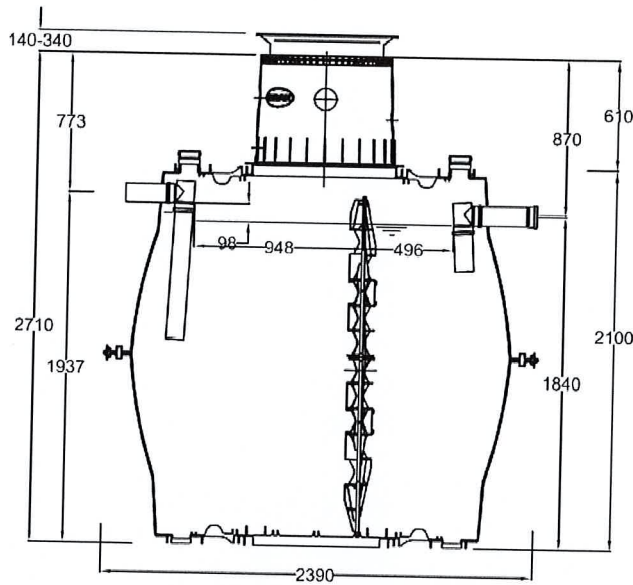


ACCREDITED
 11 DEC 2020
 NSW MINISTRY OF HEALTH



EN		Carat 4800L septic tank with baffle, pos. 2/3		Artikel-Nr. product no. article no. articulo no.
gezeichnet drawn	CSC	Gewicht weight		Graf Australia Pty Ltd. 23 Success Way Henderson WA 6166 Phone: +61 8 9437 4949 Email: info@grafaustalia.com.au Web: www.grafaustalia.com.au
Datum date	2017.06.02	Toleranz tolerance	+/- 3%	
Maßstab scale	M 1:40	Einheiten units	mm [inch] gal. = US gal.	

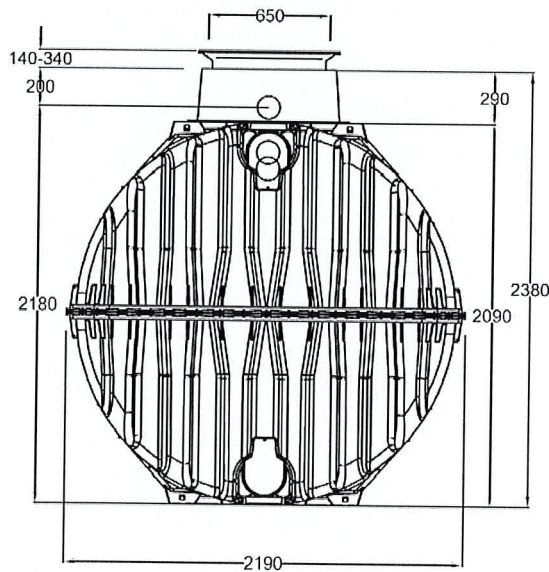
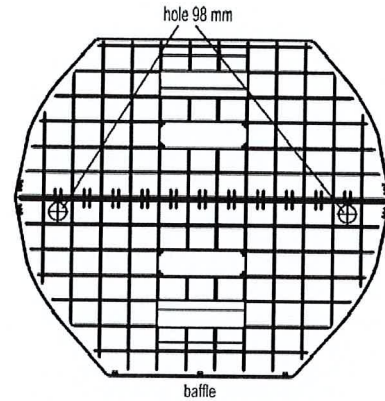
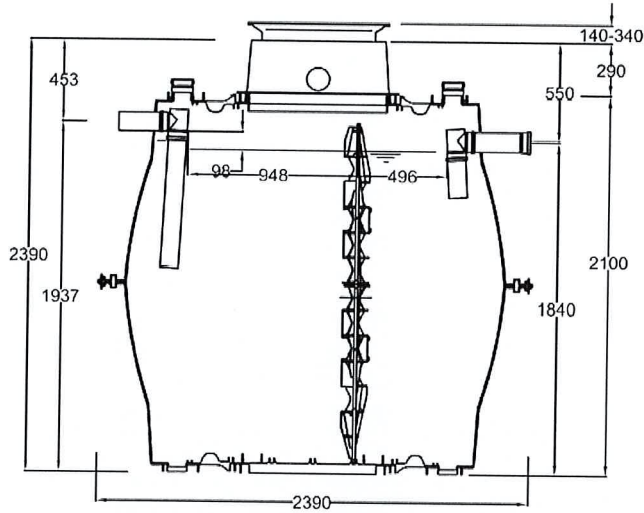




ACCREDITED
11 DEC 2020
NSW MINISTRY OF HEALTH

EN		CARAT 6500 L septic tank with baffle, pos 2/3		Artikel-Nr. product no. article no. articulo no.
gezeichnet drawn	CSC	Gewicht weight		Graf Australia Pty Ltd. 23 Success Way Henderson WA 6166 Phone: +61 8 9437 4949 Email: info@grafaustalia.com.au Web: www.grafaustalia.com.au
Datum date	2017.06.02	Toleranz tolerance	+/- 3%	
Maßstab scale	M 1:40	Einheiten units	mm [inch] gal. = US gal.	





ACCREDITED
11 DEC 2020
NSW MINISTRY OF HEALTH



EN		CARAT 6500 L septic tank with baffle, pos 2/3		Artikel-Nr. product no. article no. articulo no.
gezeichnet drawn	CSC	Gewicht weight		Graf Australia Pty Ltd. 23 Success Way Henderson WA 6166 Phone: +61 8 9437 4949 Email: info@grafaustalia.com.au Web: www.grafaustalia.com.au
Datum date	2017.06.02	Toleranz tolerance	+/- 3%	
Maßstab scale	M 1:40	Einheiten units	mm [inch] gal. = US gal.	

