



Certificate of Accreditation

Sewage Management Facility

Septic Tanks, Collection Wells & Pump Wells

This Certificate of Accreditation is issued by the Secretary of the NSW Ministry of Health pursuant to Section 41(1) of the Local Government (General) Regulation 2021.

Manufacturer: Polymaster Pty Ltd

Of: 161 Karinie St, Swan Hill, VIC, 3585

The vessels as described in the following Schedule have been accredited as sewage management facilities for use in single domestic premises in NSW.

Director, Environmental Health
for Secretary (delegation PH335)

Issued: 11 / 07 / 2024

Certificate No: STCW020

Expires: 31 December 2026



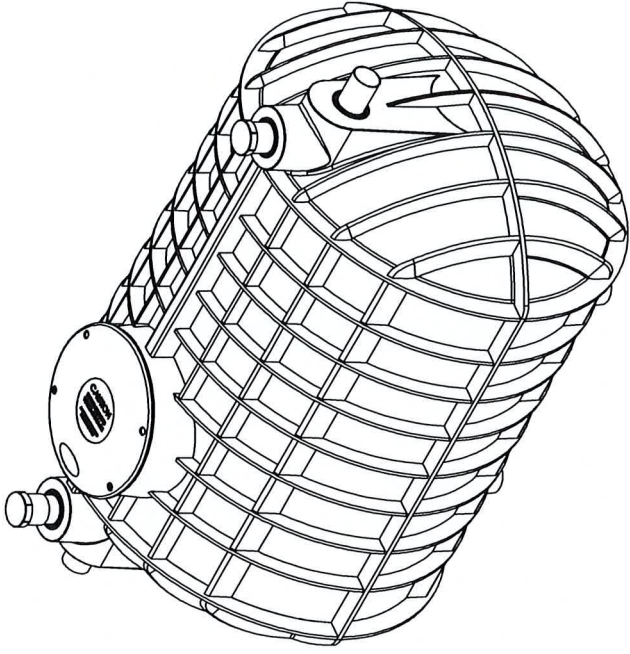
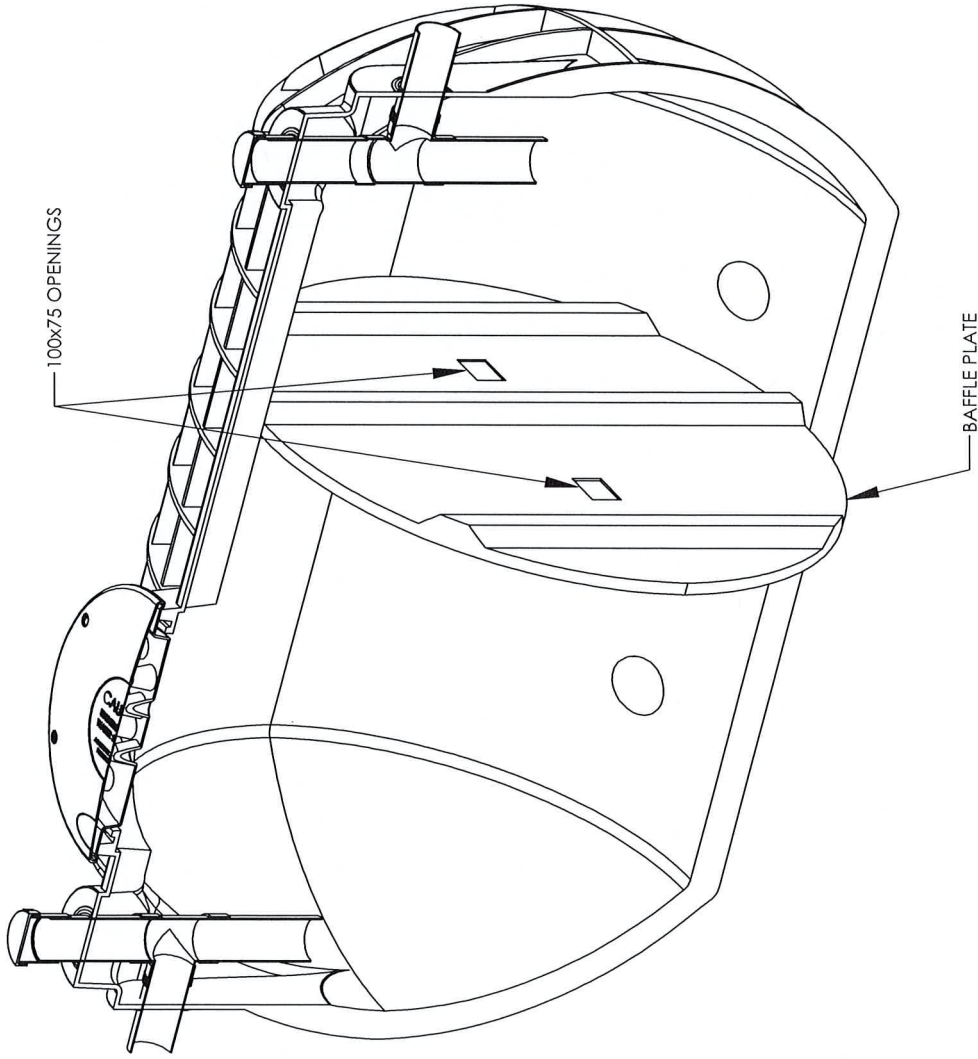
Accreditation Schedule

*The Certificate of Accreditation applies to the following
Septic Tanks, Collection Wells and Pump Wells*

Model	Description	Size
Septic Tanks	Horizontal axis type, cylindrical rotomoulded polyethylene vessels with partition wall. Certification applies only to the construction of the tank, lid, access cover and inlet fitting. It includes the internal fittings or partitions. A certified riser is available.	3100 L 4550 L
Collection Wells	Horizontal axis type, cylindrical rotomoulded polyethylene vessels. Certification applies only to the construction of the tank, lid, access cover and inlet fitting. It does not include the internal fittings or partitions. A certified riser is available.	3300 L 5000 L
Pump Wells	Verticle axis type, cylindrical rotomoulded polyethylene vessels. Certification applies only to the construction of the tank, lid, access cover. It does not include the internal fittings or partitions.	700 L 1000 L 1300 L

These vessels are manufactured at separate facilities at Stawell and Swan Hill, Victoria. A Product Certification Certificate applies to each facility.

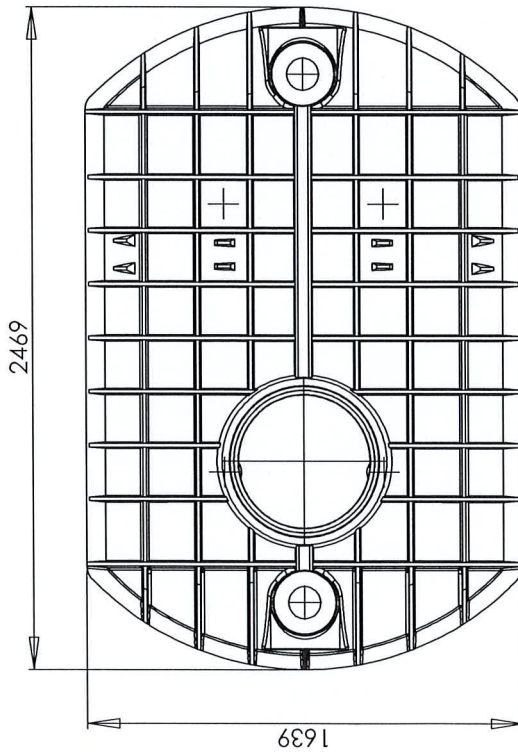
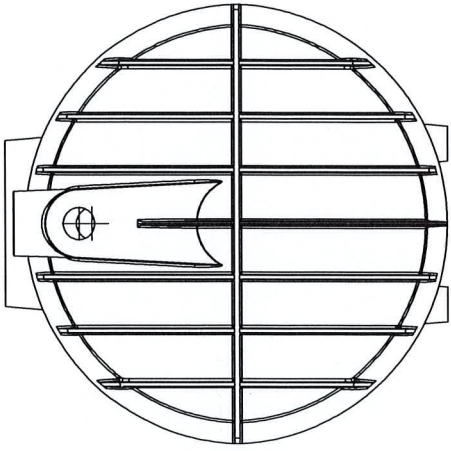
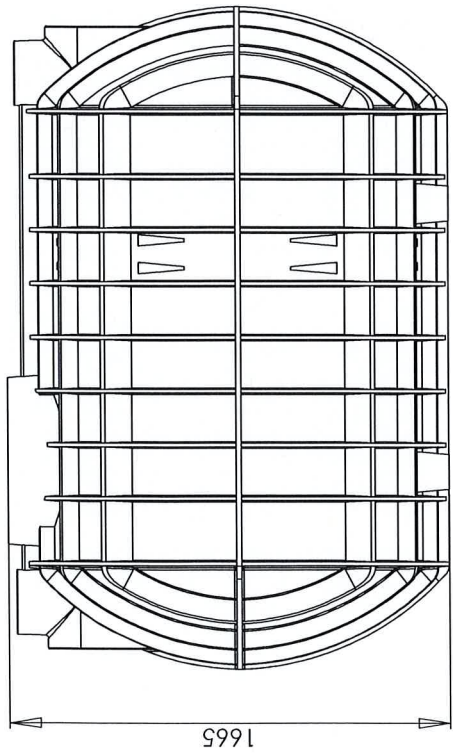
TRIMETRIC VIEW
(TANK IS SECTIONED TO SHOW BAFFLE)



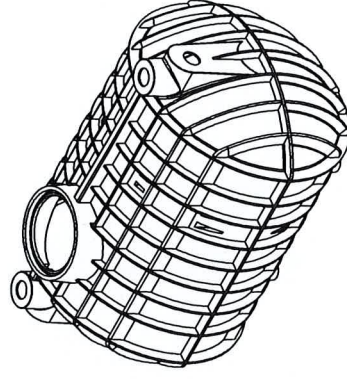
ISOMETRIC VIEW
1:20

ACCREDITED
11 MAR 2024
NSW MINISTRY OF HEALTH


		© POLYMASTER GROUP		DO NOT SCALE. USE DIMENSIONS. ALL DIMENSIONS ARE IN mm		ALL TOLERANCES UNLESS OTHERWISE STATED ±10mm / ±1°	
		Polymaster Group		CLIENT POLYMASTER		TANK SEPTIC SG -	
		SCALE: 1:12 ON A3		SUB TITLE SEPTIC TANK 3100L		COLOUR BLACK	
		FOR REFERENCE		ORDER NO. N/A		MATERIAL LLDPE	
A MB		17-Apr-18		DRAWING NO. 10129-01-01 - BAFFLE		CONTENTS -	
REV		DATE		PARTICULARS		WEIGHT -	
						NAME	
						SIGNATURE	
						DATE	
						DRAWN	
						Rev: A	

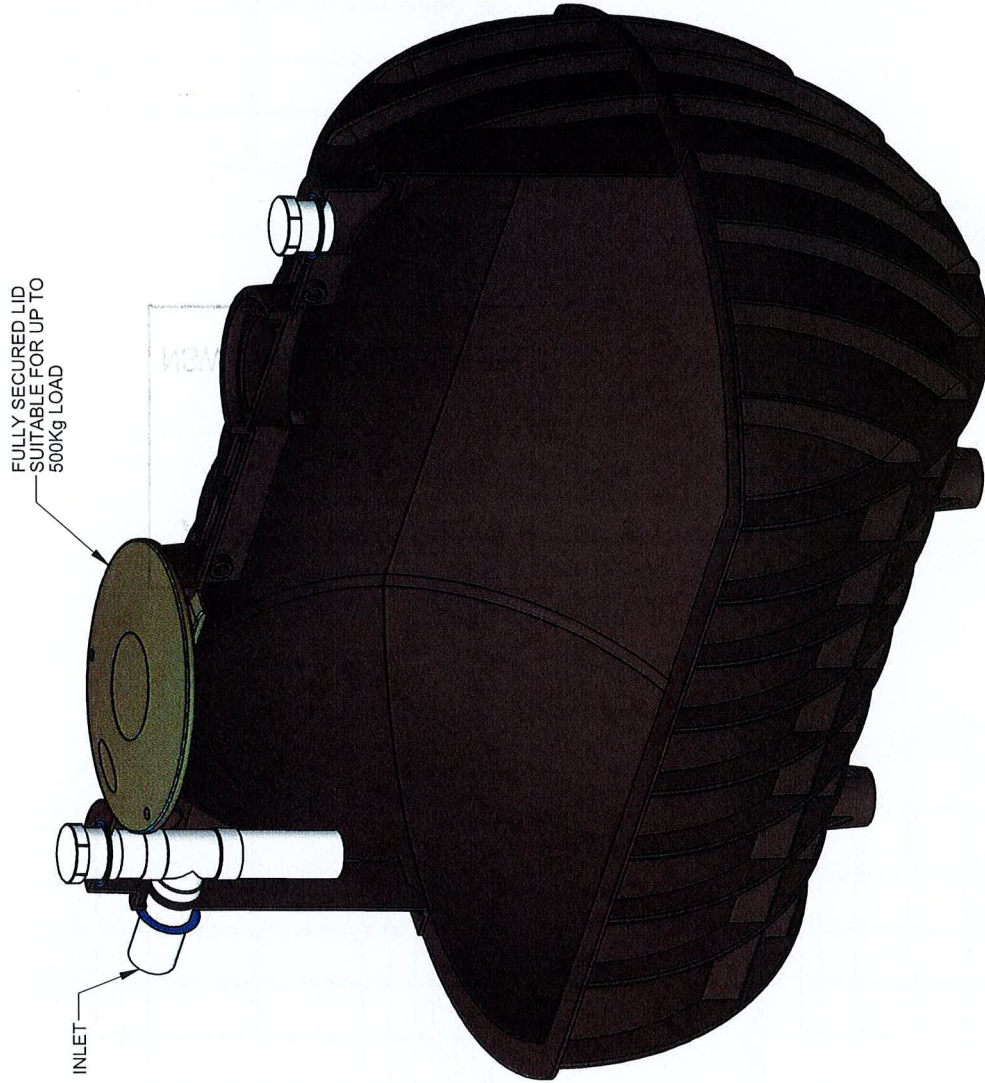


ISOMETRIC VIEW
SCALE: 1:35



ACCREDITED
11 MAR 2024
NSW MINISTRY OF HEALTH

© POLYMASTER GROUP		DO NOT SCALE. USE DIMENSIONS. ALL DIMENSIONS ARE IN mm		ALL TOLERANCES UNLESS OTHERWISE STATED ±10mm / ±1°	
 SCALE: 1:20 ON A3	CLIENT	POLYMASTER	TANK	UGT	CLIENT APPROVAL
	SUB TITLE	SEPTIC TANK - 3100L	COLOUR	BLACK	NAME
ORDER NO.		MATERIAL	LLDPE		SIGNATURE
DRAWING NO.	10129-02-01	CONTENTS	-		DATE
REV/DRAWN	DATE	PARTICULARS			DRAWN
					MB
					05-Mar-18
					REV: X



ACCREDITED
 11 MAR 2024
 NSW MINISTRY OF HEALTH

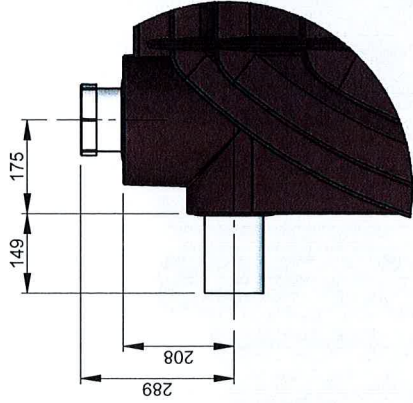
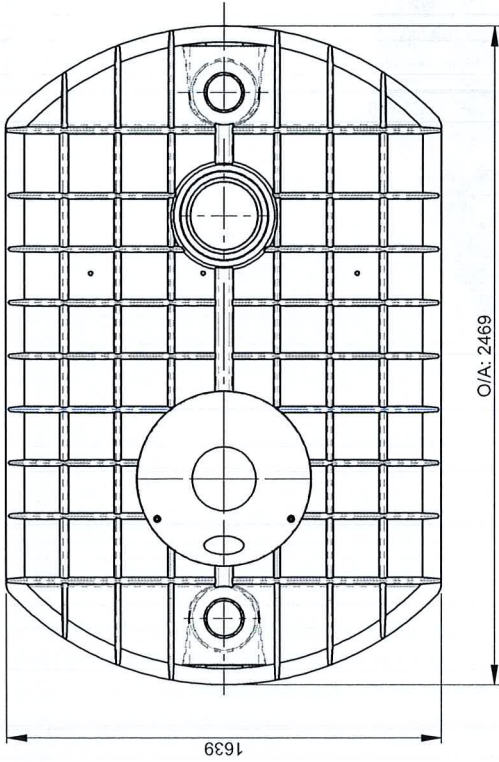
NOTE: ALL TOLERANCES UNLESS OTHERWISE STATED $\pm 10\text{mm} / \pm 1^\circ$
 DO NOT SCALE. USE DIMENSIONS. ALL DIMENSIONS ARE IN mm
 This drawing is the property of Polymaster Group Pty. Ltd. It cannot be copied
 in part or in full without the written permission of Polymaster Group Pty. Ltd.



161 KARINIE STREET
 SWAN HILL, VIC.
 3585
 Ph: (03) 5033 9000
 Fx: (03) 5033 0224

DESCRIPTION	COLLECTION WELL 3300
PRODUCT CODE	CW3300
MATERIAL	LLDPE7032
COLOUR	BLACK
© POLYMASTER GROUP	

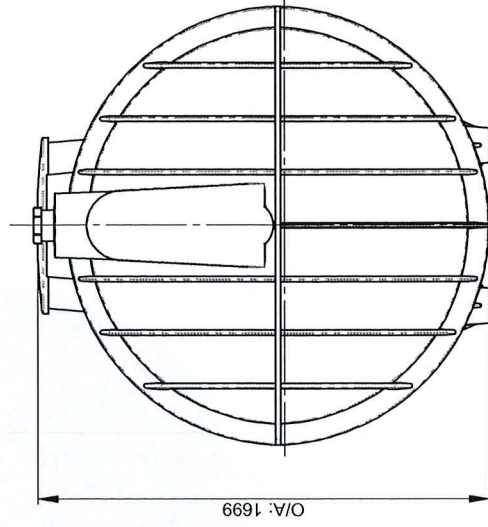
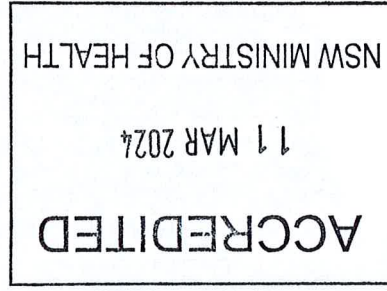
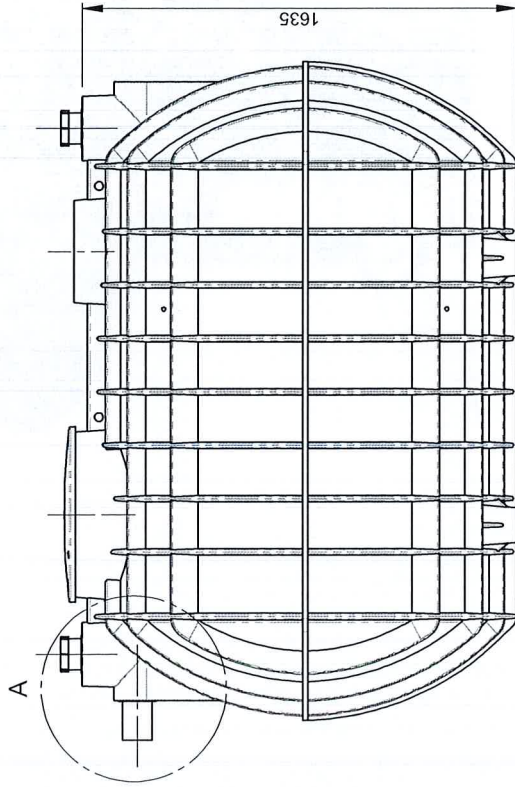
SCALE: 1:12			
A3 SHEET SIZE			
TG	2/09/2021	1/2	Rev:A



DETAIL A
SCALE 1 : 10



ISOMETRIC VIEW
SCALE 1 : 30



NOTE: ALL TOLERANCES UNLESS OTHERWISE STATED $\pm 10\text{mm} / \pm 1^\circ$
DO NOT SCALE. USE DIMENSIONS. ALL DIMENSIONS ARE IN mm

This drawing is the property of Polymaster Group Pty. Ltd. It cannot be copied in part or in full without the written permission of Polymaster Group Pty. Ltd.

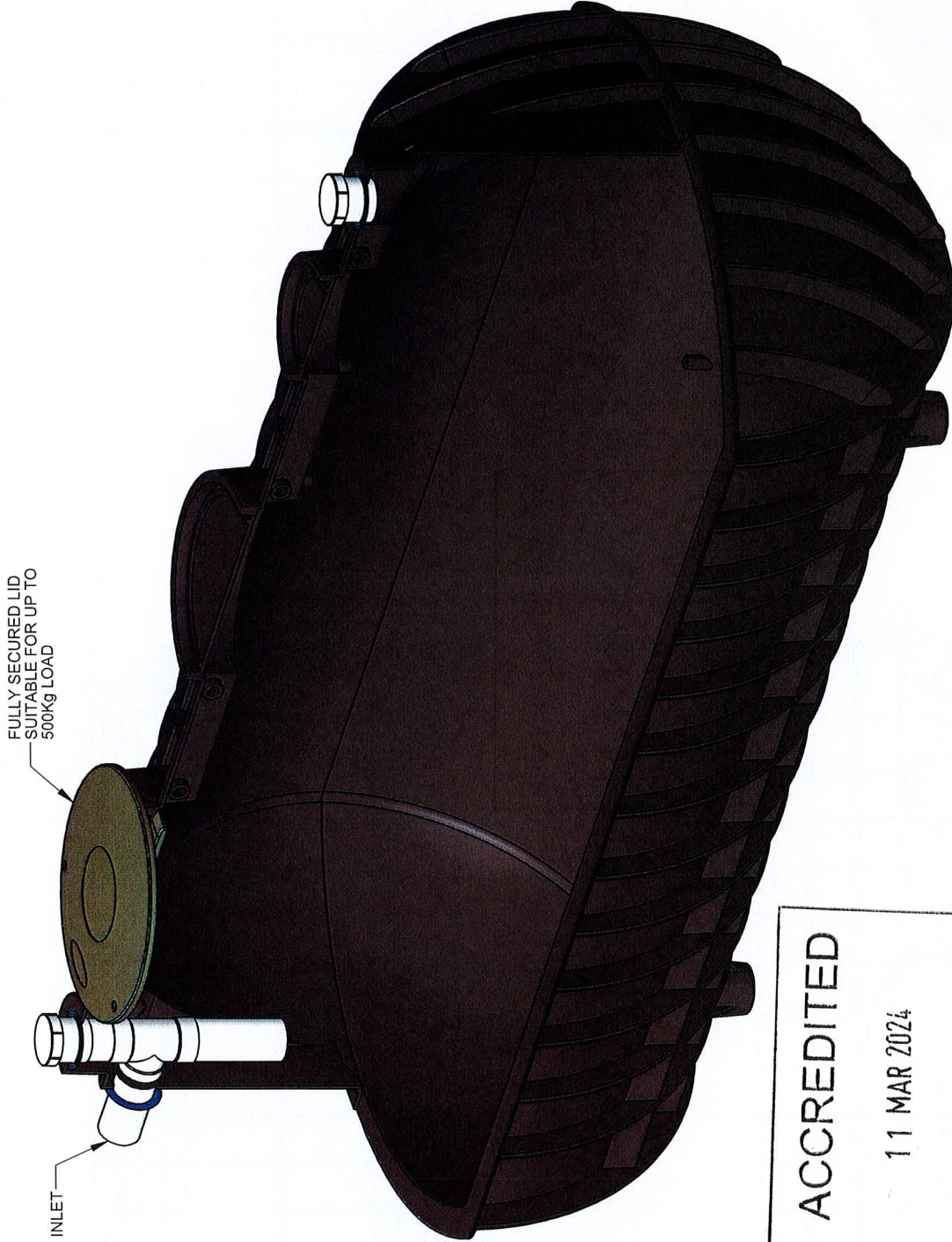


161 KARINIE STREET
SWAN HILL, VIC.
3585
Ph: (03) 5033 9000
Fx: (03) 5033 0224

DESCRIPTION	COLLECTION WELL 3300
PRODUCT CODE	CW3300
MATERIAL	LLDPE 7032
COLOUR	BLACK
© POLYMASTER GROUP	

A3	TG	2/09/2021	2/2	Rev.A
SHEET SIZE		DRAWN		

SCALE: 1:20



ACCREDITED
 11 MAR 2024
 NSW MINISTRY OF HEALTH

NOTE: ALL TOLERANCES UNLESS OTHERWISE STATED $\pm 10\text{mm} / \pm 1^\circ$
 DO NOT SCALE, USE DIMENSIONS. ALL DIMENSIONS ARE IN mm

This drawing is the property of Polymaster Group Pty. Ltd. It cannot be copied in part or in full without the written permission of Polymaster Group Pty. Ltd.

161 KARINIE STREET
 SWAN HILL, VIC.
 3585
 Ph: (03) 5033 9000
 Fx: (03) 5033 0224



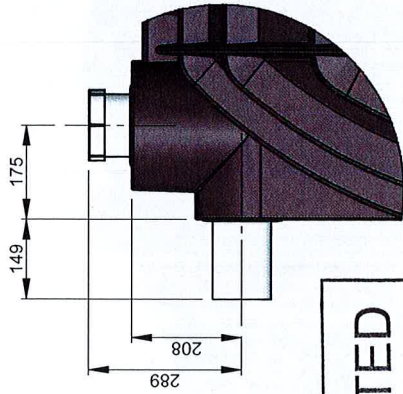
DESCRIPTION	COLLECTION WELL 5000
PRODUCT CODE	CW5000
MATERIAL	LLDPE7032
COLOUR	BLACK
© POLYMASTER GROUP	

SCALE: 1:12	
A3	
SHEET SIZE	TG
	2/09/2021
	1/2
	Rev: A

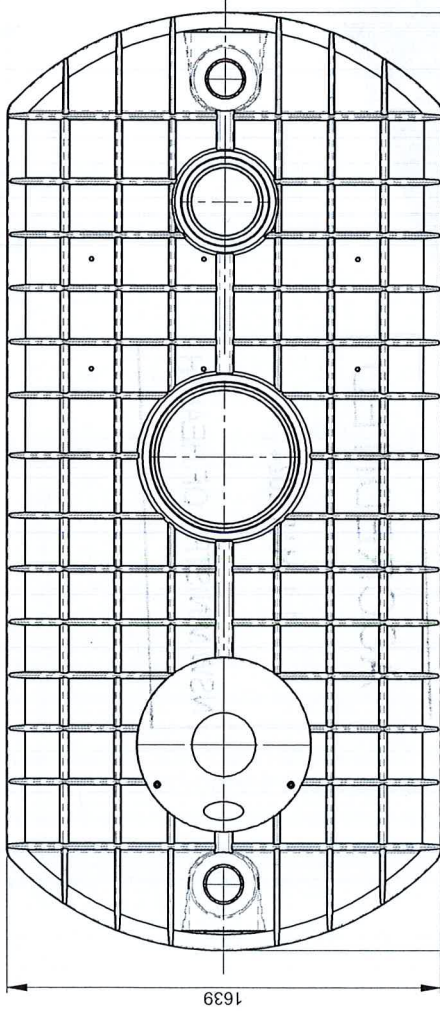
DRAWN



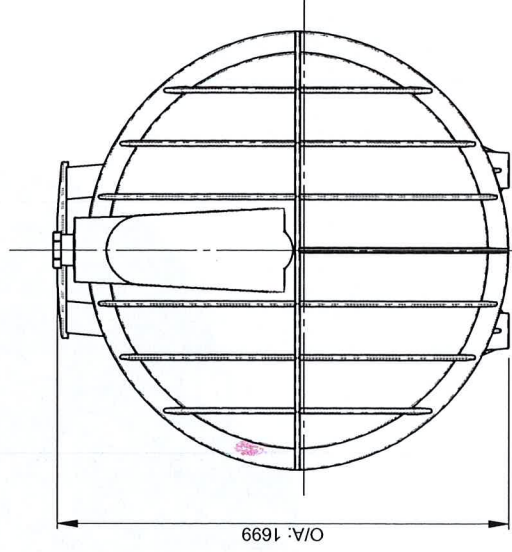
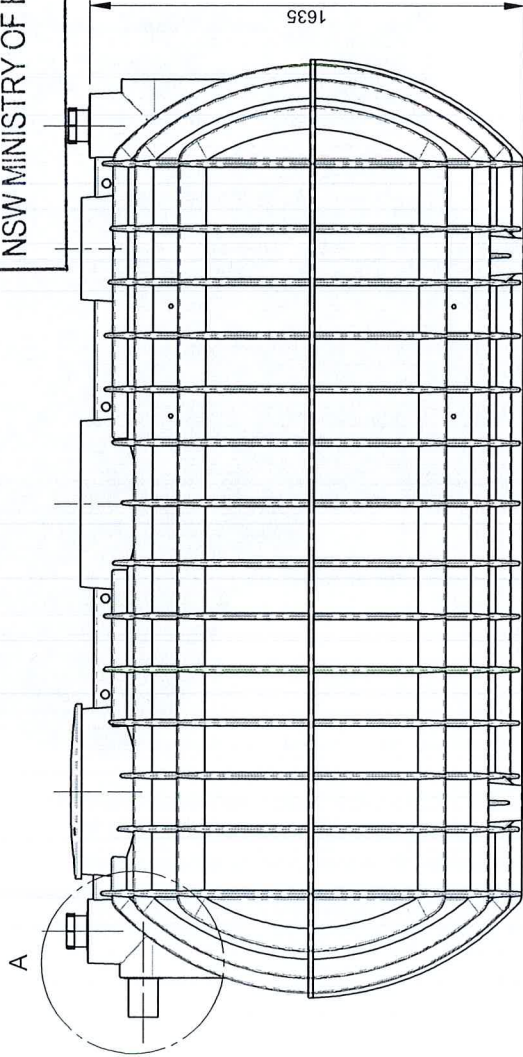
ISOMETRIC VIEW
SCALE 1 : 30



DETAIL A
SCALE 1 : 10



ACCREDITED
11 MAR 2024
NSW MINISTRY OF HEALTH



NOTE: ALL TOLERANCES UNLESS OTHERWISE STATED $\pm 10\text{mm} / \pm 1^\circ$
DO NOT SCALE; USE DIMENSIONS. ALL DIMENSIONS ARE IN mm
This drawing is the property of Polymaster Group Pty. Ltd. It cannot be copied
in part or in full without the written permission of Polymaster Group Pty. Ltd.



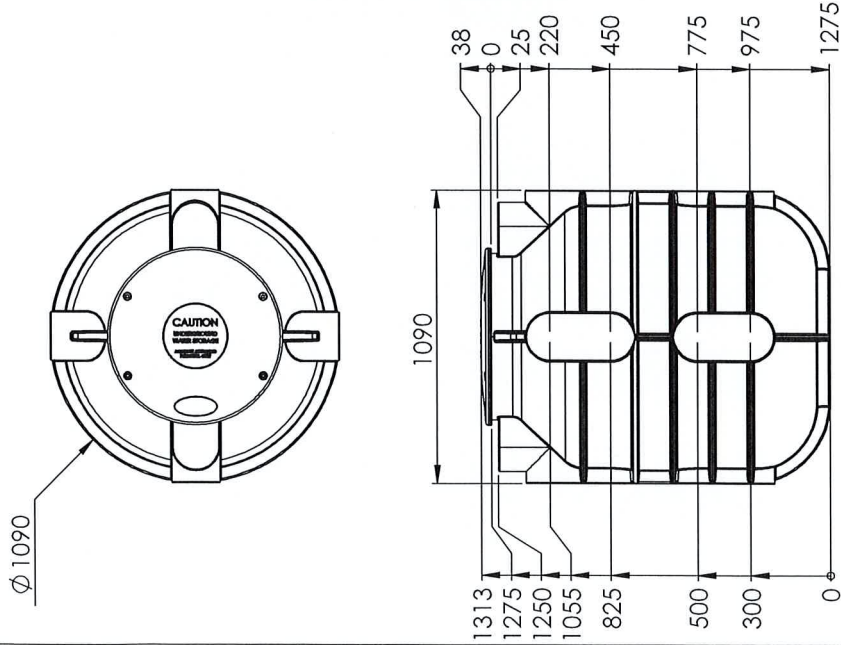
161 KARINIE STREET
SWAN HILL. VIC.
3585
Ph: (03) 5033 9000
Fx: (03) 5033 0224

DESCRIPTION	COLLECTION WELL 5000
PRODUCT CODE	CW5000
MATERIAL	LLDPE 7032
COLOUR	BLACK
© POLYMASTER GROUP	

SCALE: 1:20	A3 SHEET SIZE
TG 2/09/2021 1/2 Rev:A	
DRAWN	TG

PW700

(ROUND LID)

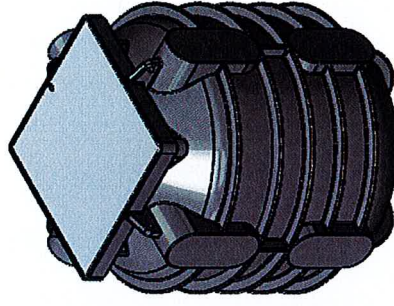
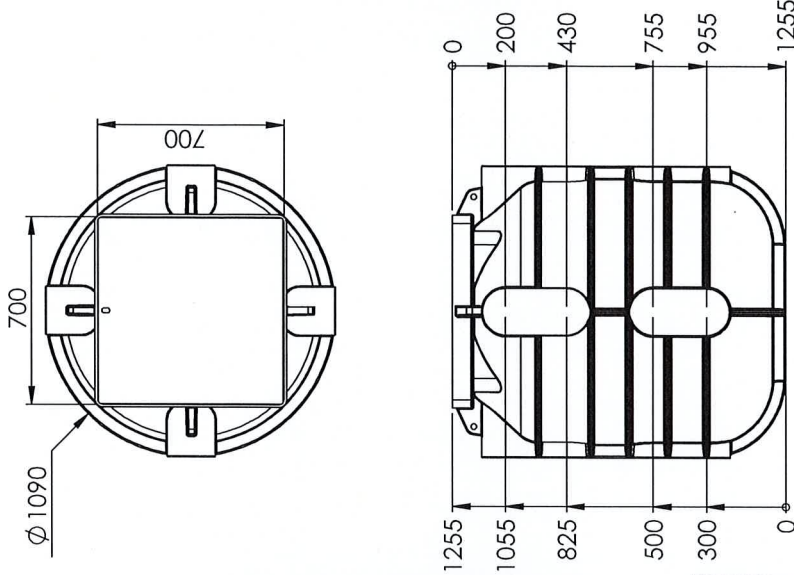


ACCREDITED

11 MAR 2024

NSW MINISTRY OF HEALTH

(SQUARE LID)



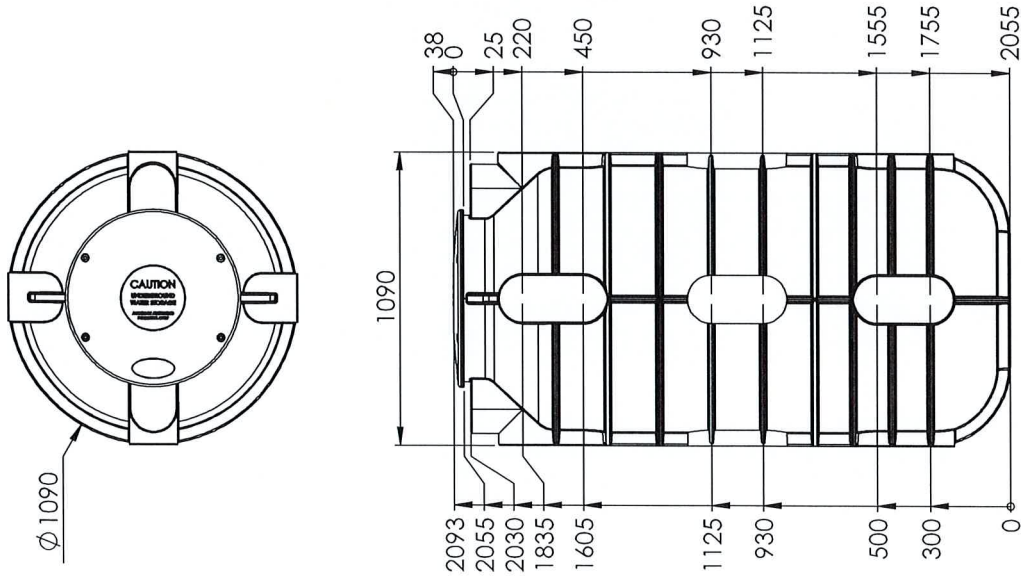
REV	DRAWN	DATE	PARTICULARS	LEVEL	A	DRAWING No.
-	-	-	-	-	-	-
-	-	-	-	-	-	-
-	-	-	-	-	-	-
-	-	-	-	-	-	-
A	RF	24/03/2023	INITIAL RELEASE	-	-	-

DESCRIPTION	PUMP WELLS [PW]	SCALE: 1:20
161 KARINE STREET SWAN HILL, VIC 3585 Ph: (03) 5033 9000 Fx: (03) 5033 0224	PW [VARIES] PE	⊕
Polymaster	A3 SHEET SIZE	⊗
© POLYMASTER GROUP	DRAWN	RF
		24/03/2023
		Rev: A

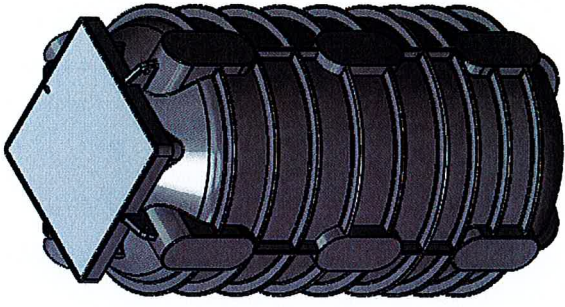
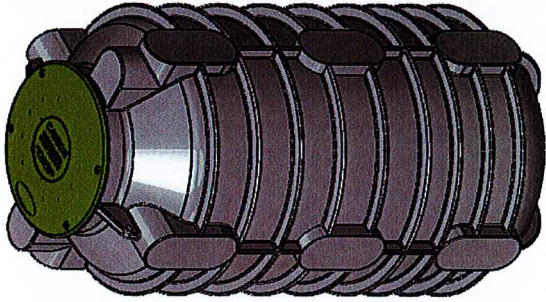
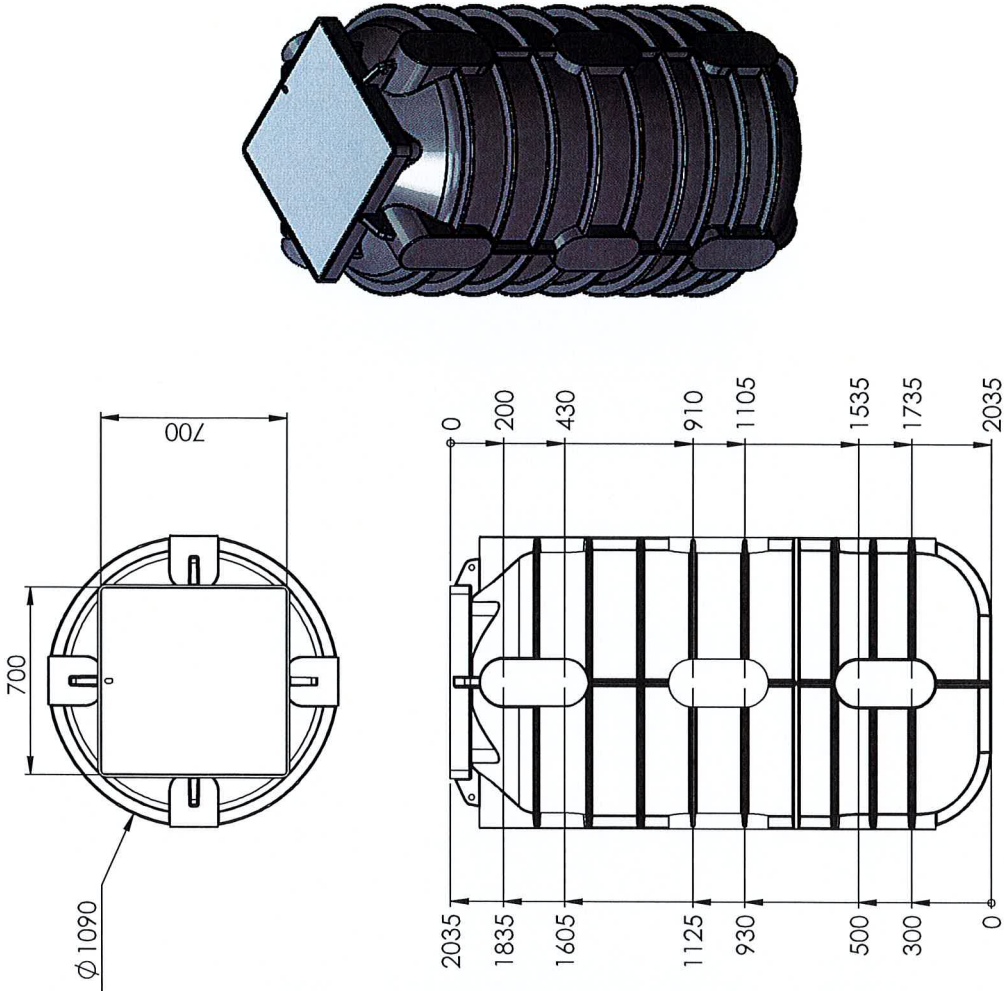
ALL TOLERANCES UNLESS OTHERWISE STATED $\pm 10\text{mm} / \pm 1^\circ$ DO NOT SCALE, USE DIMENSIONS. ALL DIMENSIONS ARE IN mm

PW1300

(ROUND LID)



(SQUARE LID)



ACCREDITED
 11 MAR 2024
 NSW MINISTRY OF HEALTH

REV	DRAWN	DATE	PARTICULARS
A	RF	24/03/2023	INITIAL RELEASE
-	-	-	-
-	-	-	-
-	-	-	-
-	-	-	-
ALL TOLERANCES UNLESS OTHERWISE STATED $\pm 10\text{mm} / \pm 1^\circ$			
DESCRIPTION		PUMP WELLS [PW]	
PRODUCT CODE		PW [VARIES]	
MATERIAL		PE	
COLOUR			
LEVEL	A	DRAWING No.	
© POLYMASTER GROUP		DRAWN	RF
161 KARINE STREET SWAN HILL, VIC 3585 Ph: (03) 5033 9000 Fx: (03) 5033 0224		SCALE: 1:20	
A3 SHEET SIZE		Rev: A	