



# Certificate of Accreditation

## Sewage Management Facility

### Septic Tanks & Collection Wells

*This Certificate of Accreditation is issued by the Secretary of the NSW Ministry of Health pursuant to Clause 41(1) of the Local Government (General) Regulation 2005.*

**Manufacturer:** *Taylex Australia Pty Ltd*

**Of:** *56 Prairie Road, Ormeau, QLD, 4208*

*The Taylex Australia Septic Tank, Collection Wells and Pump Well as described in the following Schedule have been accredited as sewage management facilities for use in single domestic premises in NSW.*

*A/Director, Environmental Health  
for Secretary (delegation PH335)*

**Issued:** *10 / 11 / 2021*  
**Certificate No:** *STCW027*  
**Expires:** *31 December 2025*



## ***Accreditation Schedule***

*The Certificate of Accreditation applies to the following  
Septic Tank, Collection Wells and Pump Well which may be installed  
in ground or above ground:*

Model	Description	Nominated Capacity (Operational Capacity)
Septic Tank	Vertical axis type cylindrical precast steel reinforced concrete with lid, internal partition, access cover, inlet and outlet fittings. Burial depth of the tank lid is restricted to 0 mm	4,000L (3650L)
Collection Wells	Vertical axis type cylindrical precast steel reinforced concrete. Certification applies only to the construction of the tank, lid, access cover and inlet fitting. It does not include the internal fittings or partitions.	4,000L (4750L) 5,000L (5,580L) 10,000L (10,450L) 15,000L (15,050L) 22,00L (21,560L)
Pump Well	Burial depth of the tank lid is restricted to 0 mm	800L (800L)
ABS Collection Well		9,320L (5,900L)

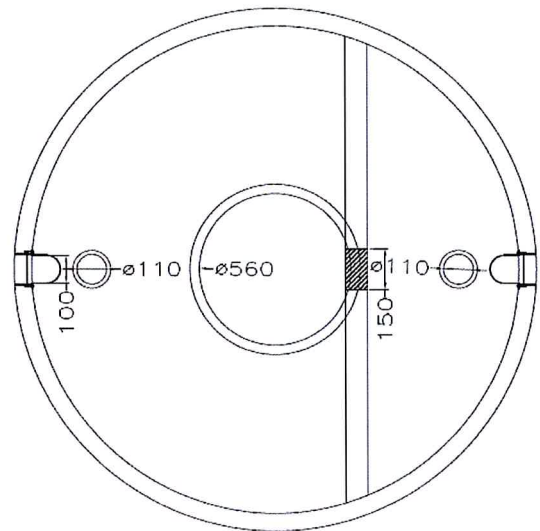
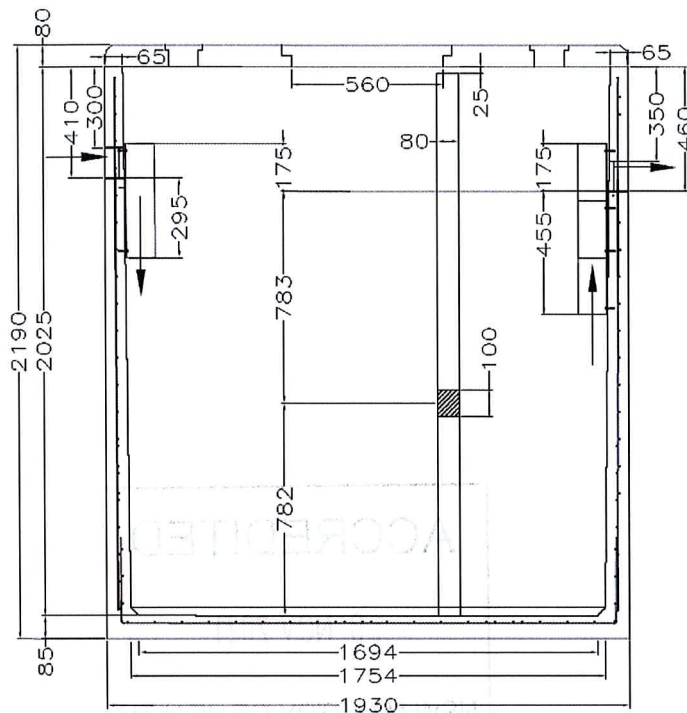


**Taylex**  
WASTEWATER

Taylex Australia Pty Ltd  
56 Prairie Road Ormeau  
Qld 4208  
Ph: 07 3441 5200  
www.taylex.com.au

## Product Information Sheet

Number: 040/1 - Collection Well – 5,040 Lt



### Septic Tank Data

Model	4,000 L Baffle Walled Septic
Weight	4,200 Kg
Total Capacity	4,748 Litres
Operating Capacity	3,638 Litres
Load Rating	NonTrafficable
Lid Thickness	80mm
Anti-flotation	Non

### Recommended Installation Notes

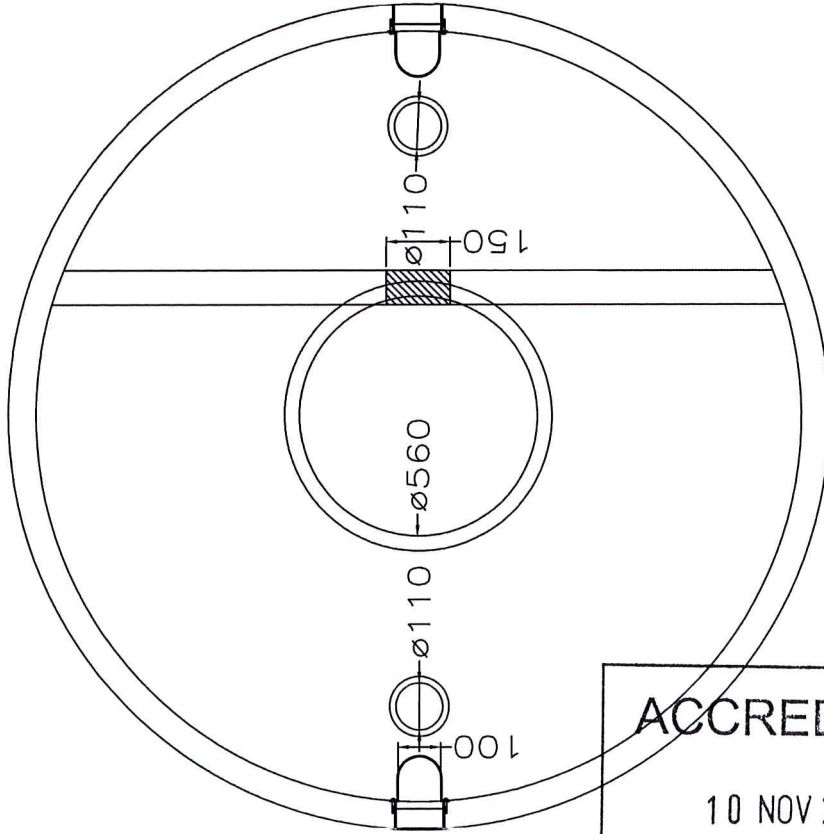
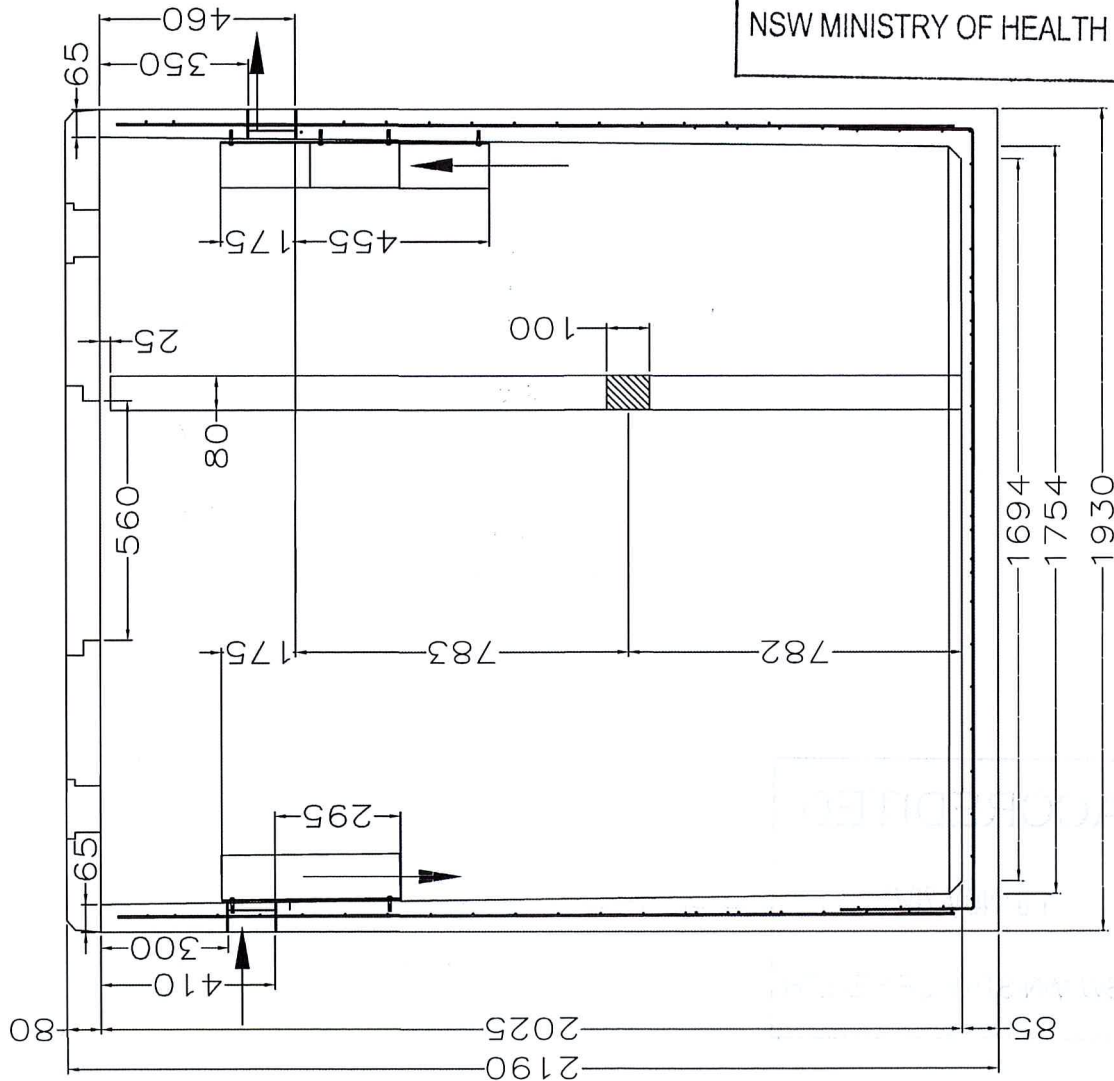
1. Connection in accordance with AS3500 and local government authority
2. All tanks have 100mm PVC DWV SOE couplers for connection to 100mm PVC sewer pipe. A flexible coupler is recommended
3. Lids are designed for pedestrian traffic only. Lids are not designed to carry any extra load from soil, fill or any type of vehicle traffic
4. All tanks are to be bedded on 100mm of 5 - 7mm drainage metal, Do Not use sand or metal dust
5. Backfill with excavated material as long as any rocks over 75mm are removed
6. During back filling it is recommended that tanks are filled with water to operating capacity. If ground water may become an issue then a concrete flange should be cast around the base of the tank to prevent floatation.
7. Tank lids or Risers are to be sealed with Sikaflex Pro
8. The tanks are manufactured to comply with Above Ground - AS 3735:2001, In Ground - AS/NZS1546.1:2008

CONTACT YOUR LOCAL DISTRIBUTOR

**ACCREDITED**

10 NOV 2021

NSW MINISTRY OF HEALTH



**ACCREDITED**  
10 NOV 2021  
NSW MINISTRY OF HEALTH

FILE: Taylex 4,000 Litre Baffle Walled Septic Tank  
Total Capacity 4,748 litres  
Working Capacity 3,638 litres

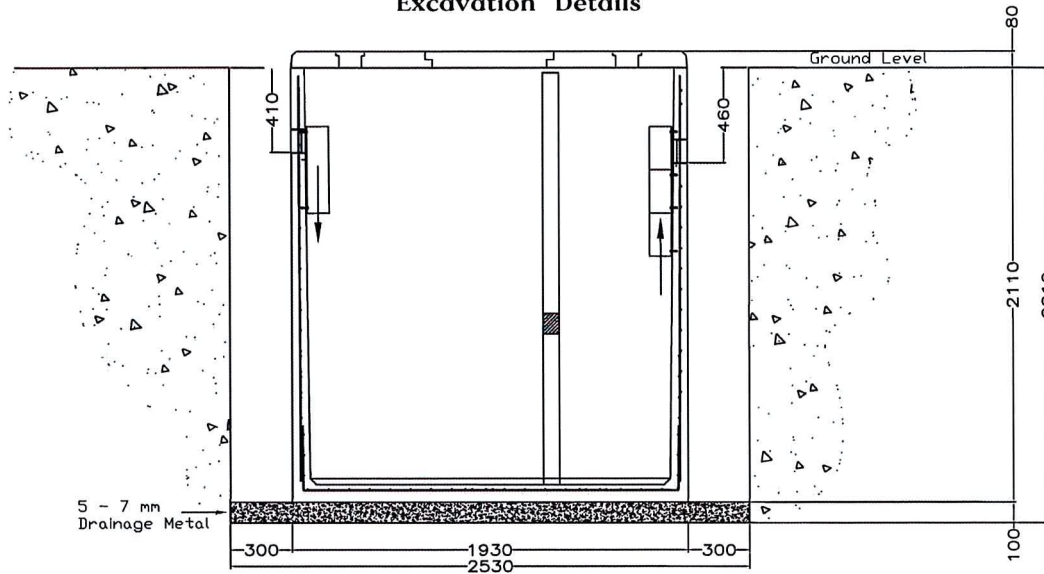
DESIGNED:	DATE:	STATUS:	DESIGN:
DRAWN:	07/11/2018	SCALE:	RTS
CHECKED:			
CAD FILE:			

This drawing is subject to copyright and shall not be reproduced or copied in whole or part without the written permission of Taylex Industries Pty. Ltd.

Taylex Australia Pty Ltd  
56 Prairie Road Ormeau  
Qld 4208  
Ph: 07 3441 5200  
www.taylex.com.au

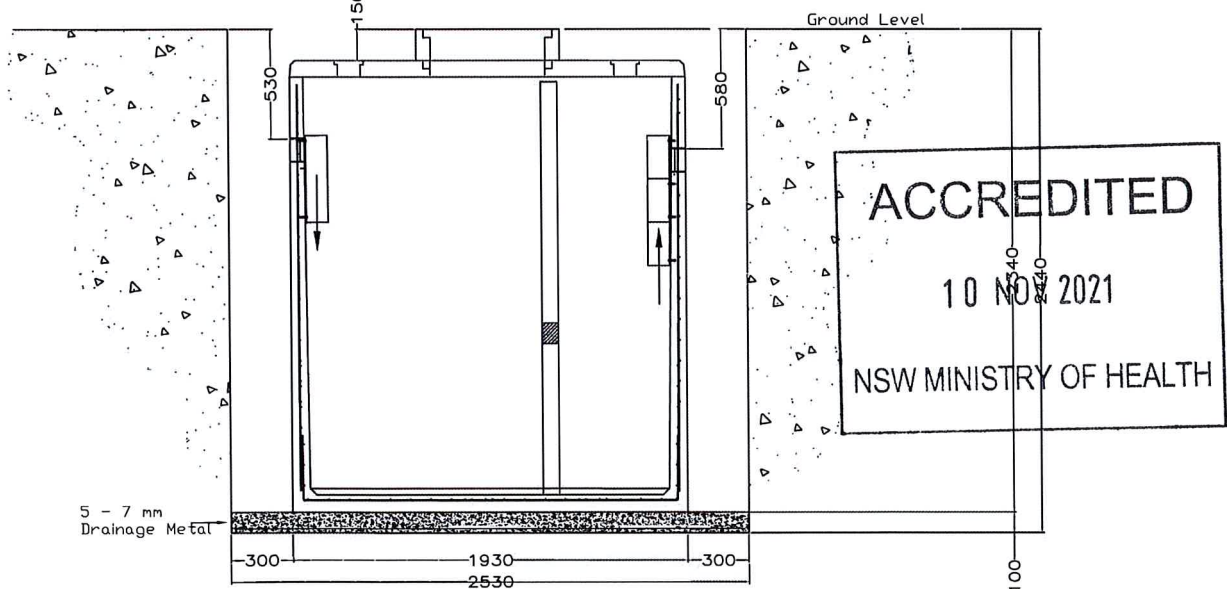


**4,000 Litre Baffle walled  
Septic Tank  
Excavation Details**



1. Dig hole 600mm wider than the diameter of the tank.
2. Dig the hole 100mm deeper than the depth of the tank from the base to the bottom of the lid. (The lid will be exposed and above ground level).
3. Cover base of hole with 100mm of 5-7mm Drainage Gravel ensuring base is finished perfectly level.
4. Do not leave exposed rocks in the base as this will Void Warranty.
5. Do not use sand.
6. Backfill with sand/soil - NOT ROCKS.
7. To prevent flotation, fill tank to at least 70%. Failure to fill tank may cause the tank to float.

**4)000 Litre Baffle walled  
Septic Tank  
Excavation Details (with riser)**



1. Dig hole 600mm wider than the diameter of the tank.
2. Dig the hole 100mm deeper than the depth of the tank from the base to the bottom of the lid. (The lid will be exposed and above ground level).
3. Cover base of hole with 100mm of 5-7mm Drainage Gravel ensuring base is finished perfectly level.
4. Do not leave exposed rocks in the base as this will Void Warranty.
5. Do not use sand.
6. Backfill with sand/soil - NOT ROCKS.
7. To prevent flotation, fill tank to at least 70%. Failure to fill tank may cause the tank to float.

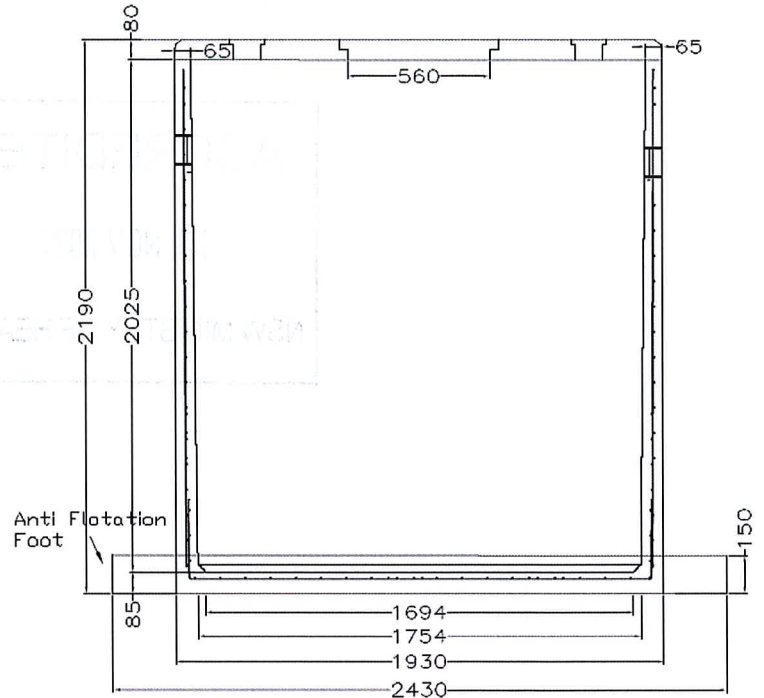
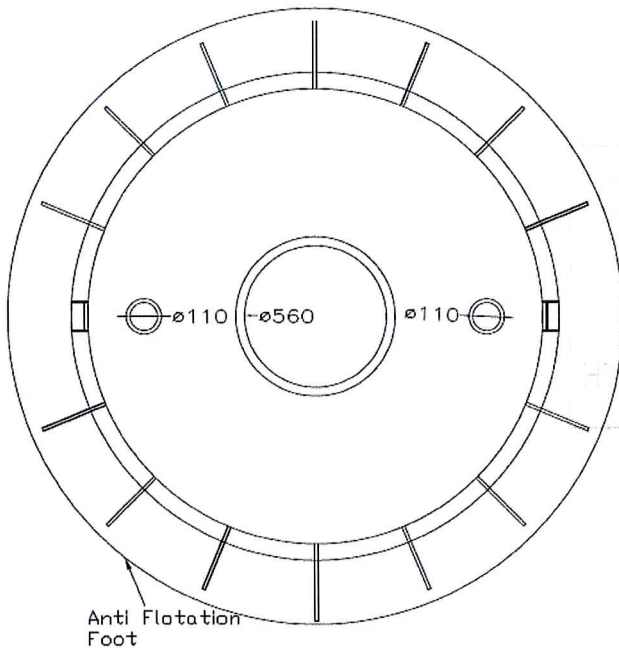


**Taylex**  
WASTEWATER

Taylex Australia Pty Ltd  
56 Prairie Road Ormeau  
Qld 4208  
Ph: 07 3441 5200  
www.taylex.com.au

## Product Information Sheet

Number: 040/1 - Collection Well – 5,040 Lt



### Septic Tank Data

Model	4,000 Pump Well
Weight	4,150 Kg
Total Capacity	5,020 Litres
Operating Capacity	Maximum 4770 Litres
Load Rating	Non Trafficable
Lid Thickness	80mm
Anti-flotation	Fitted at Factory

### Recommended Installation Notes

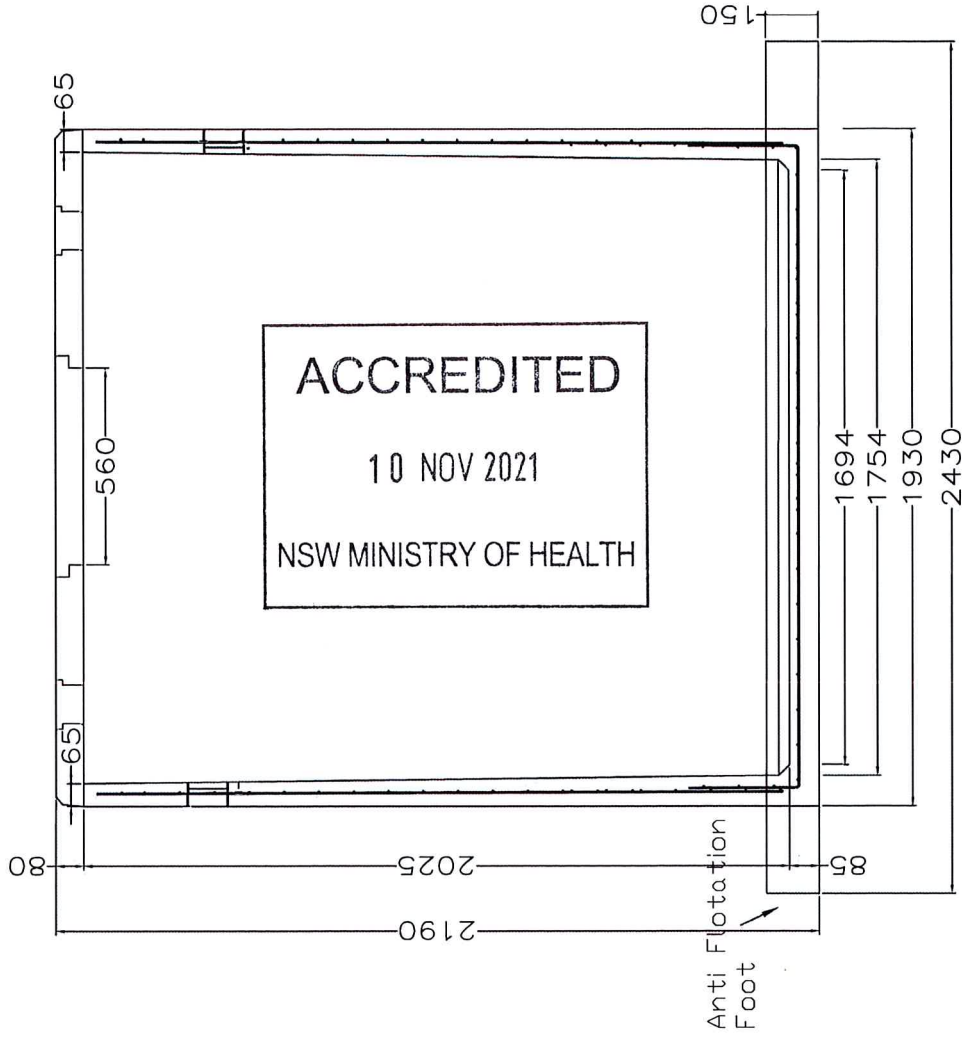
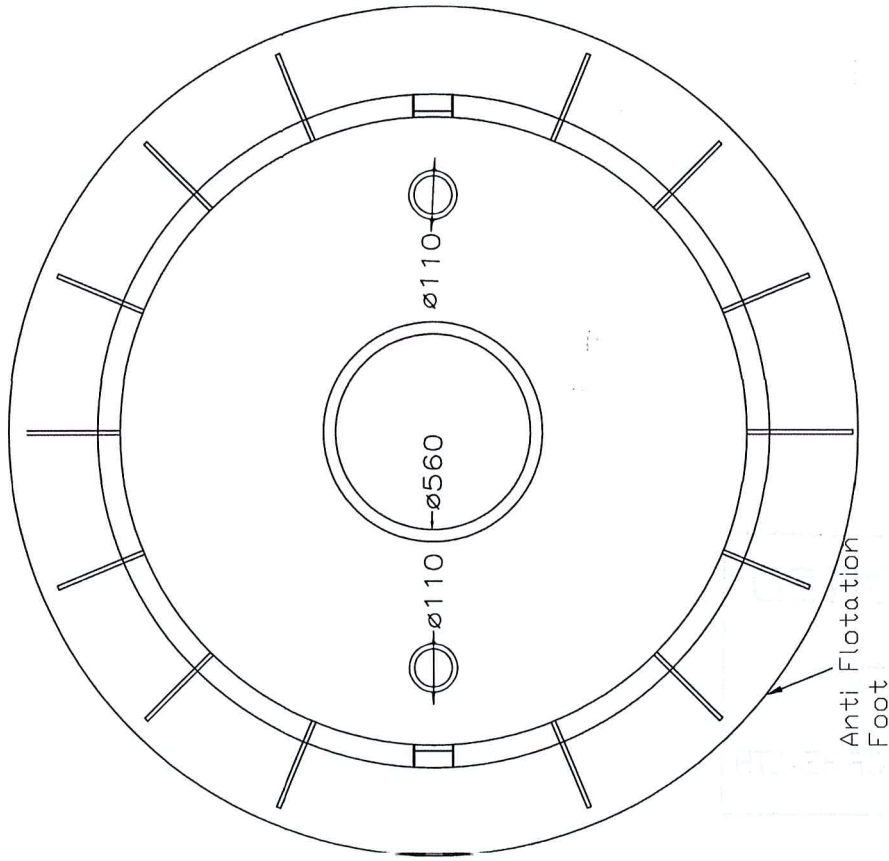
1. Connection in accordance with AS3500 and local government authority
2. All tanks have 100mm PVC DWV SOE couplers for connection to 100mm PVC sewer pipe. A flexible coupler is recommended
3. Lids are designed for pedestrian traffic only. Lids are not designed to carry any extra load from soil, fill or any type of vehicle traffic
4. All tanks are to be bedded on 100mm of 5 - 7mm drainage metal, Do Not use sand or metal dust
5. Backfill with excavated material as long as any rocks over 75mm are removed
6. During back filling it is recommended that tanks are filled with water to operating capacity. If ground water may become an issue then a concrete flange should be cast around the base of the tank to prevent floatation.
7. Tank lids or Risers are to be sealed with Sikaflex Pro
8. The tanks are manufactured to comply with Above Ground - AS 3735:2001, In Ground - AS/NZS1546.1:2008

CONTACT YOUR LOCAL DISTRIBUTOR

**ACCREDITED**

10 NOV 2021

NSW MINISTRY OF HEALTH



Taylex Australia Pty Ltd  
 56 Prairie Road Ormeau  
 Qld 4208  
 ph: 07 3441 5200  
 www.taylex.com.au

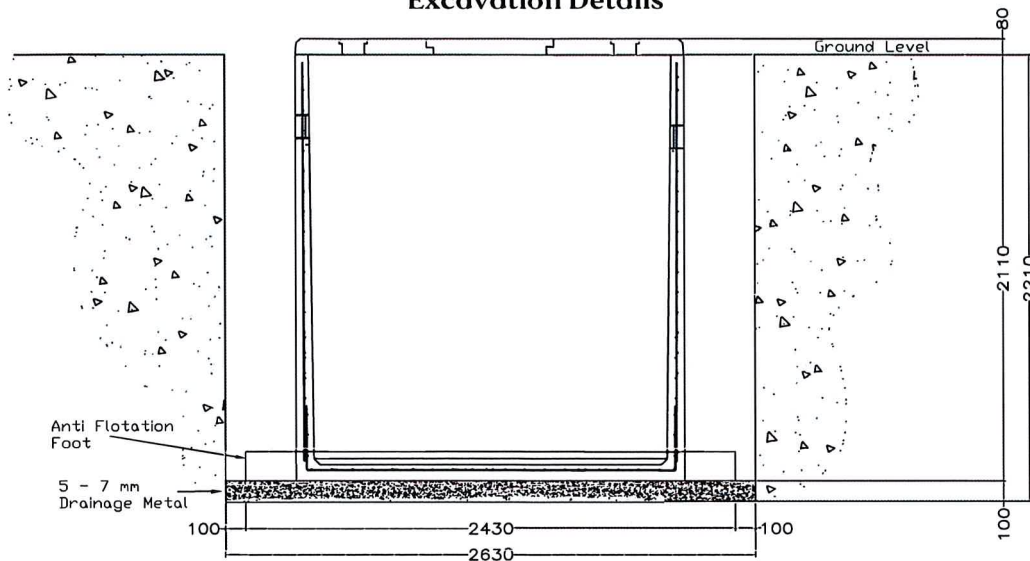


Taylex 4,000 Litre Steel Reinforced Precast Concrete  
 Collection Well Tank  
 Total Capacity 5,020 litres

DESIGNED:	07/11/2018	STATUS:	DESIGN	TITLE:
DRAWN:	07/11/2018	SCALE:	H/S	
CHECKED:				
CAD FILE:				

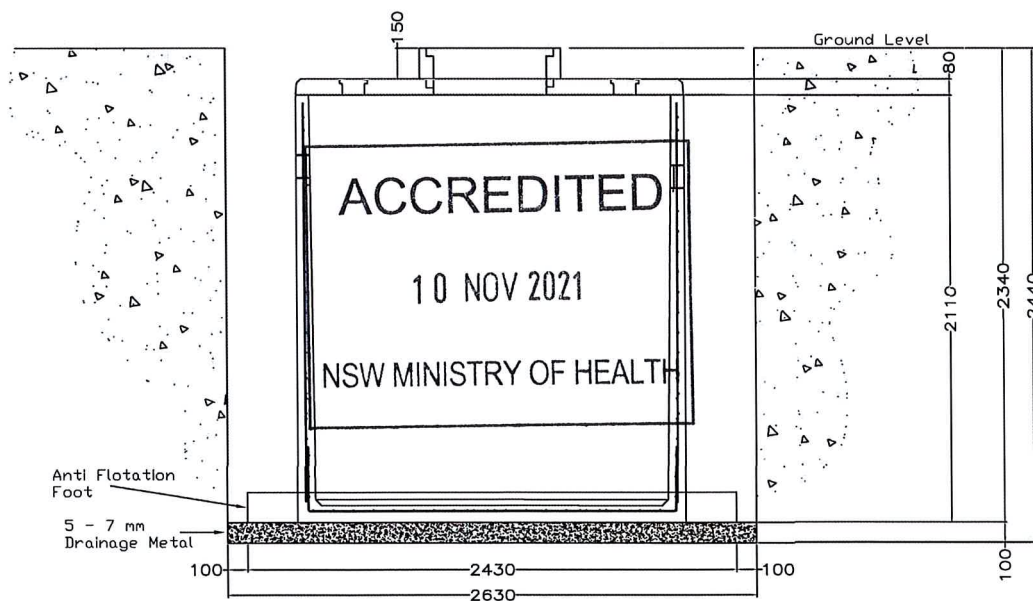
This drawing is subject to Copyright and shall not be reproduced or copied in whole or part without the written permission of Taylex Industries Pty Ltd.

### 4,000 Litre Collection Well Excavation Details



1. Dig hole 200mm wider than the diameter of the Foot on the tank.
2. Dig the hole 100mm deeper than the depth of the tank from the base to the bottom of the lid. (The lid will be exposed and above ground level)
3. Cover base of hole with 100mm of 5 - 7mm Drainage Gravel ensuring base is finished perfectly level
4. DO NOT leave exposed rocks in the base as this will Void Warranty
5. DO NOT use sand
6. Backfill with sand/soil - NOT ROCKS
7. To prevent floatation, ensure the back fill is compacted properly, if unsure fill tank to at least 70% and allow the backfill to settle before emptying the tank.

### 4,000 Litre Collection Well Excavation Details (with riser)



1. Dig hole 200mm wider than the diameter of the Foot on the tank.
2. For Tanks with 150mm risers dig the hole 100mm deeper than the total height of the tank and riser allowing 100mm for bedding.
3. Cover base of hole with 100mm of 5 - 7mm Drainage Gravel ensuring base is finished perfectly level
4. DO NOT leave exposed rocks in the base as this will Void Warranty
5. DO NOT use sand
6. Backfill with sand/soil - NOT ROCKS
7. To prevent floatation, ensure the back fill is compacted properly, if unsure fill tank to at least 70% and allow the backfill to settle before emptying the tank.



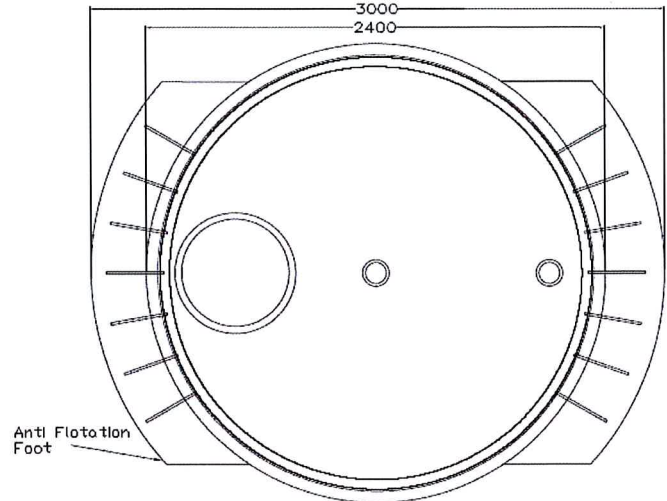
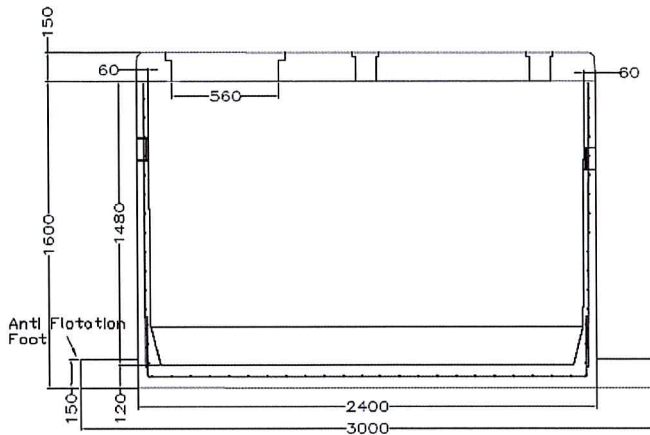


**Taylex**  
WASTEWATER

Taylex Australia Pty Ltd  
56 Prairie Road Ormeau  
Qld 4208  
Ph: 07 3441 5200  
www.taylex.com.au

## Product Information Sheet

**Number: 040/1 - Collection Well – 5,000 Lt**



Septic Tank Data	
Model	5,000 Litre Pump Well
Weight	5,800 Kg
Total Capacity	5,976 Litres
Operating Capacity	Maximum 5,580
Load Rating	2.5 tonne Static Mass Load
Lid Thickness	150mm
Anti-flotation	Flange Base fitted at Factory

### Recommended Installation Notes

1. Connection in accordance with AS3500 and local government authority
2. All tanks have 100mm PVC DWV SOE couplers for connection to 100mm PVC sewer pipe. A flexible coupler is recommended
3. Lids are designed for pedestrian traffic only. Lids are not designed to carry any extra load from soil, fill or any type of vehicle traffic
4. All tanks are to be bedded on 100mm of 5 - 7mm drainage metal, Do Not use sand or metal dust
5. Backfill with excavated material as long as any rocks over 75mm are removed
6. During back filling it is recommended that tanks are filled with water to operating capacity. If ground water may become an issue then a concrete flange should be cast around the base of the tank to prevent floatation.
7. Tank lids or Risers are to be sealed with Sikaflex Pro
8. The tanks are manufactured to comply with Above Ground - AS 3735:2001, In Ground - AS/NZS1546.1:2008
9. Tank certification accredited by Global Certification Pty Ltd Number 040/1
10. A maximum of 150mm risers may be added to the access covers.

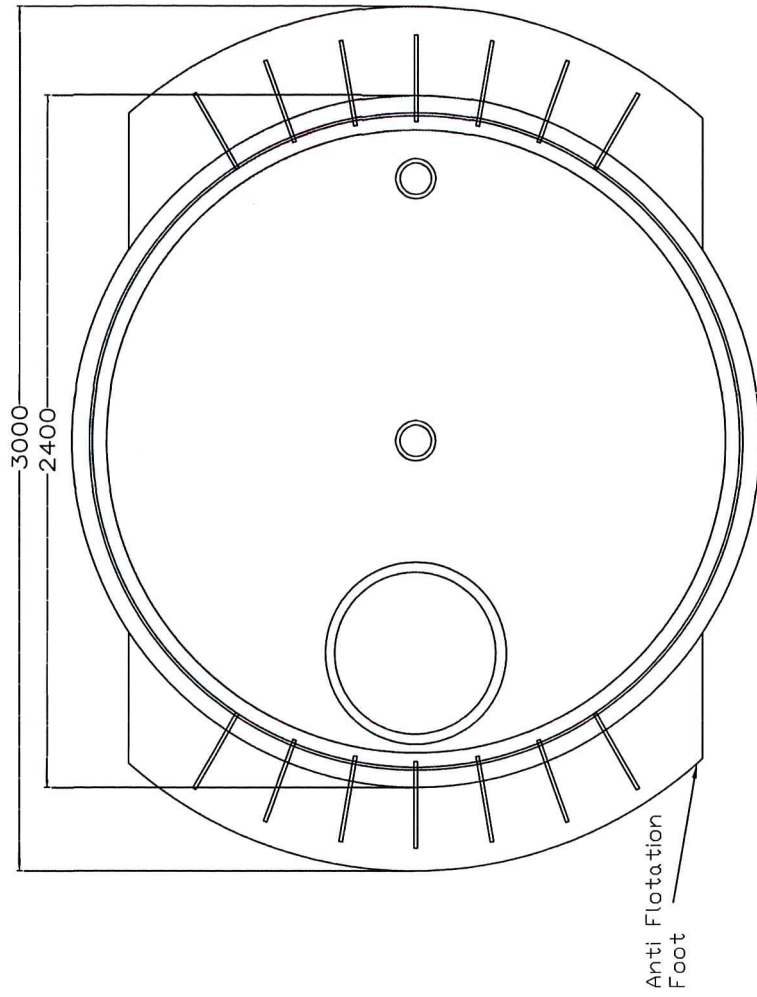
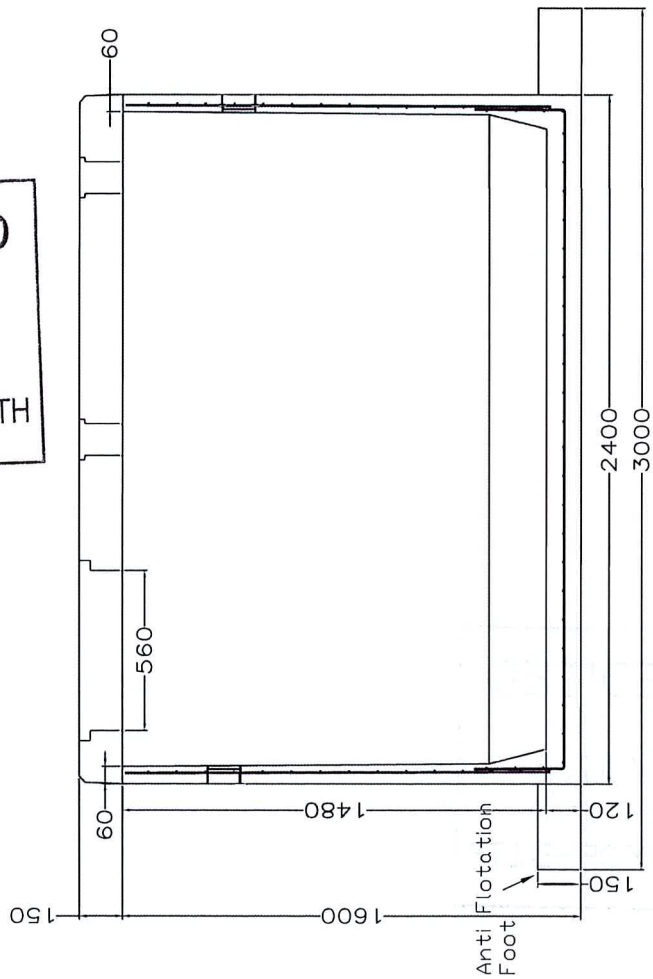
CONTACT YOUR LOCAL DISTRIBUTOR

**ACCREDITED**

10 NOV 2021

NSW MINISTRY OF HEALTH

**ACCREDITED**  
 10 NOV 2021  
 NSW MINISTRY OF HEALTH



**Taylex 5,000 Litre Steel Reinforced  
 Precast Concrete Collection Well Tank  
 Total Capacity 5,976 litres**

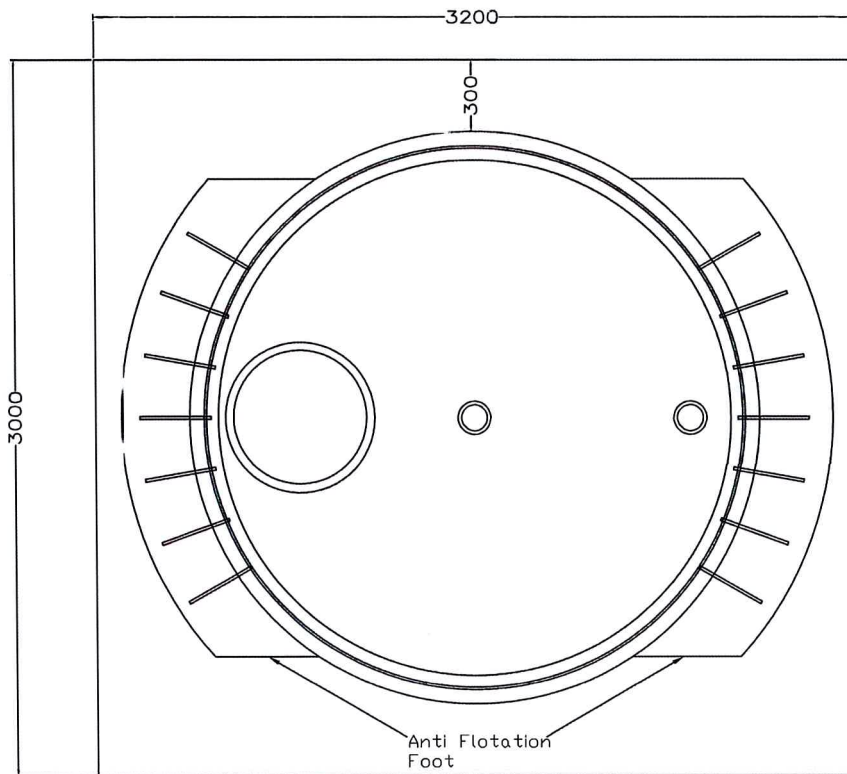
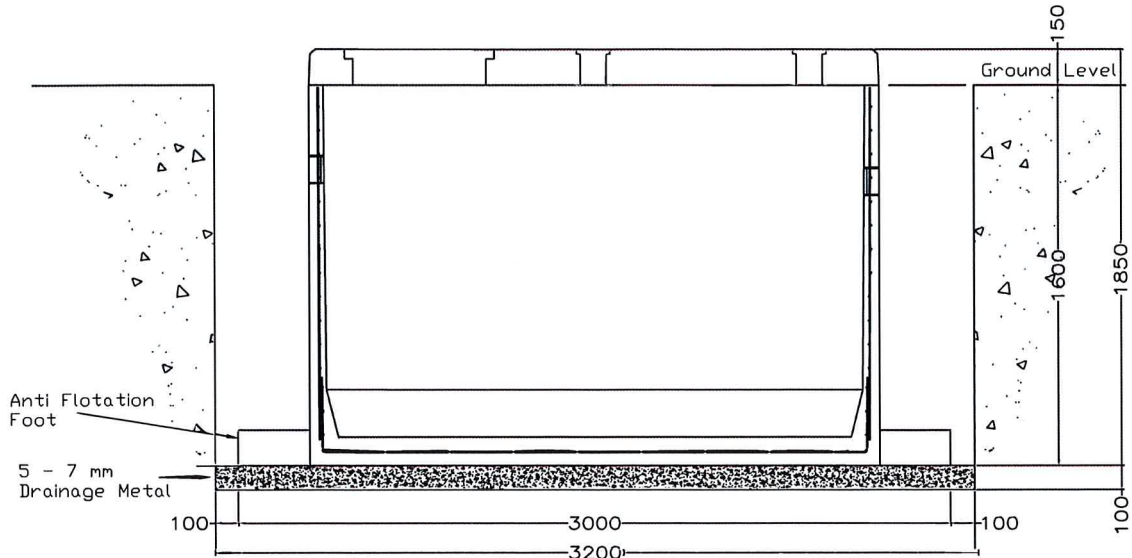
DESIGNED:	DATE:	SCALE:	DESIGN:
DRAWN:	07/11/2008	SCALE:	ITS
CHECKED:			
CAD FILE:			

This drawing is subject to Copyright and shall not be reproduced or copied in whole or part without the written permission of Taylex Industries Pty Ltd.

Taylex Australia Pty Ltd  
 56 Prairie Road Ormeau  
 Qld 4208  
 ph: 07 3441 5200  
 www.taylex.com.au



## 5,000 Litre Collection well



**ACCREDITED**

10 NOV 2021

NSW MINISTRY OF HEALTH

1. Dig rectangular hole. Hole will be 200mm wider in diameter than the foot of the tank. The width of the hole will be 600mm wider than the tank
2. Dig the hole 100mm deeper than the depth of the tank from the base to the bottom of the lid (The lid will be exposed and above ground level).
3. Cover base of hole with 100mm of 5-7mm Drainage Gravel ensuring base is finished perfectly level.
4. DO NOT leave exposed rocks in base as this will void warranty
5. DO NOT use sand
6. Backfill with sand/soil - NOT ROCKS
7. To prevent flotation, ensure the backfill is compacted properly, if unsure fill tank to at least 70% and allow the backfill to settle before emptying the tank.

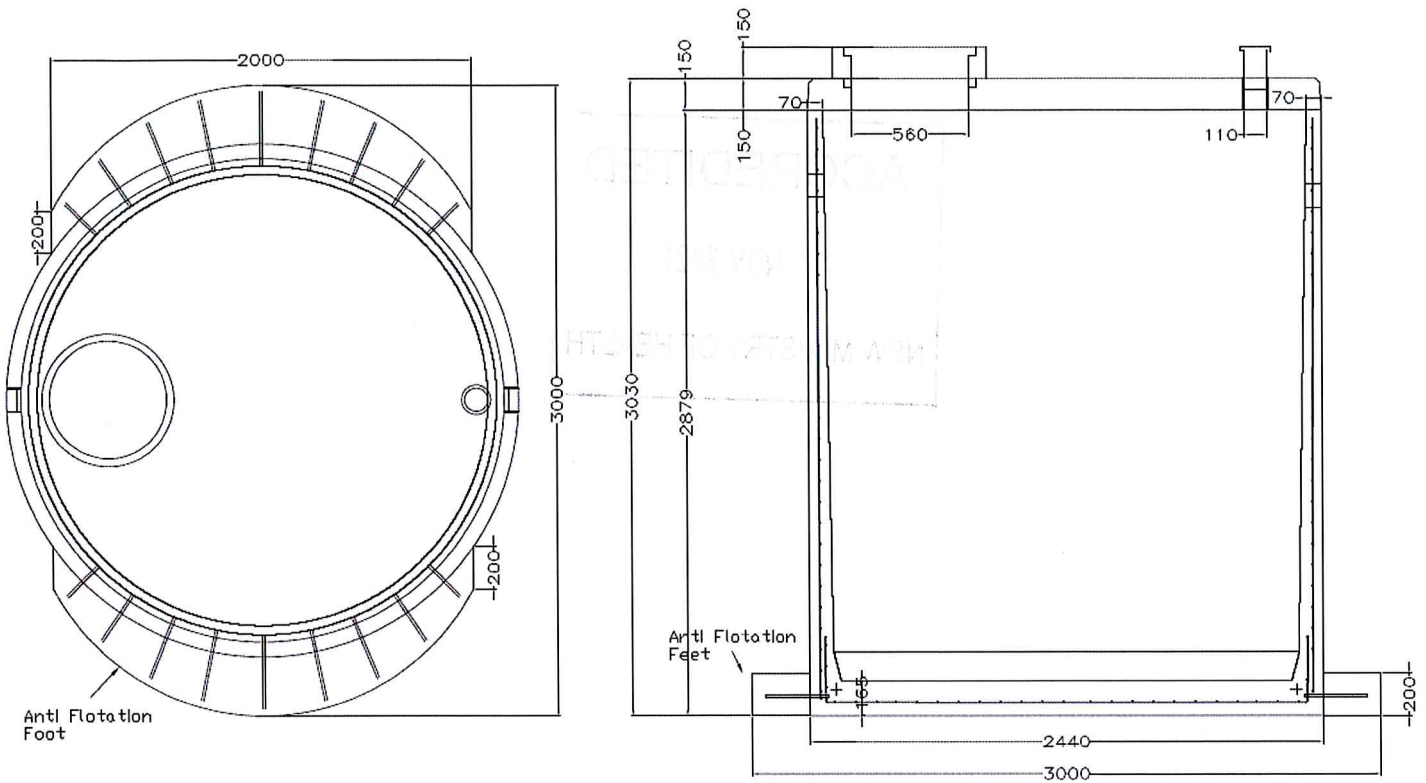


**Taylex**  
WASTEWATER

Taylex Australia Pty Ltd  
56 Prairie Road Ormeau  
Qld 4208  
Ph: 07 3441 5200  
www.taylex.com.au

## Product Information Sheet

Number: 040/1 - Collection Well – 10,000 Lt



### Septic Tank Data

Model	10,000 Litre Slimline Pump Well
Weight	8,000 Kg
Total Capacity	10,860 Litres
Operating Capacity	Maximum 10,462
Load Rating	Non Trafficable
Lid Thickness	150mm
Anti-flotation	Factory Fitted

### Recommended Installation Notes

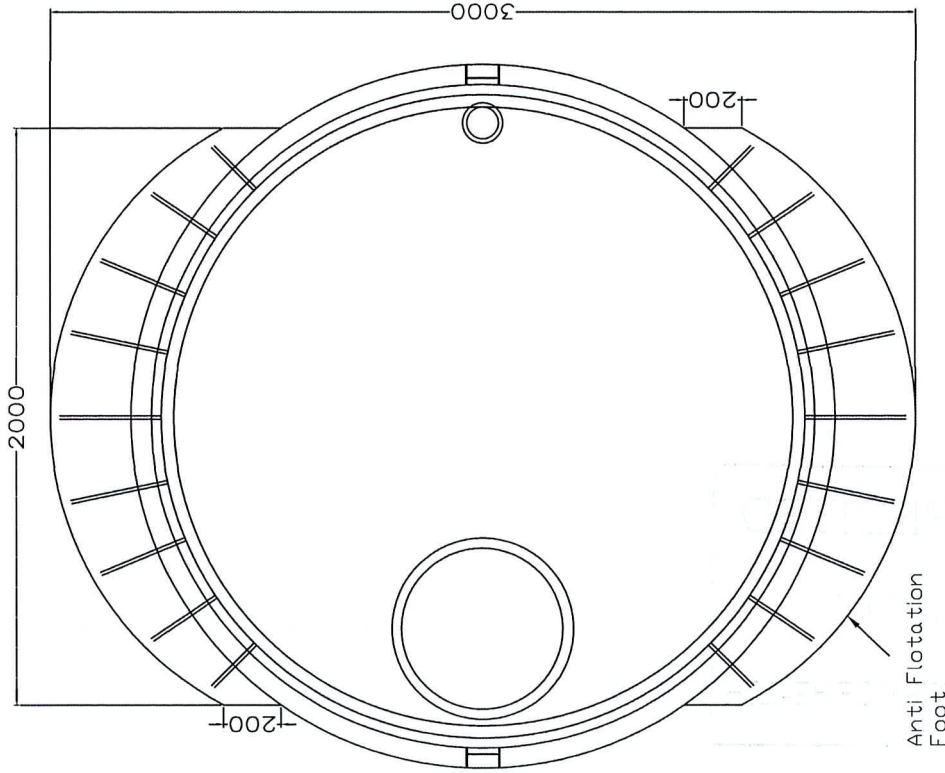
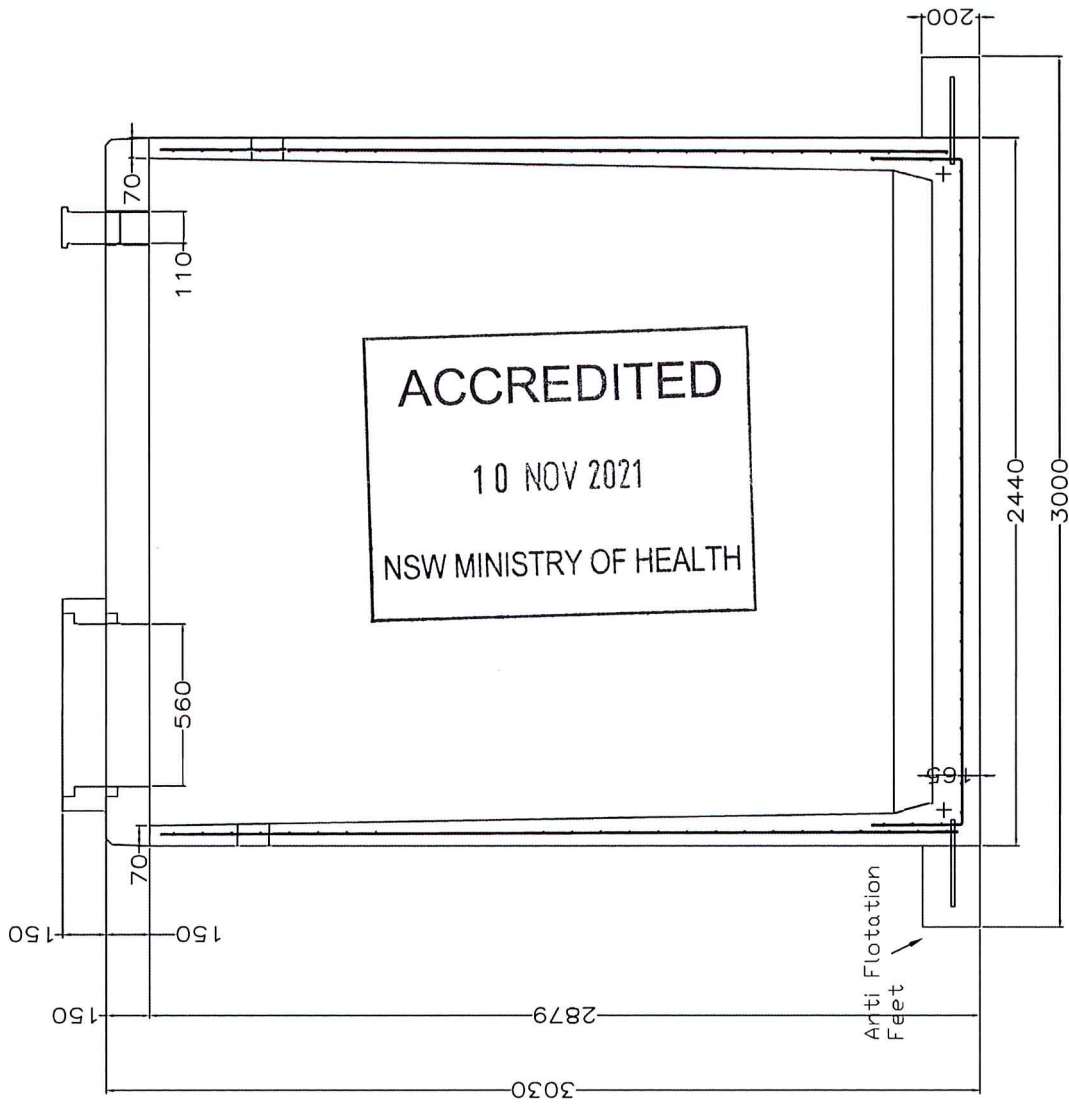
1. Connection in accordance with AS3500 and local government authority
2. 100mm PVC DWV SOE couplers for connection to 100mm PVC sewer pipe. A flexible coupler is recommended
3. Lids are designed for pedestrian traffic only. Lids are not designed to carry any extra load from soil, fill or any type of vehicle traffic
4. All tanks are to be bedded on 100mm of 5 - 7mm drainage metal, Do Not use sand or metal dust
5. Backfill with excavated material as long as any rocks over 75mm are removed
6. During back filling it is recommended that tanks are filled with water to operating capacity. If ground water may become an issue then a concrete flange should be cast around the base of the tank to prevent floatation.
7. Tank lids or Risers are to be sealed with Sikaflex Pro
8. The tanks are manufactured to comply with Above Ground - AS 3735:2001, In Ground - AS/NZS1546.1:2008
9. Tank certification accredited by Global Certification Pty Ltd Number 040/1
10. A maximum of 150mm risers may be added to the access covers.

CONTACT YOUR LOCAL DISTRIBUTOR

**ACCREDITED**

10 NOV 2021

NSW MINISTRY OF HEALTH



FILE: Taylex 10,000 Litre Slimline Steel Reinforced Precast Concrete Collection Well Tank  
Total Capacity 10,860 litres

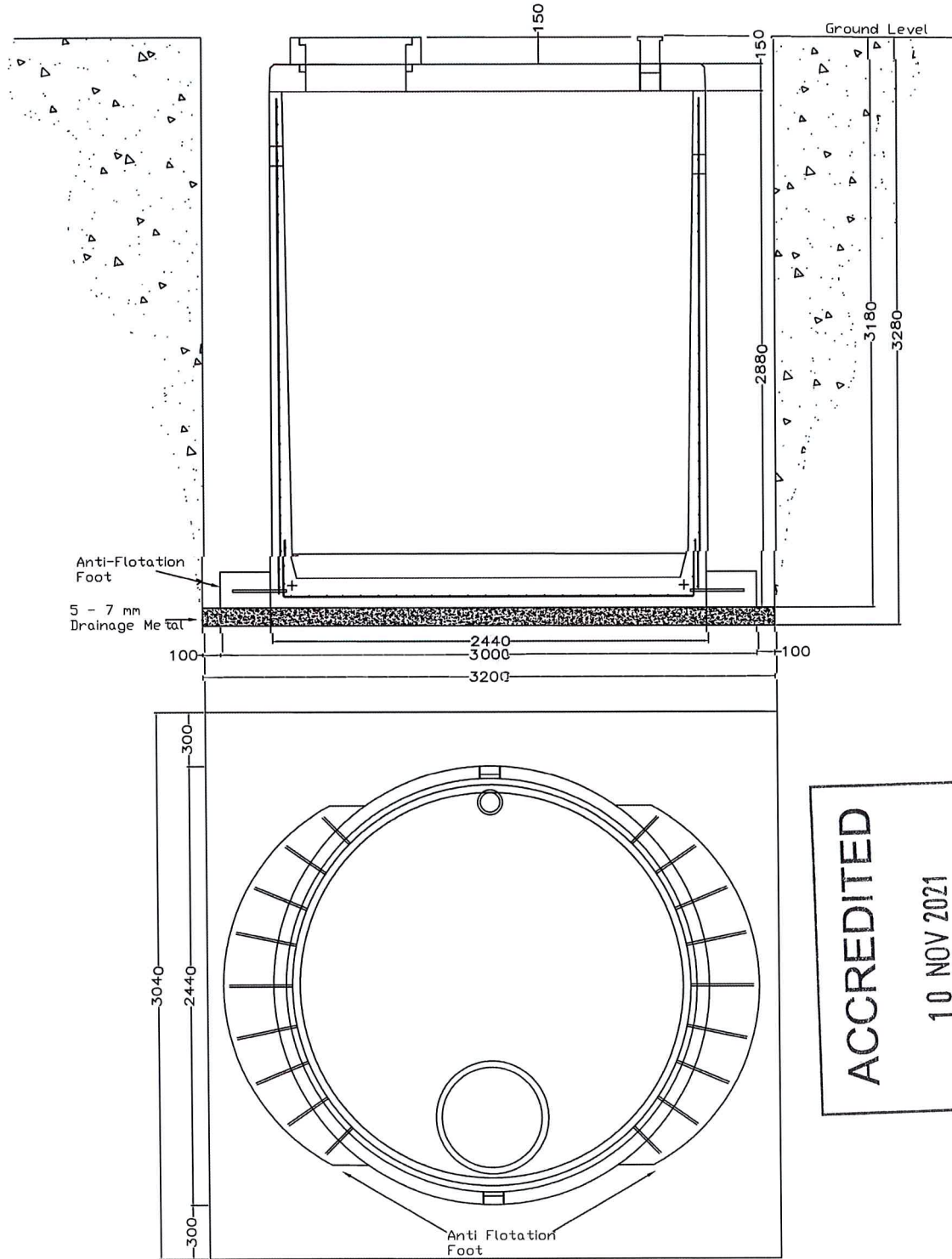
DESIGNED:	01/11/2018	STATUS:	DESIGN
DRAWN:	01/11/2018	DATE:	01/11/2018
CHECKED:		SCALE:	1:1

This drawing is subject to Copyright, and shall not be reproduced or copied in whole or part without the written permission of Taylex Industries Pty Ltd.

Taylex Australia Pty Ltd  
56 Prairie Road Ormeau  
QLD 4208  
Ph: 07 3441 5200  
www.taylex.com.au



**10,000 Litre Slimline  
Collection Well  
Excavation Details**



**ACCREDITED**  
10 NOV 2021  
NSW MINISTRY OF HEALTH

1. Dig rectangular Hole. The hole should be 200mm wider than the diameter of the foot of the tank. The width will be 600mm wider than the diameter of the tank itself.
2. For Tanks with 150mm risers dig the hole 100mm deeper than the total height of the tank and riser allowing 100mm for bedding
3. Cover base of hole with 100mm of 5-7mm Drainage Gravel ensuring base is finished perfectly level.
4. DO NOT leave exposed rocks in the base as this will Void Warranty
5. DO NOT use sand.
6. Backfill with sand/soil - NOT ROCKS
7. To prevent flotation, ensure the back fill is compacted properly, if unsure fill tank to at least 70% and allow the backfill to settle before emptying that the tank.



Taylex Australia Pty Ltd  
56 Prairie Rd, Ormeau QLD 4208  
ABN 43 646 051 989

Date:

This drawing is subject to Copyright and shall not be reproduced or copied in whole or part without the written permission of Taylex Australia Pty Ltd.

Title:

Taylex 10,000 Slimline Collection Well  
Excavation Details

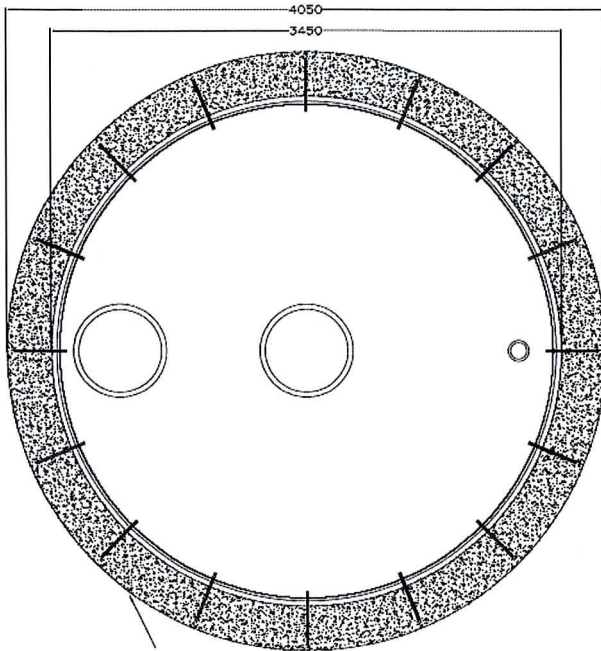


**Taylex**  
WASTEWATER

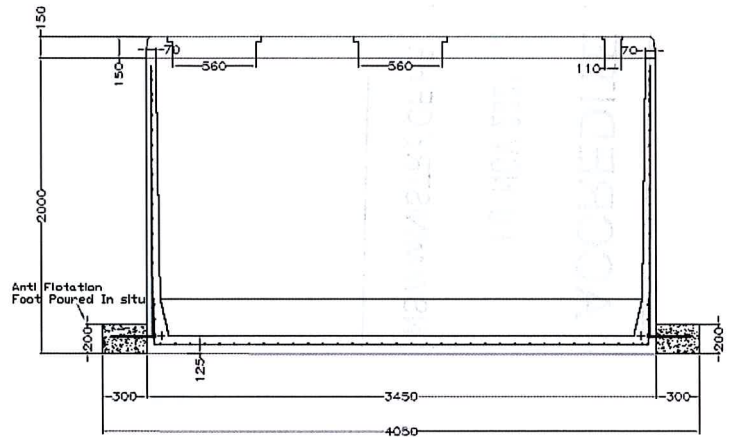
Taylex Australia Pty Ltd  
56 Prairie Road Ormeau  
Qld 4208  
Ph: 07 3441 5200  
www.taylex.com.au

## Product Information Sheet

Number: 040/1 - Collection Well – 15,000 Lt



Anti Flotation Foot  
Ready-mix concrete  
supplied by others  
and cast onsite by  
others



### Septic Tank Data

Model	15,000 Litre Pump Well
Weight	10,000 Kg
Total Capacity	15,890 Litres
Operating Capacity	Maximum 15,040
Load Rating	Non Trafficable
Lid Thickness	150mm / 100mm
Anti-flotation	Non

### Recommended Installation Notes

1. Connection in accordance with AS3500 and local government authority
2. All tanks have 100mm PVC DWV SOE couplers for connection to 100mm PVC sewer pipe. A flexible coupler is recommended
3. Lids are designed for pedestrian traffic only. Lids are not designed to carry any extra load from soil, fill or any type of vehicle traffic
4. All tanks are to be bedded on 100mm of 5 - 7mm drainage metal, Do Not use sand or metal dust
5. Backfill with excavated material as long as any rocks over 75mm are removed
6. During back filling it is recommended that tanks are filled with water to operating capacity. If ground water may become an issue then a concrete flange should be cast around the base of the tank to prevent floatation.
7. Tank lids or Risers are to be sealed with Sikaflex Pro
8. The tanks are manufactured to comply with Above Ground - AS 3735:2001, In Ground - AS/NZS1546.1:2008
9. Tank certification accredited by Global Certification Pty Ltd Number 040/1
10. A maximum of 150mm risers may be added to the access covers.

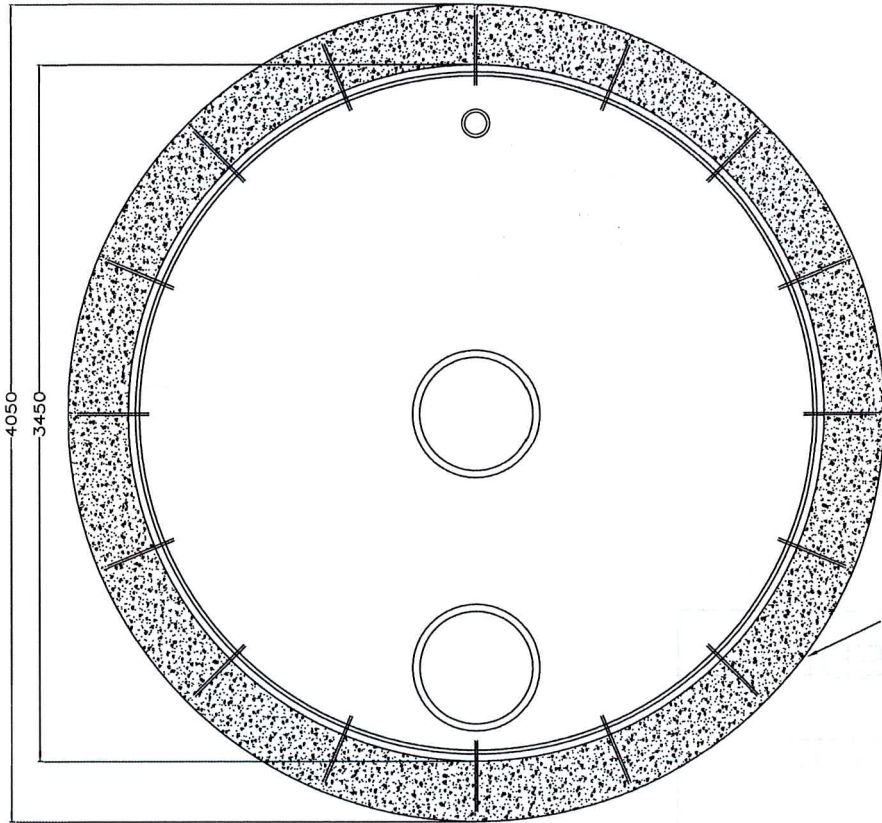
CONTACT YOUR LOCAL DISTRIBUTOR

**ACCREDITED**

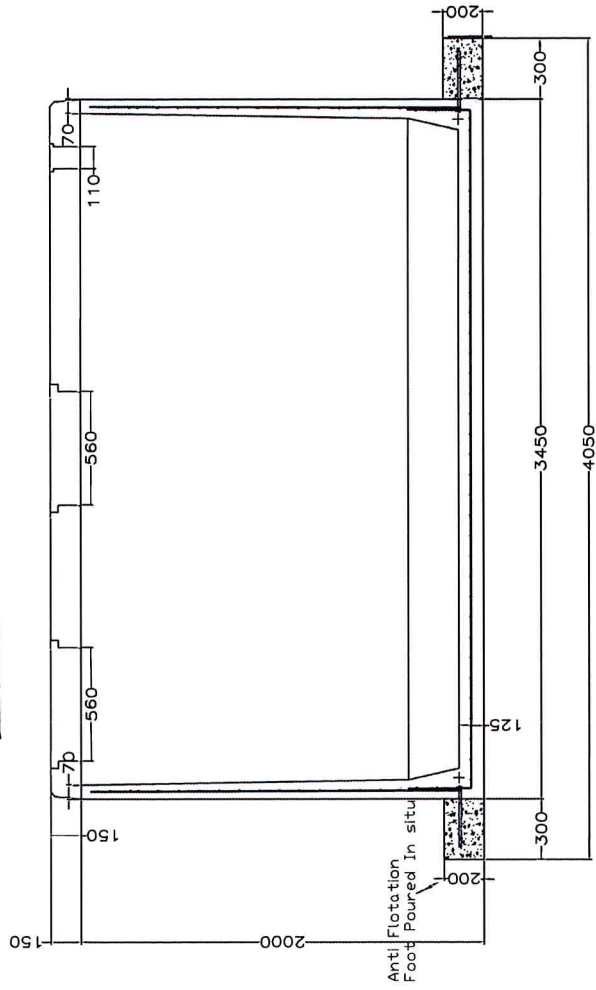
10 NOV 2021

NSW MINISTRY OF HEALTH

**ACCREDITED**  
 10 NOV 2021  
 NSW MINISTRY OF HEALTH



Anti Flotation Foot  
 Ready-mix concrete  
 supplied by others  
 and cast onsite by  
 others.



Taylex Australia Pty Ltd  
 56 Prairie Road Ormeau  
 QLD 4208  
 Ph: 07 3441 5200  
 www.taylex.com.au



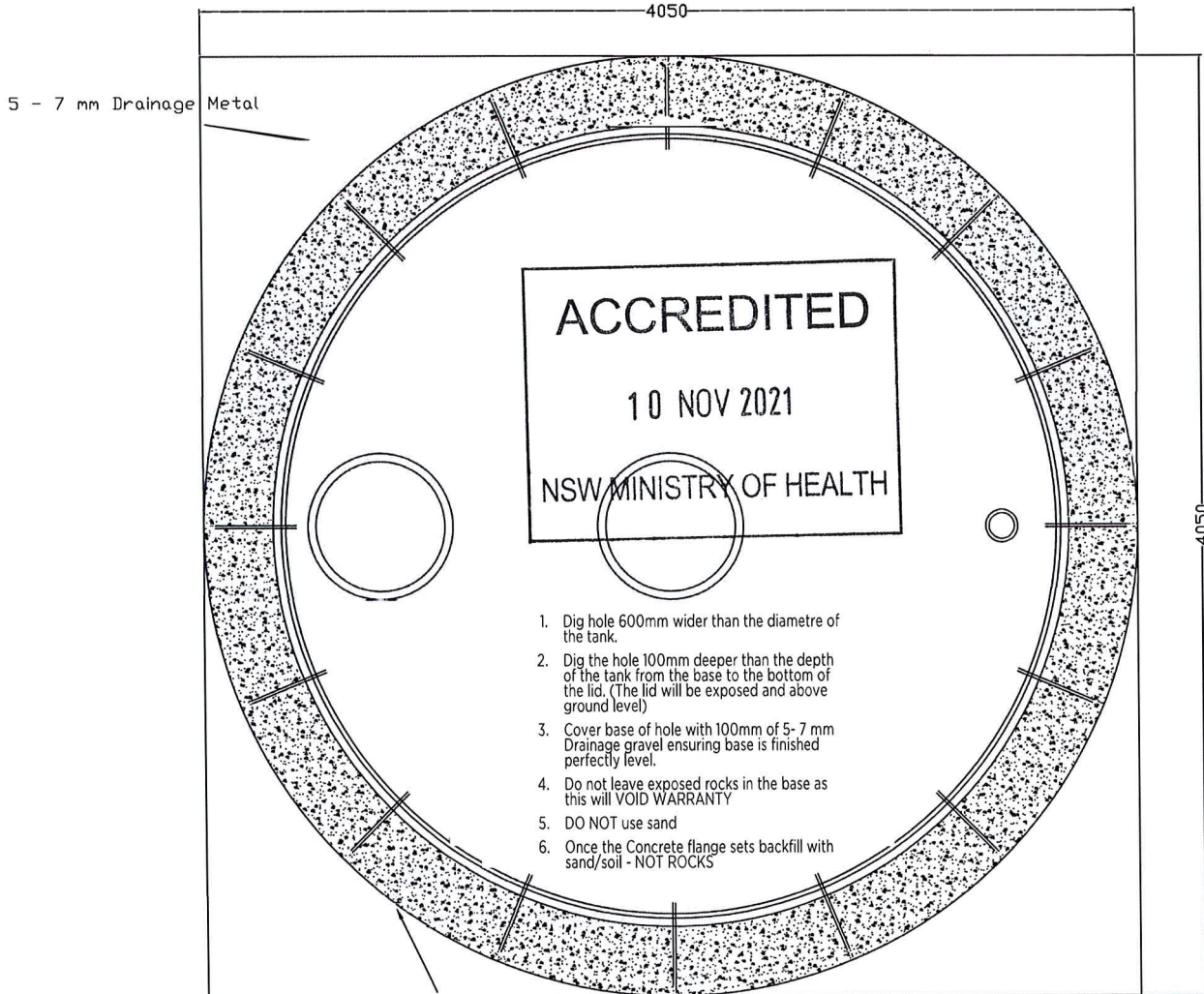
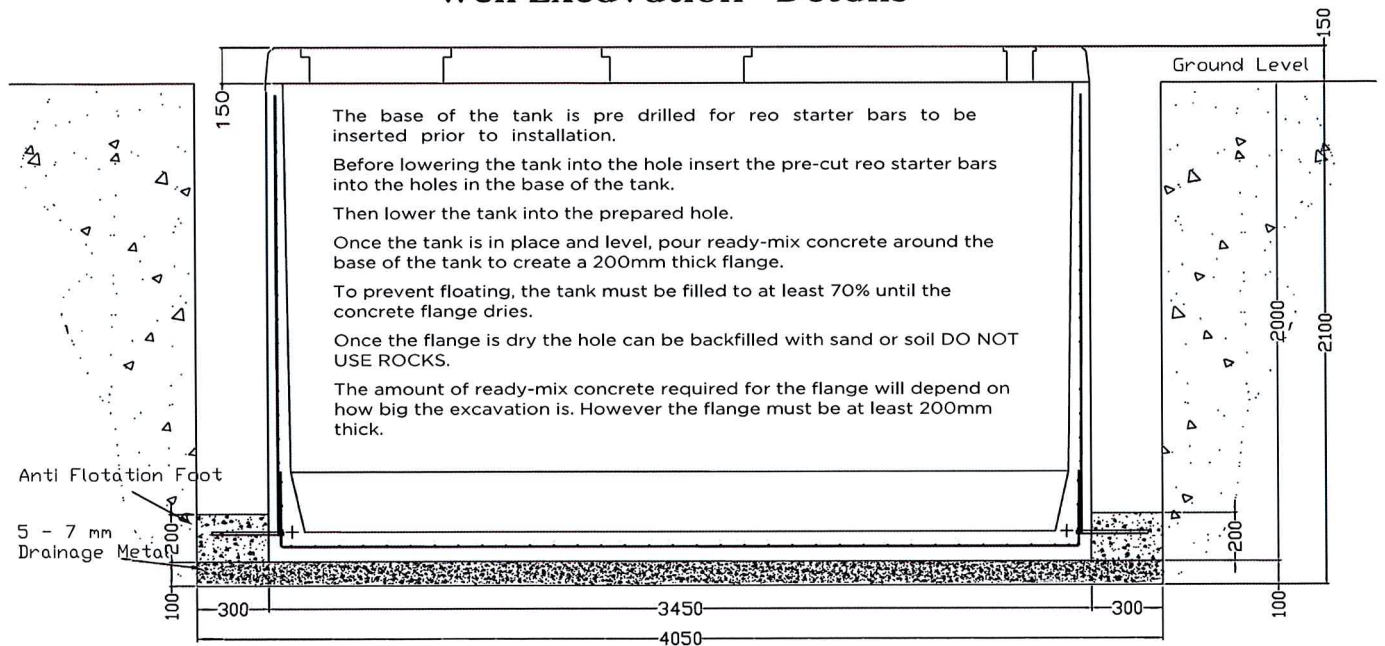
DESIGNED:	DATE:	STATUS:	DESIGN:	FILE:
DRAWN:	07/11/2018	SCALE:	ETS	
CHECKED:				
CAD FILE:				

This drawing is subject to Copyright and shall not be reproduced or copied in whole or part without the written permission of Taylex Industries Pty Ltd.

**Taylex 15,000 Litre Steel reinforced  
 Precast Concrete Collection Well Tank**  
 Total Capacity: 15,890 litres



# 15,000 Litre Collection well Excavation Details



Anti Flotation Foot  
Ready-mix concrete  
supplied by others  
and cast onsite by  
others



Taylex Australia Pty Ltd  
56 Prairie Rd, Ormeau QLD 4208  
ABN 43 646 051 989

Date:

This drawing is subject to Copyright and shall not be reproduced or copied in whole or part without the written permission of Taylex Australia Pty Ltd.

Title:  
Taylex 15,000 Litre  
Collection well Excavation  
details

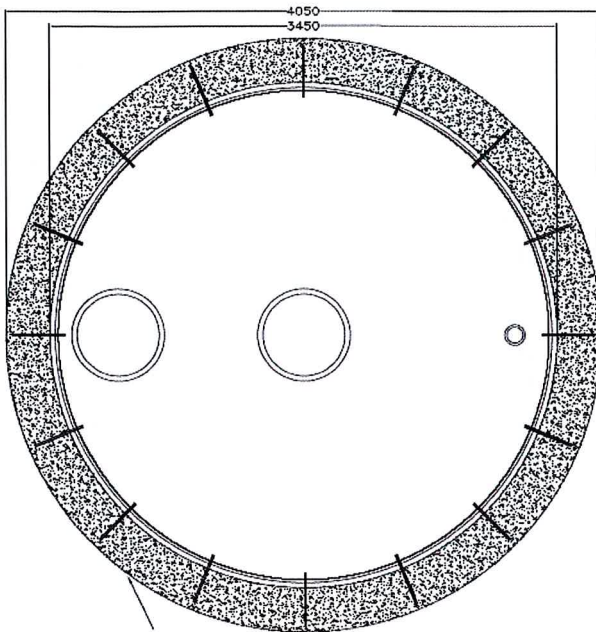


**Taylex**  
WASTEWATER

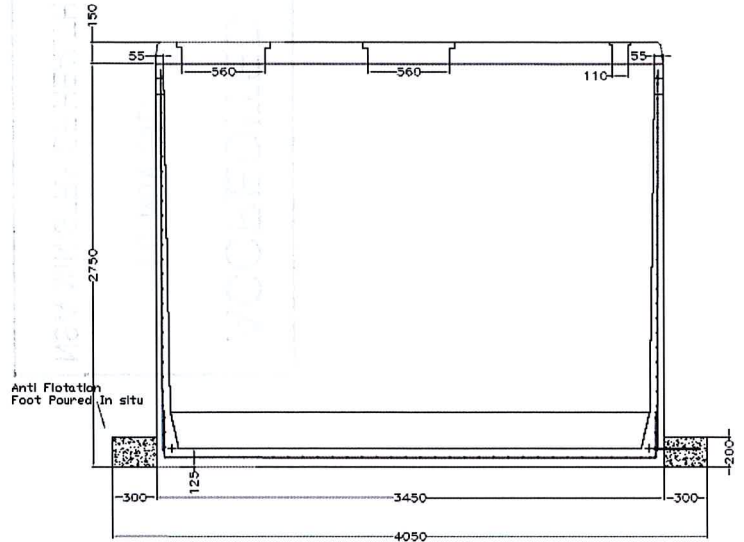
Taylex Australia Pty Ltd  
56 Prairie Road Ormeau  
Qld 4208  
Ph: 07 3441 5200  
www.taylex.com.au

## Product Information Sheet

Number: 040/1 - Collection Well – 22,000 Lt



Anti Flotation Foot  
Ready-mix concrete  
supplied by others  
and cast onsite by  
others



### Septic Tank Data

Model	22,000 Litre Pump Well
Weight	12,000 Kg
Total Capacity	22,450 Litres
Operating	Maximum 21,595 Litres
Load Rating	Non Trafficable
Lid Thickness	150mm / 100mm
Anti-flotation	Non

### Recommended Installation Notes

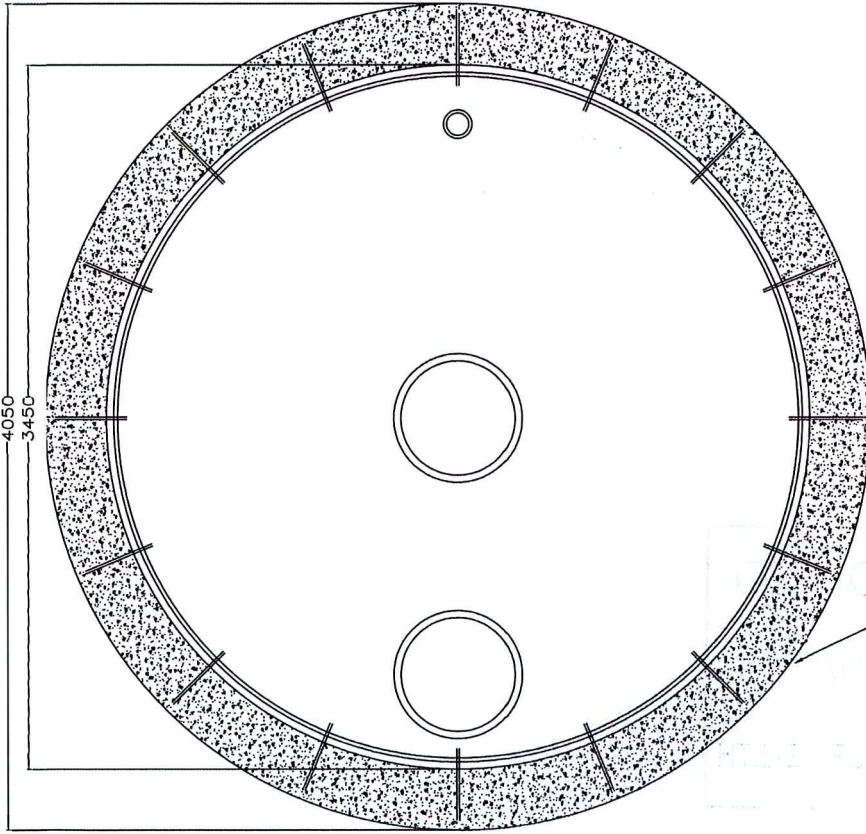
1. Connection in accordance with AS3500 and local government authority
2. All tanks have 100mm PVC DWV SOE couplers for connection to 100mm PVC sewer pipe. A flexible coupler is recommended
3. Lids are designed for pedestrian traffic only. Lids are not designed to carry any extra load from soil, fill or any type of vehicle traffic
4. All tanks are to be bedded on 100mm of 5 - 7mm drainage metal, Do Not use sand or metal dust
5. Backfill with excavated material as long as any rocks over 75mm are removed
6. During back filling it is recommended that tanks are filled with water to operating capacity. If ground water may become an issue then a concrete flange should be cast around the base of the tank to prevent floatation.
7. Tank lids or Risers are to be sealed with Sikaflex Pro
8. The tanks are manufactured to comply with Above Ground - AS 3735:2001, In Ground - AS/NZS1546.1:2008
9. Tank certification accredited by Global Certification Pty Ltd Number 040/1
10. A maximum of 150mm risers may be added to the access covers.

CONTACT YOUR LOCAL DISTRIBUTOR

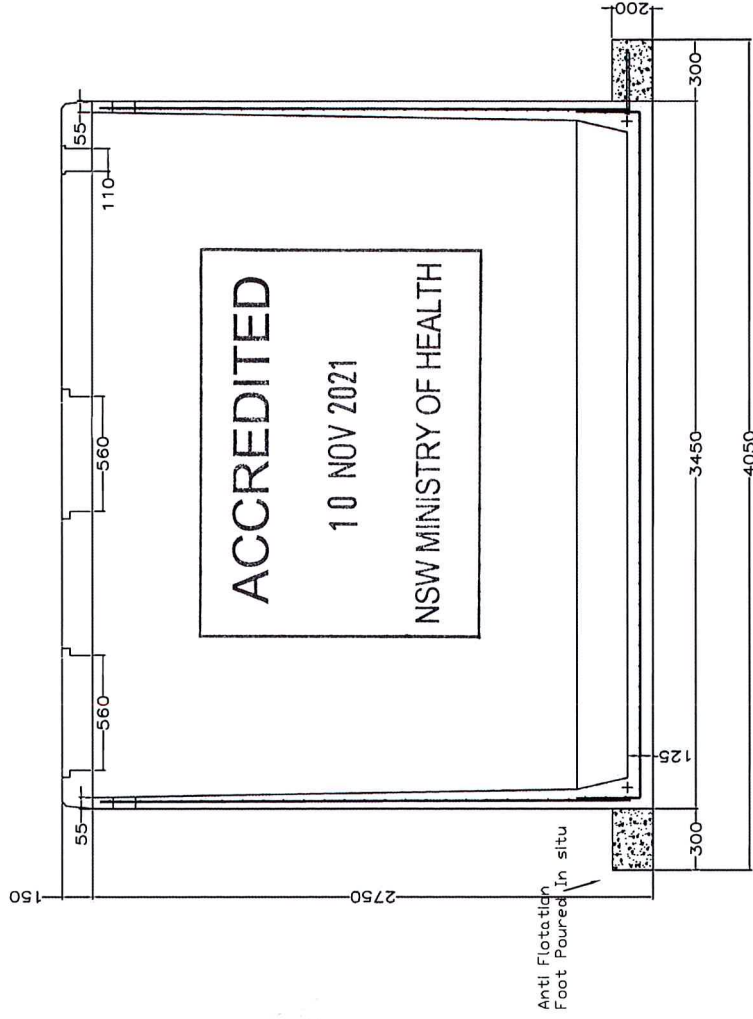
**ACCREDITED**

10 NOV 2021

NSW MINISTRY OF HEALTH



Anti Flotation Foot  
Ready-mix concrete  
supplied by others  
and cast onsite by  
others



Taylex Australia Pty Ltd  
56 Prairie Road Ormeau  
QLD 4208  
Ph: 07 3441 5200  
www.taylex.com.au

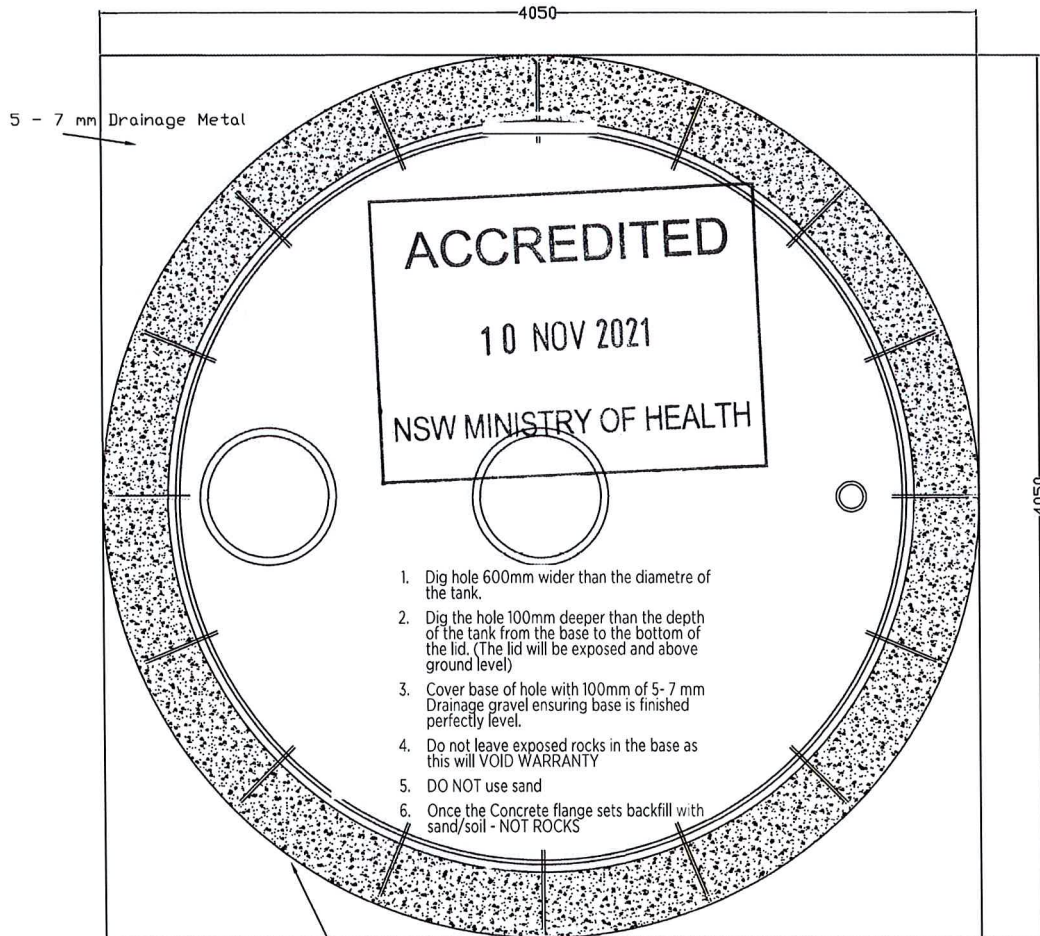
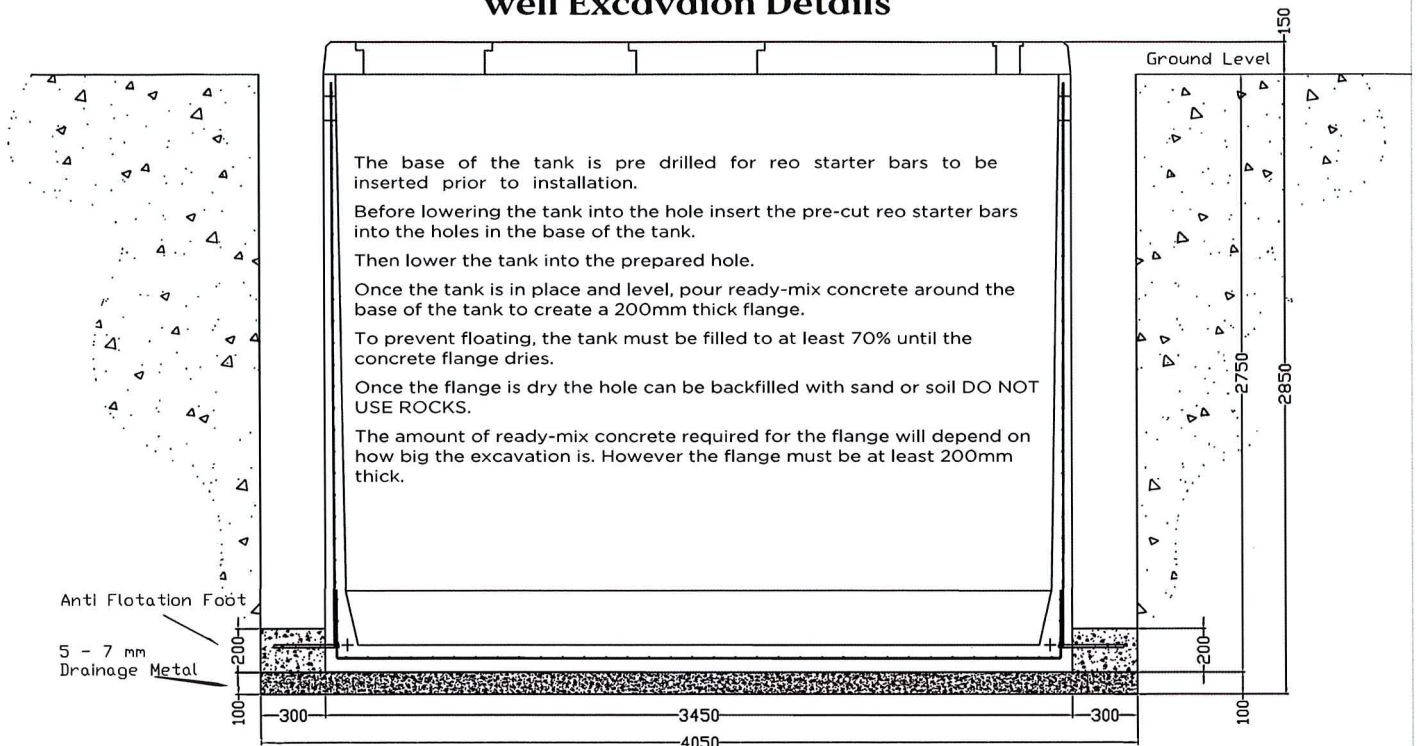


DESIGNED:	DATE:	STATUS:	DESIGN:	TITLE:
DRAWN:	07/11/2018	SCALE:	RTS	
CHECKED:				
CAD FILE:				

This drawing is subject to Copyright and shall not be reproduced or copied in whole or part without the written permission of Taylex Industries Pty. Ltd.

Taylex 22,000 Litre Steel reinforced  
Precast Concrete Collection Well Tank  
Total Capacity: 22,450 litres

## 22,000 Litre Collection well Excavaion Details



Anti Flotation Foot  
Ready-mix concrete  
supplied by others  
and cast onsite by  
others

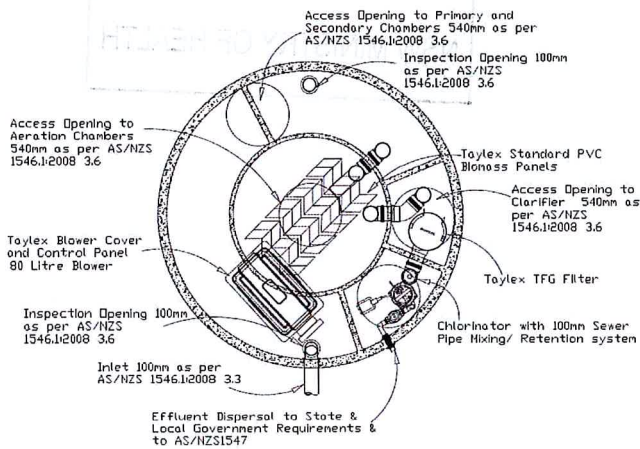
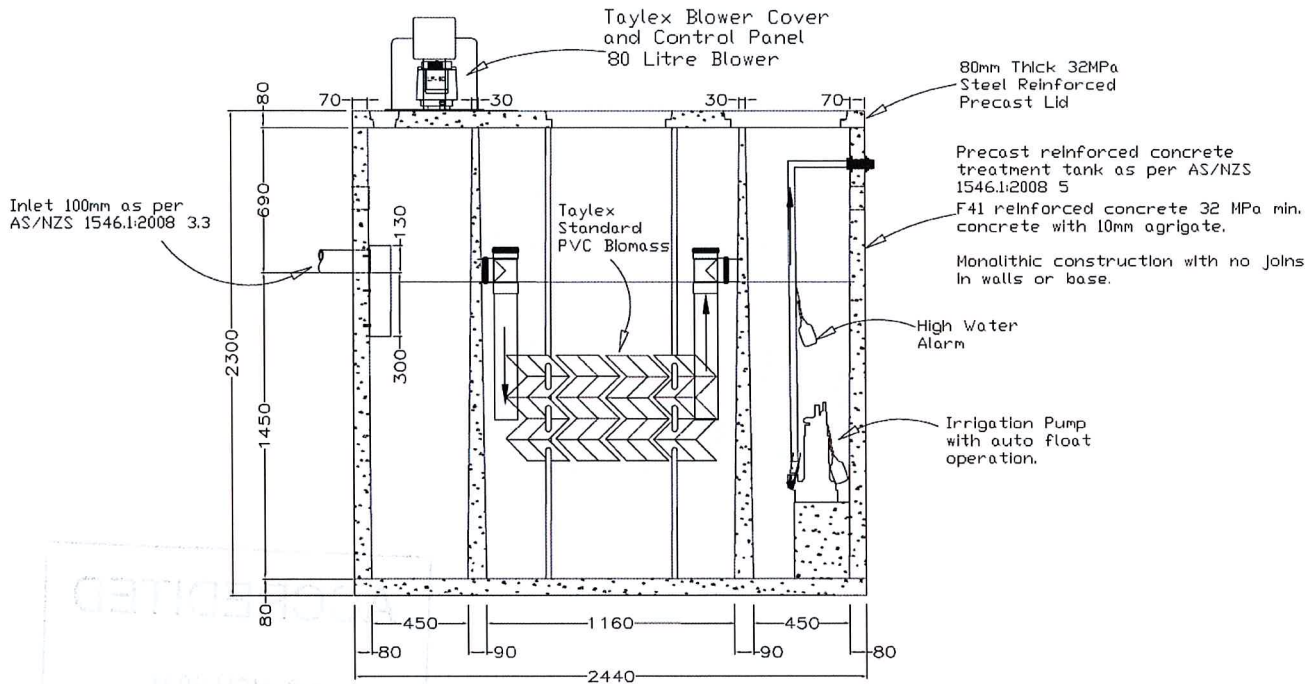


**Taylex**  
WASTEWATER

Taylex Australia Pty Ltd  
56 Prairie Road Ormeau  
Qld 4208  
Ph: 07 3441 5200  
www.taylex.com.au

## Product Information Sheet

Number: 040/1 - Collection Well - 9,320 Lt



### Recommended Installation Notes

1. Connection in accordance with AS3500 and local Government Authority
2. All tanks have 100mm PVC DWV SOE couplers for connection to 100mm PVC sewer pipe. A flexible coupler is recommended
3. Lids are designed for pedestrian traffic only. Lids are not designed to carry any extra load from soil, fill or any type of vehicle traffic.
4. All tanks to be bedded on 100mm of 5 - 7mm drainage metal, DO NOT use sand or metal-dust
5. Backfill with excavated material as long as any rocks over 74mm are removed
6. During back filling its is recommended that tanks ae filled with water to operating capacity. If ground water may become an issue then a concrete flange should be cast around the base of the tank to prevent flotation.
7. Tank lids or risers are to be sealed with Sikaflex Pro
8. The tanks are manufactured to comply with Above Ground - AS 3735:2001, In Ground AS/NIS1546.1:2008
9. Tank certification accredited by Global Certification Pty Ltd Number 040/1
10. A maximum of 150m risers may be added to the access covers

### Septic Tank Data

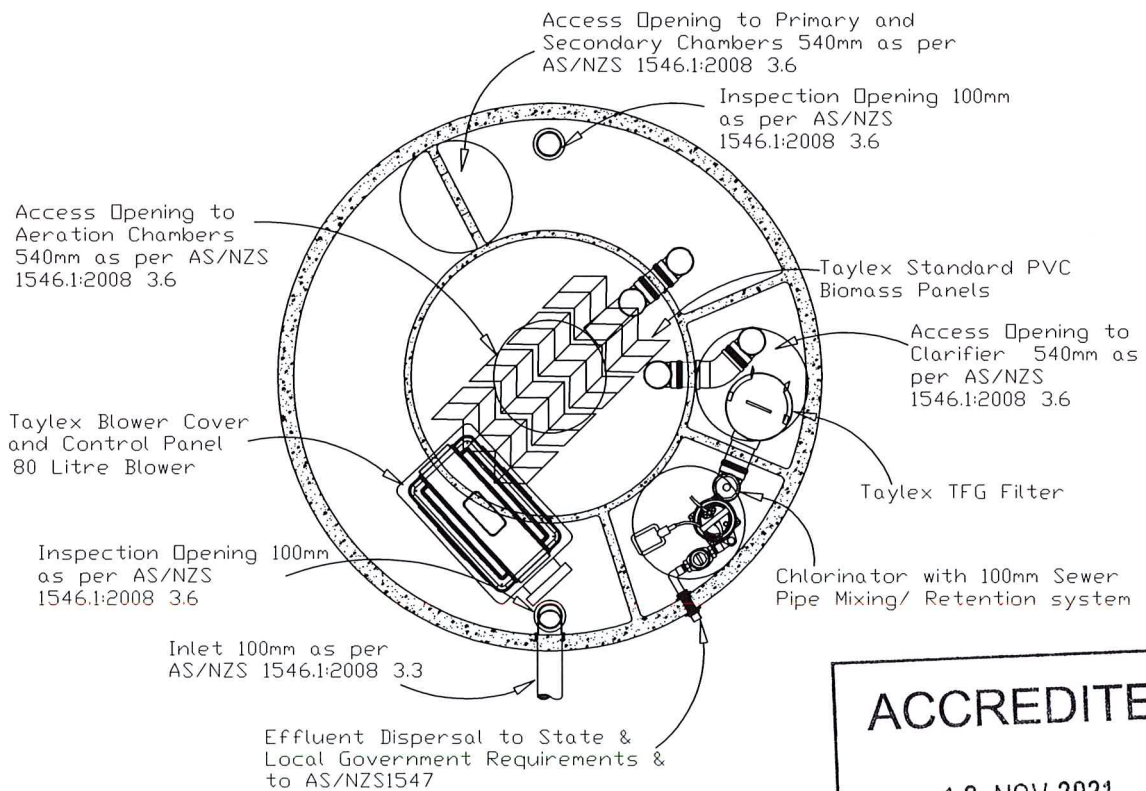
Model	ABS
Weight	6,250 Kg
Total Capacity	9,320 Litres
Operating	5,880 Litres
Load Rating	Non Trafficable
Lid Thickness	80mm
Anti-flotation	Non

CONTACT YOUR LOCAL DISTRIBUTOR

**ACCREDITED**

10 NOV 2021

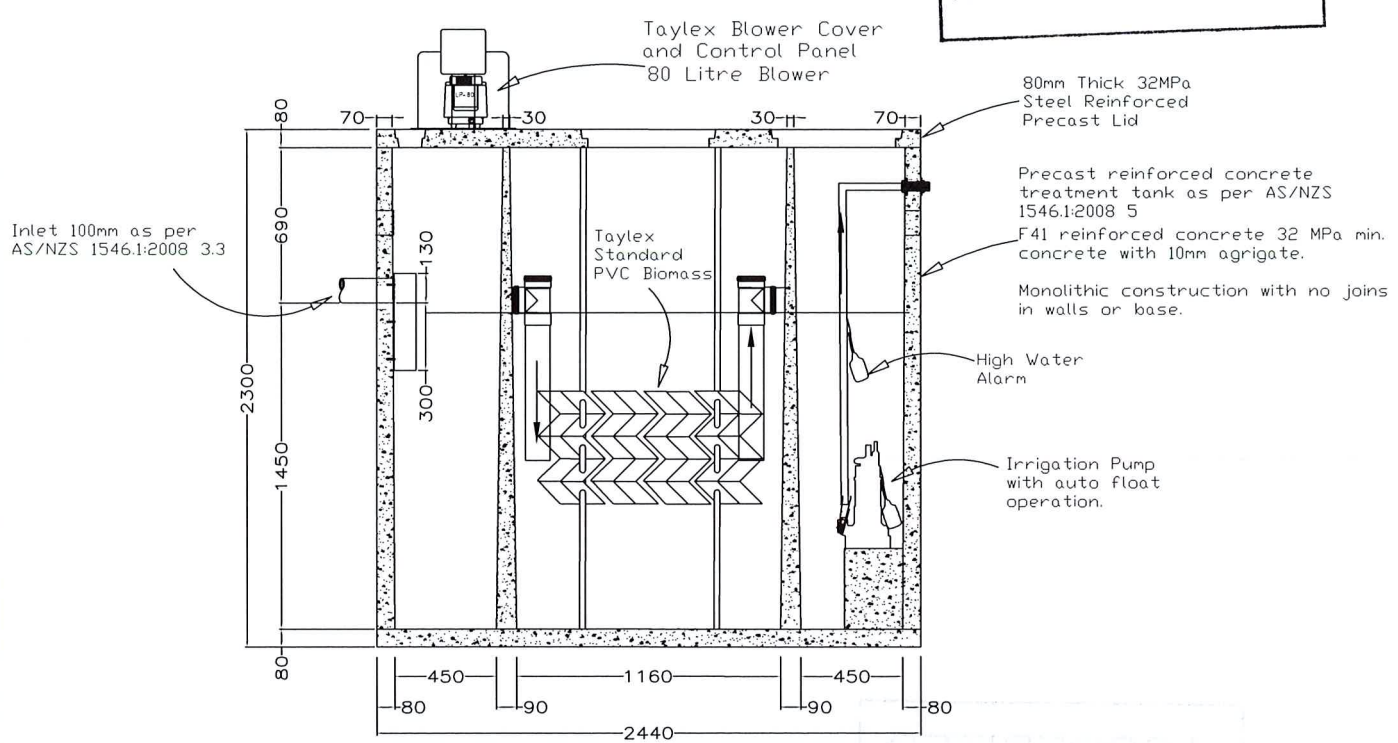
NSW MINISTRY OF HEALTH



**ACCREDITED**

10 NOV 2021

NSW MINISTRY OF HEALTH



Taylex Australia Pty Ltd  
 56 Prairie Road Ormeau  
 QLD 4208  
 Ph: 07 3441 5200  
 www.taylex.com.au

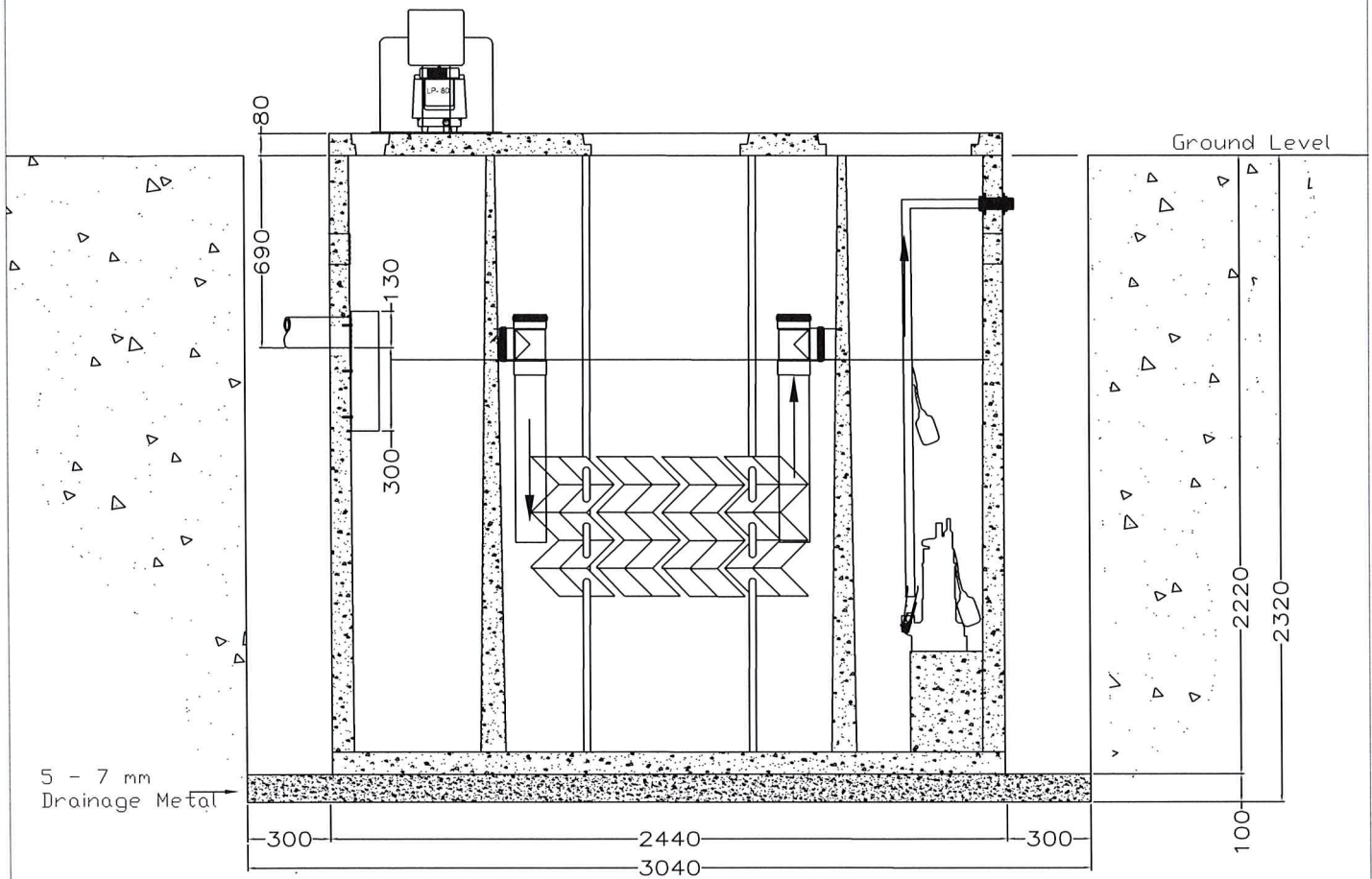
DATE:

This drawing is subject to Copyright and shall not be reproduced or copied in whole or part without the written permission of Taylex Industries Pty Ltd. ©Copyright.

TITLE: Taylex ABS

Home Sewage Treatment System

## Taylex Advanced Plower System (ABS) Excavation Details



1. Dig Hole 600mm wider than the diameter of the tank.
2. Dig the hole 100mm deeper than the depth of the tank from the base to the bottom of the lid. (the lid will be exposed and above ground level)
3. Cover base of hole with 100mm of 5 - 7mm Drainage Gravel ensuring base is finished perfectly level.
4. DO NOT leave exposed rocks in the base as this will Void Warranty.
5. DO NOT use sand.
6. Backfill with sand/soil - NOT ROCKS
7. To prevent flotation, fill tank to operating level. Failure to fill tank may cause the tank to float

**ACCREDITED**

10 NOV 2021

NSW MINISTRY OF HEALTH



Taylex Australia Pty Ltd  
56 Prairie Road Ormeau  
QLD 4208  
Ph: 07 3441 5200  
www.taylex.com.au

DATE:

This drawing is subject to Copyright and shall not be reproduced or copied in whole or part without the written permission of Taylex Industries Pty Ltd. ©Copyright.

TITLE:

Taylex ABS

Excavation Details



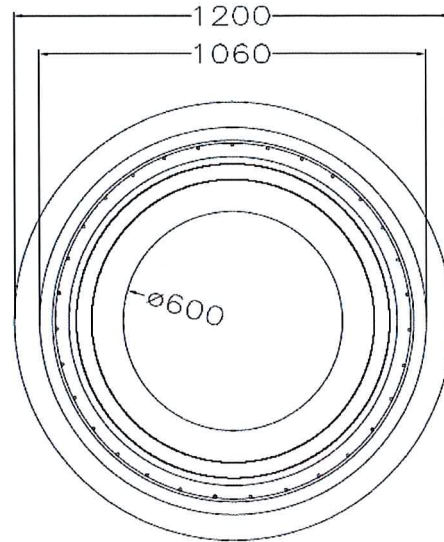
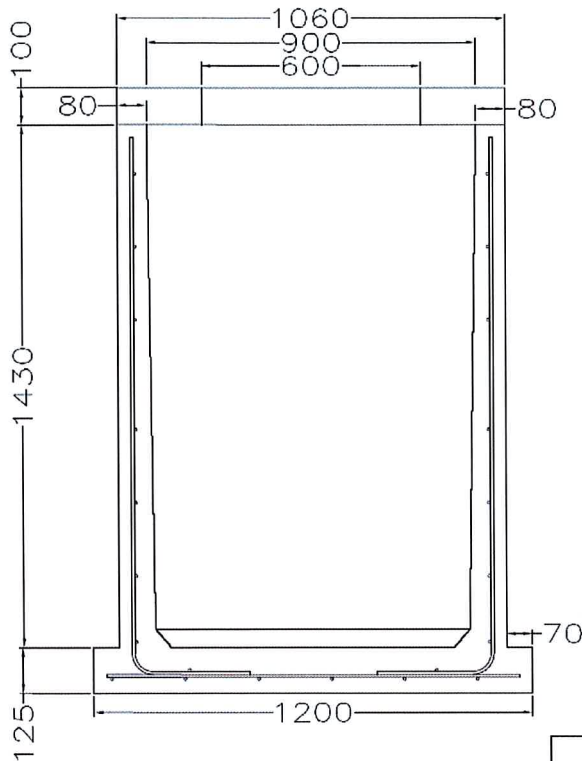
# Taylex

## WASTEWATER

Taylex Australia Pty Ltd  
56 Prairie Road Ormeau  
Qld 4208  
Ph: 07 3441 5200  
www.taylex.com.au

## Product Information Sheet

Number: 040/1 - Collection Well – 800 Lt



### Collection Well Data

Model	800 Litre Pump Well
Weight	1,100 kg
Total Capacity	869 Litres
Operating Capacity	Maximum 808 Litres
Load Rating	Non Trafficable
Lid Thickness	80mm
Anti-flotation	Factory fitted with flange base

### Recommended Installation Notes

1. Connection in accordance with AS3500 and local government authority
2. All tanks have 100mm PVC DWV SOE couplers for connection to 100mm PVC sewer pipe. A flexible coupler is recommended
3. Lids are designed for pedestrian traffic only. Lids are not designed to carry any extra load from soil, fill or any type of vehicle traffic
4. All tanks are to be bedded on 100mm of 5 - 7mm drainage metal, Do Not use sand or metal dust
5. Backfill with excavated material as long as any rocks over 75mm are removed
6. During back filling it is recommended that tanks are filled with water to operating capacity. If ground water may become an issue then a concrete flange should be cast around the base of the tank to prevent floatation.
7. Tank lids or Risers are to be sealed with Sikaflex Pro
8. The tanks are manufactured to comply with Above Ground - AS 3735:2001, In Ground - AS/NZS1546.1:2008
9. Tank certification accredited by Global Certification Pty Ltd Number 040/1
10. A maximum of 150mm risers may be added to the access covers.

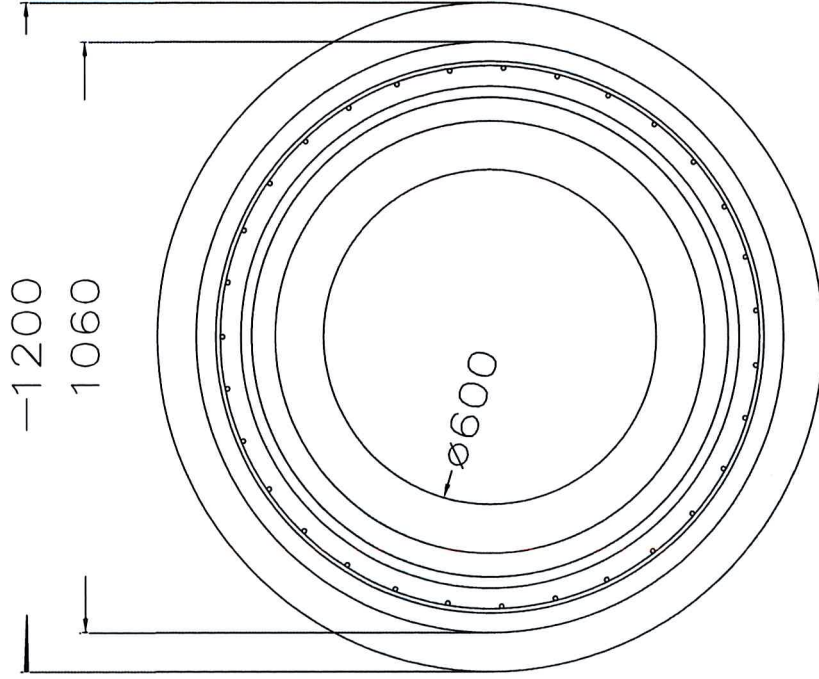
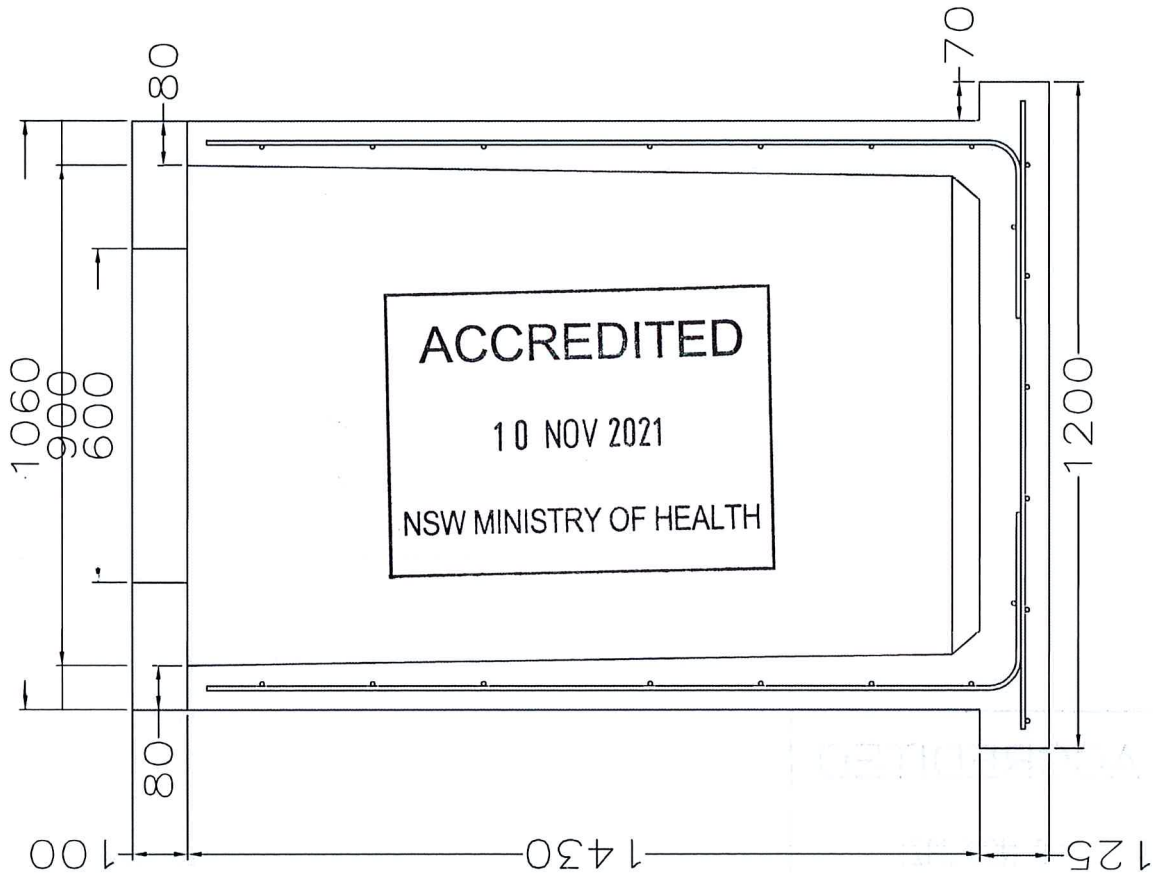
CONTACT YOUR LOCAL DISTRIBUTOR

## ACCREDITED

10 NOV 2021

NSW MINISTRY OF HEALTH





Taylex Australia Pty Ltd  
 56 Prairie Road Ormeau  
 QLD 4208  
 Ph: 07 3441 5200  
 www.taylex.com.au

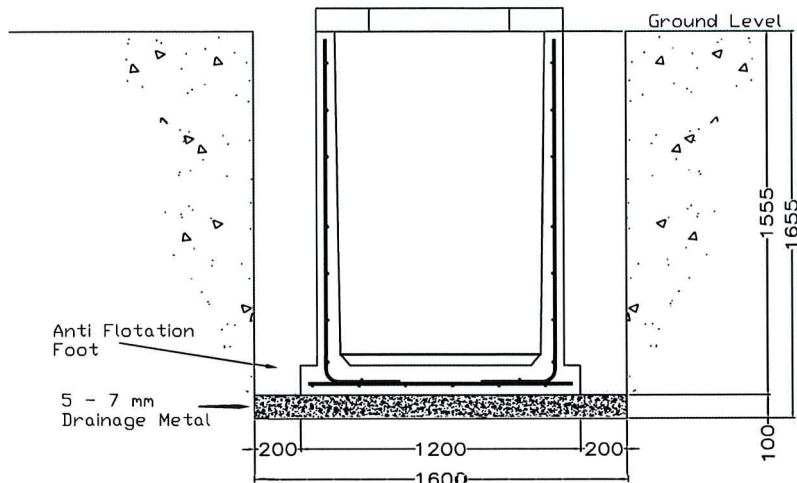


DESIGNED:	07/11/2018	SHEET NO:	DESIGN:
DRAWN:	07/11/2018	SCALE:	MS
CHECKED:			
DATE FILED:			

This drawing is subject to Copyright and shall not be reproduced or copied in whole or part without the written permission of Taylex Industries Pty. Ltd.

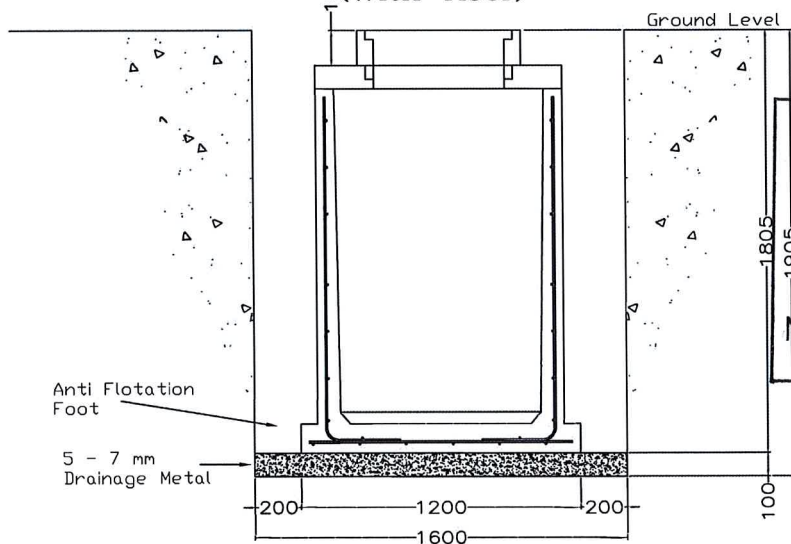
Taylex 800 Litre Steel reinforced  
 Precast Concrete Collection Well Tank  
 Total Capacity: 869 litres

## 800 Litre Collection well Excavation Details



1. Dig hole 400mm wider than the diameter of the Foot on the tank.
2. Dig the hole 100mm deeper than the depth of the tank from the base to the bottom of the lid. (the lid will be exposed and above ground level)
3. Cover base of hole with 100mm of 5 - 7mm Drainage Gravel ensuring base is finished perfectly level.
4. Do not leave exposed rocks in the base as this will Void Warranty
5. DO NOT use sand
6. Back fill with sand/soil - NOT ROCKS
7. To prevent flotation ensure, the back fill is compacted properly, if unsure fill tank to at least 70% and allow the backfill to settle before emptying that tank.

## 800 Litre Collection well Excavation Details (with riser)



ACCREDITED

10 NOV 2021

NSW MINISTRY OF HEALTH

1. Dig hole 400mm wider than the diameter of the foot on the tank.
2. For tanks with 150mm risers dig the hole 100mm deeper than the total height of the tank and riser allowing 100mm for bedding.
3. Cover base of hole with 100mm of 5 - 7mm Drainage Gravel ensuring base is finished perfectly level.
4. Do not leave exposed rocks in the base as this will Void Warranty.
5. DO NOT use sand
6. Backfill with sand/soil - NOT ROCKS
7. To prevent flotation, ensure the back fill is compacted properly, if unsure fill tank to at least 70% and allow backfill to settle before emptying the tank.