



Certificate of Accreditation

Sewage Management Facility


Septic Tanks & Collection Wells

This Certificate of Accreditation is issued by the Secretary of the NSW Ministry of Health pursuant to Clause 41(1) of the Local Government (General) Regulation 2005.

Manufacturer: *Taylex Australia Pty Ltd*

Of: *56 Prairie Rd, Ormeau, QLD, 4208*

The ABS Poly Collection Well as described in the following Schedule has been accredited as sewage management facilities for use in single domestic premises in NSW.



*A/Director, Environmental Health
for Secretary (delegation PH335)*

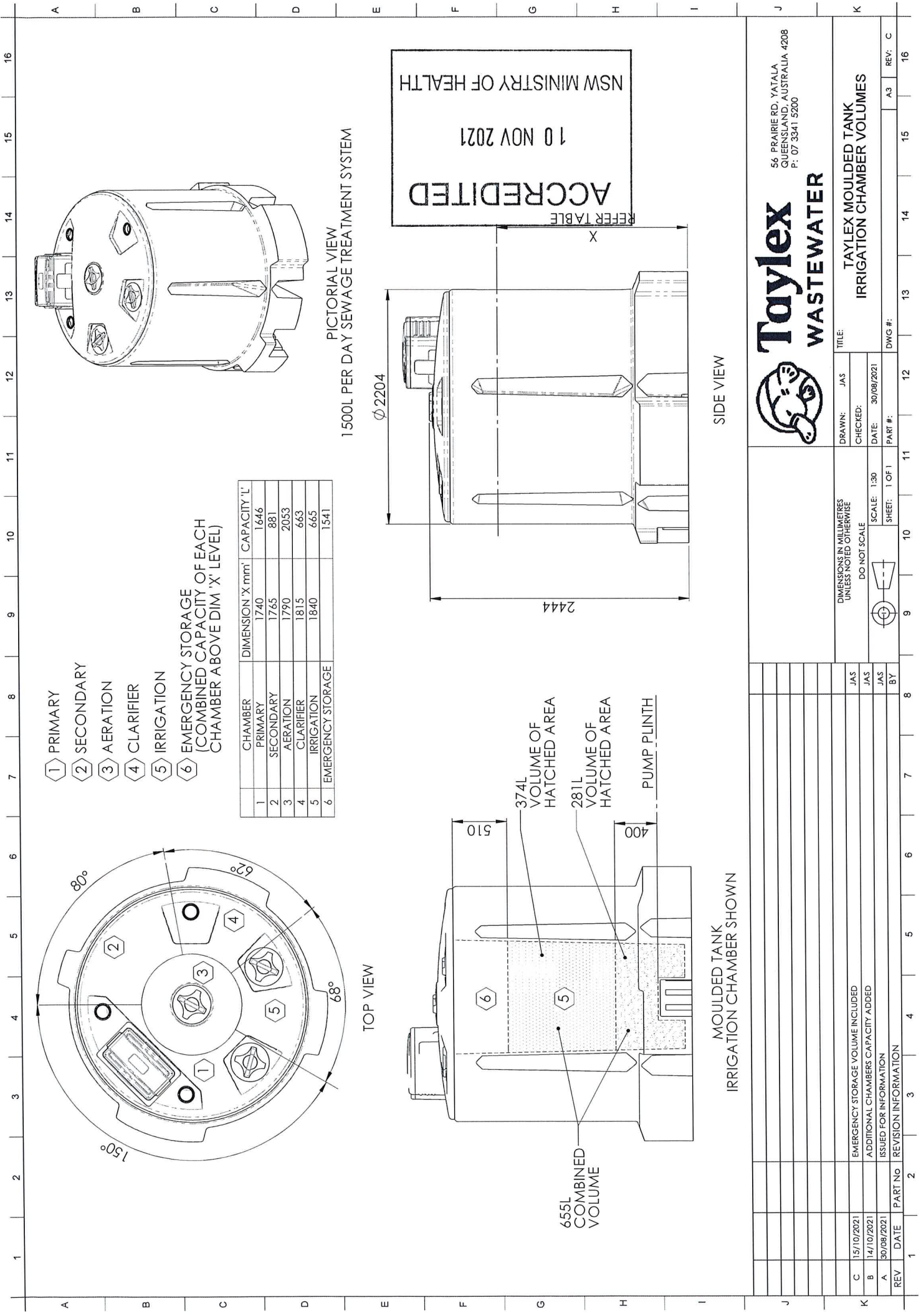
Issued: *10 / 11 / 2021*
Certificate No: *STCW032*
Expires: *31 December 2025*



Accreditation Schedule

*The Certificate of Accreditation applies to the following
Collection Well*

Model	Description	Working Capacity
Collection Well	<p>Vertical axis type tapered cylindrical polyethylene tank. The walls of the tank are manufactured using a composite foam core construction made up of a 24 mm thick foam core with an inner and outer skin of Linear Low Density Polyethylene (LLDPE) 4 mm thick giving a total wall thickness of 32 mm.</p> <p>Certification applies to the construction of the tank, lid, access and inspection covers.</p> <p>The burial depth of the tank lid is restricted to 0 mm</p>	6,066 L



- ① PRIMARY
- ② SECONDARY
- ③ AERATION
- ④ CLARIFIER
- ⑤ IRRIGATION
- ⑥ EMERGENCY STORAGE (COMBINED CAPACITY OF EACH CHAMBER ABOVE DIM 'X' LEVEL)

	CHAMBER	DIMENSION 'X' mm	CAPACITY 'L'
1	PRIMARY	1740	1646
2	SECONDARY	1765	881
3	AERATION	1790	2053
4	CLARIFIER	1815	663
5	IRRIGATION	1840	665
6	EMERGENCY STORAGE		1541

ACCREDITED
 10 NOV 2021
 NSW MINISTRY OF HEALTH
 REFER TABLE

Taylex WASTEWATER

56 PRAIRIE RD, YATALA QUEENSLAND, AUSTRALIA 4208
P: 07 3341 5200

TAYLEX MOULDED TANK IRRIGATION CHAMBER VOLUMES	
TITLE:	JAS
DRAWN:	JAS
CHECKED:	30/08/2021
DATE:	30/08/2021
PART #:	
DWG #:	

DIMENSIONS IN MILLIMETRES UNLESS NOTED OTHERWISE DO NOT SCALE
 SCALE: 1:30
 SHEET: 1 OF 1

REV	DATE	PART NO	REVISION INFORMATION
C	15/10/2021		EMERGENCY STORAGE VOLUME INCLUDED
B	14/10/2021		ADDITIONAL CHAMBERS CAPACITY ADDED
A	30/08/2021		ISSUED FOR INFORMATION