



# Certificate of Accreditation

## Sewage Management Facility

### Septic Tanks and Collection Wells

*This Certificate of Accreditation is issued by the Secretary of the NSW Ministry of Health pursuant to Section 41(1) of the Local Government (General) Regulation 2021.*

*Manufacturer: Everhard Industries Pty Ltd*

*Of: 454 Newman Road, Geebung, QLD, 4034*

*The Everhard Industries **Concrete** Septic Tanks and Collection Wells as described in the following Schedule have been accredited as sewage management facilities for use in single domestic premises in NSW.*

*P. Bylerfeld*

*Director, Environmental Health  
for Secretary (delegation PH335)*

*Issued: 29 / Aug / 2023*

*Certificate No: STCW033*

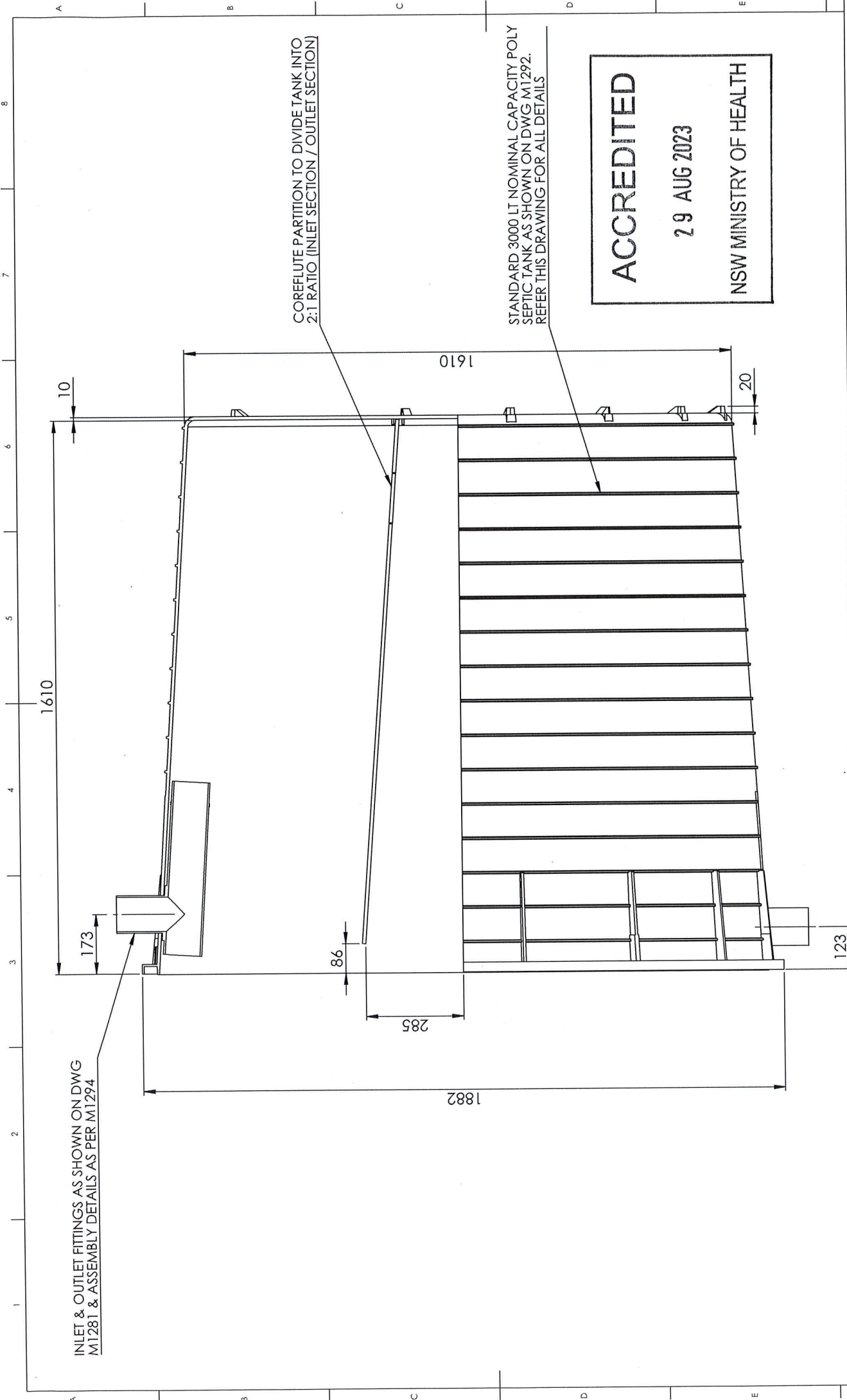
*Expires: 31 December 2027*



## ***Accreditation Schedule***

*The Certificate of Accreditation applies to the following  
Concrete Septic Tanks and Collection Wells*

<b>Model</b>	<b>Description</b>	<b>Size</b>
Septic Tank	<p>Vertical axis cylindrical tapered precast concrete with steel reinforcing mesh.</p> <p>Tank is fitted with a partition and inlet and outlet fittings. Concrete lid for each tank is available with options of precast concrete or injection moulded polymer access and inspection covers.</p> <p>Burial depth of the tank lid is restricted to 0 mm</p>	<p>3000 L</p> <p>3900 L</p> <p>4000 L</p>
Collection well	<p>Vertical axis cylindrical tapered precast concrete with steel reinforcing mesh.</p> <p>Certification applies only to the construction of the tank, inlet fitting and lid. It does not include the internal fittings or partitions.</p> <p>Concrete lid for each tank is available with options of precast concrete or injection moulded polymer access and inspection covers.</p> <p>Burial depth of the tank lid is restricted to 0 mm</p>	<p>3000 L</p> <p>3900 L</p> <p>6000 L</p>



INLET & OUTLET FITTINGS AS SHOWN ON DWG M1281 & ASSEMBLY DETAILS AS PER M1294

COREFLUTE PARTITION TO DIVIDE TANK INTO 2:1 RATIO (INLET SECTION / OUTLET SECTION)

STANDARD 3000 LT NOMINAL CAPACITY POLY SEPTIC TANK AS SHOWN ON DWG M1292. REFER THIS DRAWING FOR ALL DETAILS

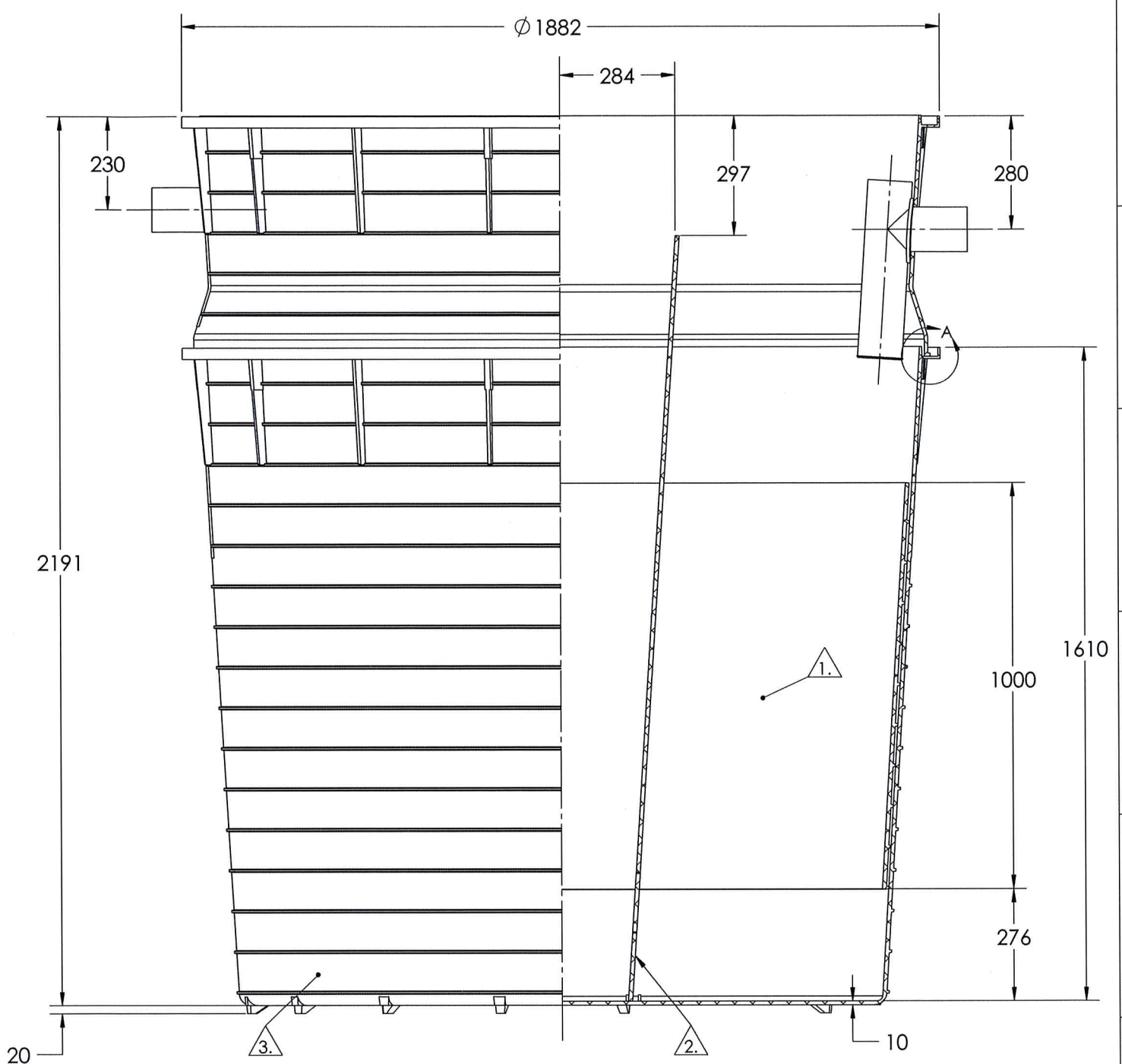
**ACCREDITED**  
29 AUG 2023  
NSW MINISTRY OF HEALTH

EVERHARD INDUSTRIES PTY LTD ACCEPTS NO LIABILITY OR RESPONSIBILITY FOR ANY DAMAGE OR INJURY CAUSED OR ALLEGED TO BE CAUSED, DIRECTLY OR INDIRECTLY, BY THE USE OF THIS DRAWING OR THE PRODUCT THEREFROM. THE CUSTOMER PURCHASING THE PRODUCT SHALL BE RESPONSIBLE FOR THE CORRECT SCALE, WHETHER USING A DRAWING OR THE PRODUCT. THE DRAWING MUST NOT BE ASSUMED TO BE AN ACCURATE REPRESENTATION OF THE ACTUAL PRODUCT. THE CUSTOMER PURCHASING THE PRODUCT SHALL BE RESPONSIBLE FOR THE CORRECT SCALE, WHETHER USING A DRAWING OR THE PRODUCT.

**EVERHARD INDUSTRIES**  
405 NEWMAN ROAD  
GEEBUNG, QLD, 4034  
PH: (07) 3637 6444  
FAX: (07) 3265 2111

DO NOT SCALE DRAWING  
UNLESS OTHERWISE SPECIFIED:  
DIMENSIONS ARE IN MILLIMETERS  
XX=±  
XX.X=±  
XX.XX=±  
THIRD ANGLE PROJECTION  
DEBUR AND BREAK SHARP EDGES  
SURFACE FINISH:  
SIGNATURE: K. Stefferson  
DATE: 18/01/2019  
MATERIAL: Polypropylene  
ESTIMATED WEIGHT:

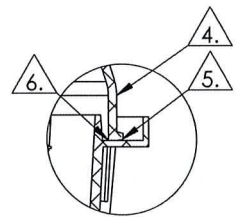
PROJECT:	3000 LT (NOMINAL) POLYMER SEPTIC TANK
TITLE:	3000 LT (NOMINAL) POLYMER SEPTIC TANK
DWG NO.:	P07454
REVISION:	0
SHEET 1 OF 1	SCALE: 1:10
PROJ CODE:	A3



SECTION VIEW

1. TANK REINFORCING SUPPLIED INSTALLED IN TANK AND PRESSED DOWN INTO POSITION SO THAT BOTTOM EDGE OF RING IS APPROX. 275mm ABOVE THE FLOOR LEVEL
2. CORFLUTE PARTITION TO DIVIDE TANK INTO 2:1 RATIO (INLET SECTION/OUTLET SECTION)
3. STANDARD 3000L NOMINAL CAPACITY POLY SEPTIC TANK AS SHOWN ON DWG P-TNK87010. REFER TO DRAWING FOR ALL DETAILS
4. TANK EXTENSION BELLED TO CORRECT DIAMETER USING HEAT BATH AND MANDREL
5. HOT AIR WELD TO SEAL JOINT
6. REAR OF JOINT SEALED BY HOT AIR WELDING

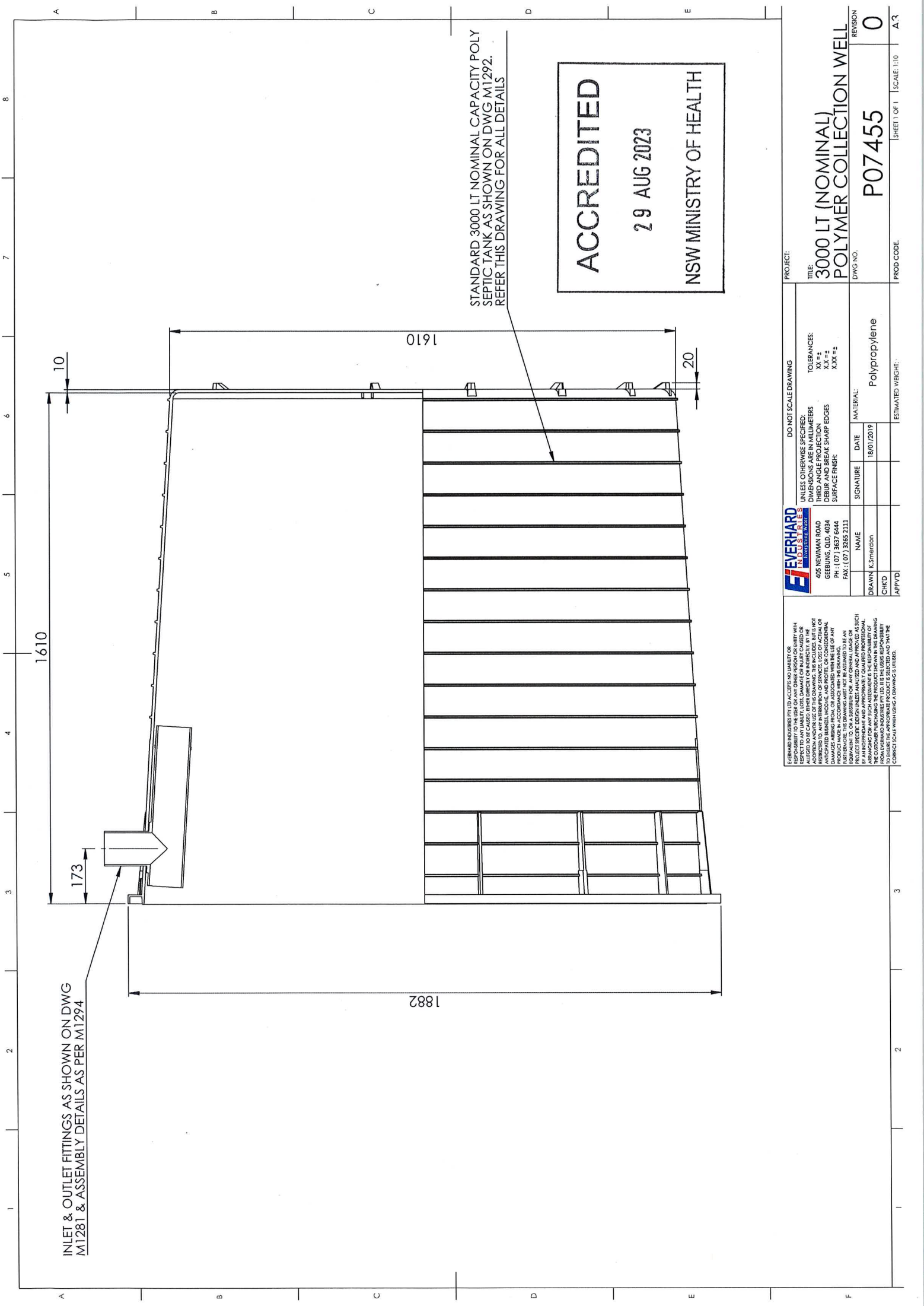
**ACCREDITED**  
29 AUG 2023  
NSW MINISTRY OF HEALTH



DETAIL A  
SCALE 1 : 5

ZONE	REV.	DESCRIPTION	DATE	APPROVED
-	001	INITIAL RELEASE	XX JAN 22	RMS

<small>EVERHARD INDUSTRIES PTY LTD ACCEPTS NO LIABILITY OR RESPONSIBILITY TO THE USER OR ANY OTHER PERSON OR ENTITY WITH RESPECT TO ANY LIABILITY, LOSS, DAMAGE OR INJURY CAUSED OR ALLEGED TO BE CAUSED, EITHER DIRECTLY OR INDIRECTLY, BY THE ADDITIONAL AND/OR USE OF THIS DRAWING. THIS INCLUDES BUT IS NOT RESTRICTED TO, ANY INTERRUPTION OF SERVICES, LOSS OF ACTUAL OR ANTICIPATED BUSINESS, REVENUE, AND PROFITS, OR CONSEQUENTIAL DAMAGES ARISING FROM, OR ASSOCIATED WITH THE USE OF ANY PRODUCT MADE IN ACCORDANCE WITH THIS DRAWING. FURTHERMORE, THIS DRAWING MUST NOT BE ASSUMED TO BE AN EQUIVALENT TO, OR A SUBSTITUTE FOR, ANY GENERAL USAGE OR PROJECT SPECIFIC DESIGN UNLESS ANALYSED AND APPROVED AS SUCH BY AN INDEPENDENT AND APPROPRIATELY QUALIFIED PROFESSIONAL ARRANGING FOR ANY RISK ASSESSMENT IS THE RESPONSIBILITY OF THE CUSTOMER PURCHASING THE PRODUCT SHOWN IN THIS DRAWING FROM EVERHARD INDUSTRIES PTY LTD. IT IS THE USER'S RESPONSIBILITY TO ENSURE THE APPROPRIATE PRODUCT IS SELECTED AND THAT THE CORRECT SCALE WHEN USING A DRAWING IS UTILIZED.</small>		<p>405 NEWMAN ROAD GEEBUNG, QLD, 4034 PH : (07) 3637 6444 FAX : (07) 3265 2111</p>		<p>DO NOT SCALE DRAWING</p> <p>UNLESS OTHERWISE SPECIFIED: DIMENSIONS ARE IN MILLIMETRES THIRD ANGLE PROJECTION DEBUR AND BREAK SHARP EDGES SURFACE FINISH: NA</p> <p>TOLERANCES: XX ±2 XX.X ±0.2 X.XX ±0.02</p>		<p>PROJECT: POLY SEPTIC TANKS</p> <p>TITLE: 4000L POLY SEPTIC TANK</p>	
DESCRIPTION	NAME	SIGNATURE	DATE	MATERIAL:	DWG NO.	REVISION	
DRAWN	K.PETTY	KDP	03FEB23	Material <not specified>	P-TNK87211	100	
CHECKER				ESTIMATED WEIGHT:	PRODUCT CODE:	SHEET 1 OF 1	
APPROVAL				194.45 kg	87211	A3	
						SCALE: 1:10	

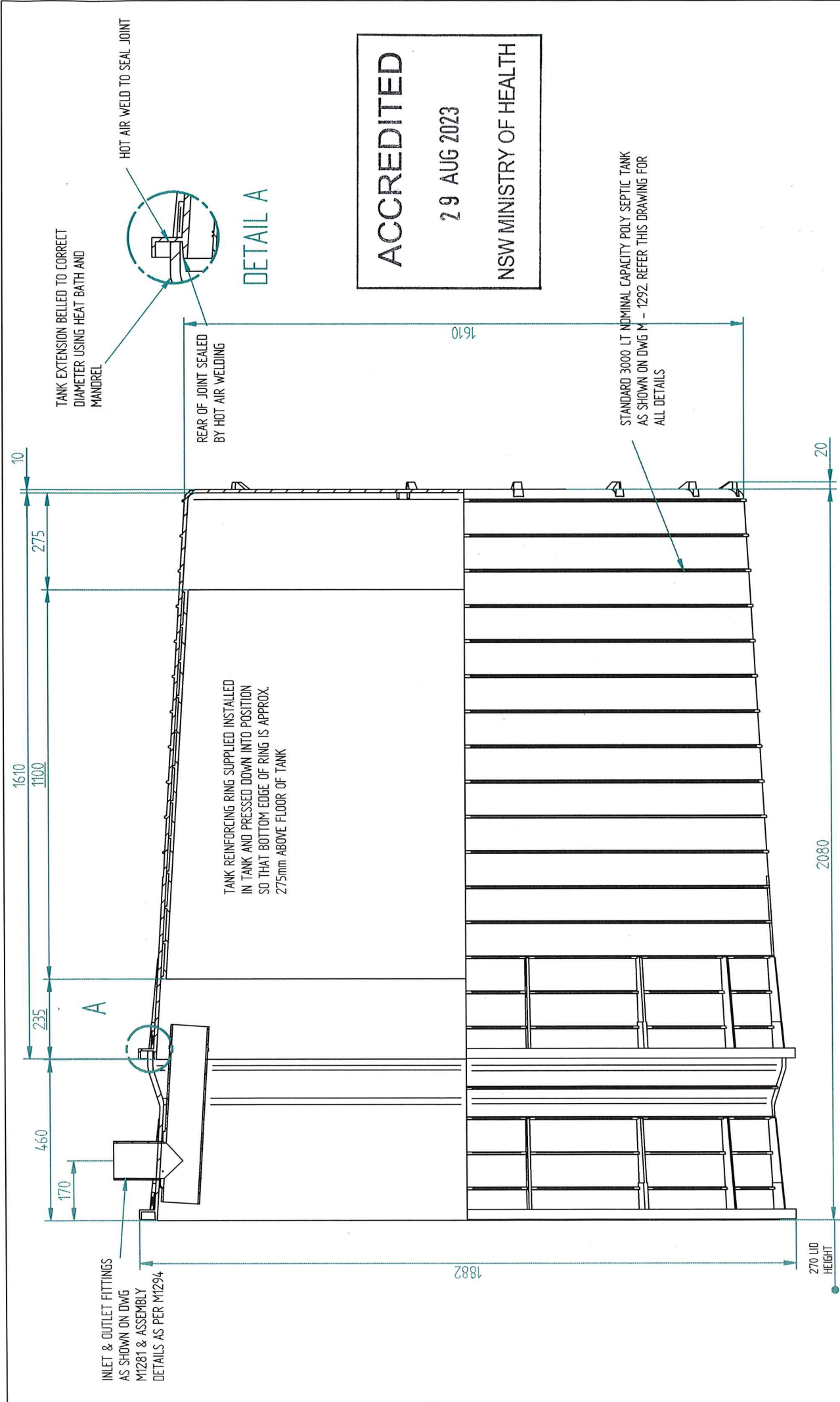


INLET & OUTLET FITTINGS AS SHOWN ON DWG M1281 & ASSEMBLY DETAILS AS PER M1294

STANDARD 3000 LT NOMINAL CAPACITY POLY SEPTIC TANK AS SHOWN ON DWG M1292. REFER THIS DRAWING FOR ALL DETAILS

**ACCREDITED**  
29 AUG 2023  
NSW MINISTRY OF HEALTH

<p><b>EVERHARD INDUSTRIES PTY LTD</b> 405 NEWMAN ROAD GEEBUNG, QLD 4034 PH: (07) 3837 6444 FAX: (07) 3265 2113</p>		<p>DO NOT SCALE DRAWING</p>	<p>PROJECT: <b>3000 LT (NOMINAL) POLYMER COLLECTION WELL</b></p>
<p>UNLESS OTHERWISE SPECIFIED DRAWING DIMENSIONS TO BE TO THIRD ANGLE PROJECTION DEBUR AND BREAK SHARP EDGES SURFACE FINISH:</p>	<p>TOLERANCES: XX ± XX ± XX ±</p>	<p>MATERIAL: Polypropylene</p>	<p>REVISION <b>0</b></p>
<p>EVERHARD INDUSTRIES PTY LTD ACCEPTS NO LIABILITY OR RESPONSIBILITY TO THE USER OR ANY OTHER PERSON OR ENTITY WITH RESPECT TO THE USE OF THIS DRAWING. THE USER SHALL BE SOLELY RESPONSIBLE FOR THE PROPER USE OF THIS DRAWING. THE USER SHALL BE SOLELY RESPONSIBLE FOR THE PROPER USE OF THIS DRAWING. THE USER SHALL BE SOLELY RESPONSIBLE FOR THE PROPER USE OF THIS DRAWING.</p>	<p>NAME: K.S. Merdion SIGNATURE: [Signature] DATE: 19/07/2019</p>	<p>ESTIMATED WEIGHT: A 2</p>	<p>PROJ CODE: P07455</p>
<p>APPROVED: [Signature]</p>	<p>DRAWN: CHFD</p>	<p>DATE: 19/07/2019</p>	<p>SHEET 1 OF 1   SCALE: 1:10</p>



TANK EXTENSION BELLED TO CORRECT DIAMETER USING HEAT BATH AND MANDREL

HOT AIR WELD TO SEAL JOINT

DETAIL A

REAR OF JOINT SEALED BY HOT AIR WELDING

TANK REINFORCING RING SUPPLIED INSTALLED IN TANK AND PRESSED DOWN INTO POSITION SO THAT BOTTOM EDGE OF RING IS APPROX. 275mm ABOVE FLOOR OF TANK

**ACCREDITED**  
29 AUG 2023  
NSW MINISTRY OF HEALTH

STANDARD 3000 LT NOMINAL CAPACITY POLY SEPTIC TANK AS SHOWN ON DWG M - 1292. REFER THIS DRAWING FOR ALL DETAILS

DRAWN KS	DATE 18/7/2019	APPROVED FOR MANUFACTURE	MATERIAL PP.	CLASS	SCALE 1 : 10	PROJ. NO.
TITLE 4000 LT ( NOMINAL ) POLYMER COLLECTION WELL			DRAWING NUMBER P07456		REVISION 0	DATE 18/07/19
EVERHARD INDUSTRIES PTY LTD 405 NEWMAN ROAD, GEEBUNG, QLD, 4034 PH ( 07 ) 3637 6444 FAX ( 07 ) 3652 2411						

270 LID HEIGHT

1882

2080

1610

10

275

1100

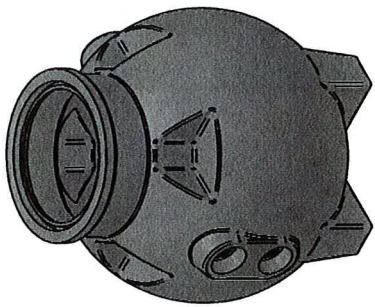
1610

460

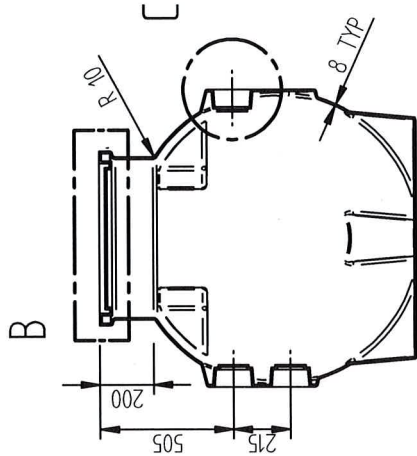
170

235

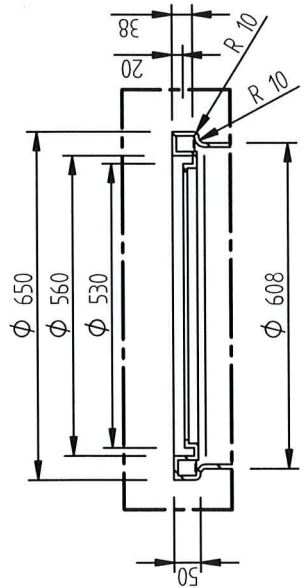
A



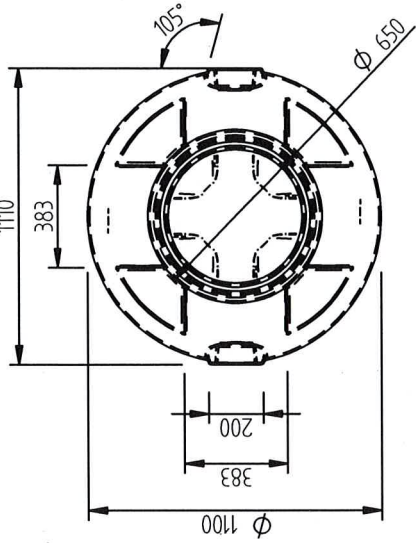
PICTORIAL



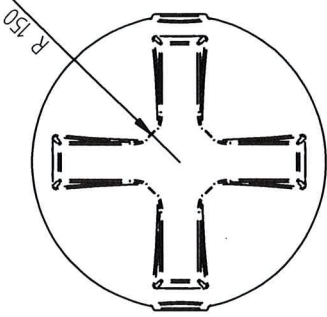
SECTION A-A



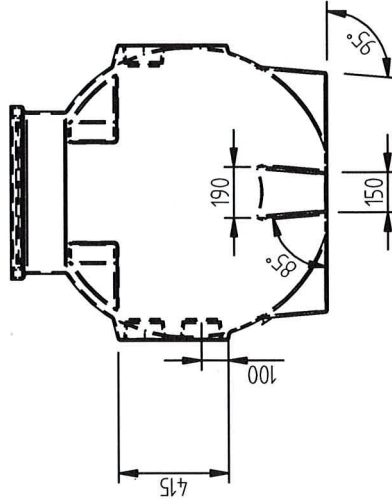
DETAIL B



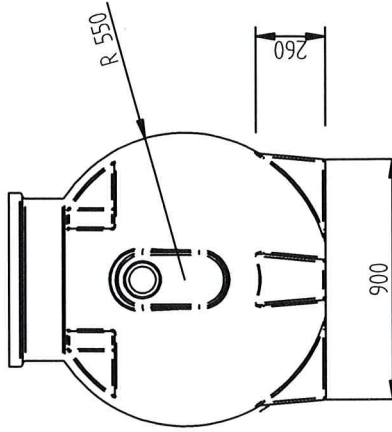
TOP VIEW



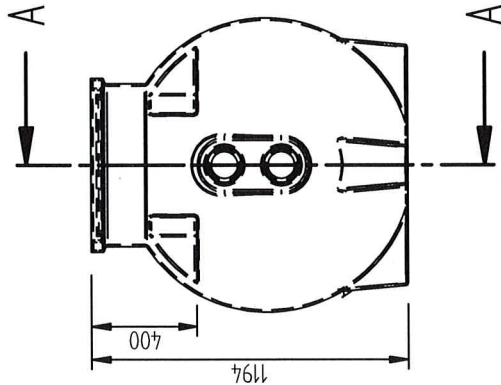
UNDERSIDE VIEW



SIDE



REAR

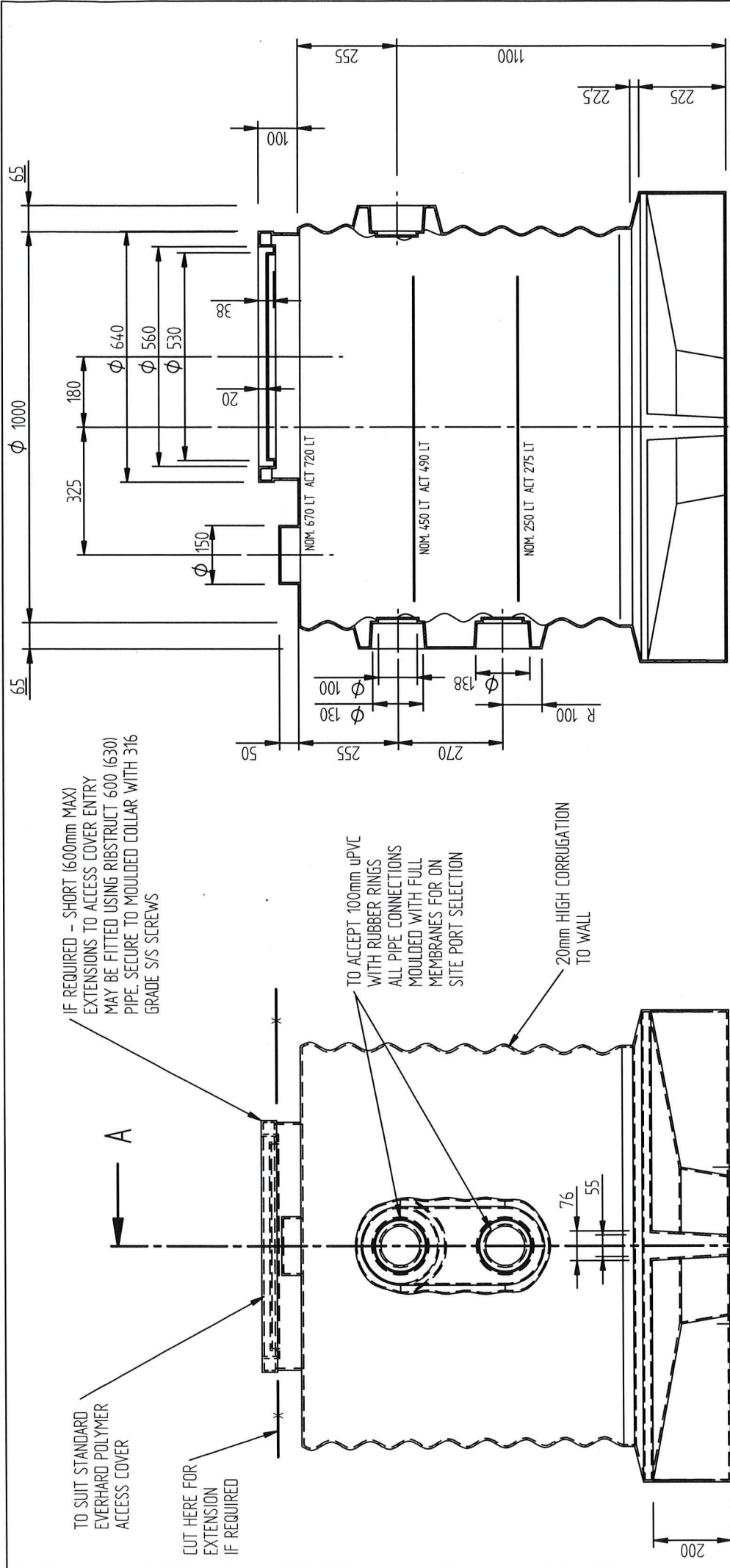


FRONT

**ACCREDITED**  
 29 AUG 2023  
 NSW MINISTRY OF HEALTH

DRAWN BJD		DATE 12-8-2014	APPROVED FOR MANUFACTURE	MATERIAL ROTO PE	MASS 34kg GROSS	SCALE 1:20, 1:10	PROD. NO.
TITLE PROPOSED 250 - 450 LT ROTOMOULDED PUMPWELL		DRAWING NUMBER MP - 7188		EVERHARD INDUSTRIES PTY LTD		405 NEWMAN ROAD, GEEBUNG, QLD, 4034 PH: (07) 3637 6444 FAX: (07) 3652 2111	
REVISION		DATE	ORIG	~ / - / 12			

EVERHARD INDUSTRIES PTY LTD ACCEPTS NO LIABILITY OR RESPONSIBILITY TO THE USER OR ANY OTHER PERSON OR ENTITY WITH RESPECT TO ANY LIABILITY, LOSS, DAMAGE OR INJURY CAUSED OR ALLEGED TO BE CAUSED BY THE ADOPTION AND/OR USE OF THIS DRAWING. THIS INCLUDES, BUT IS NOT RESTRICTED TO, ANY INTERRUPTION OF SERVICES, LOSS OF ACTUAL OR ANTICIPATED BUSINESS, INCOME, AND PROFITS, OR CONSEQUENTIAL DAMAGES ARISING FROM OR ASSOCIATED WITH THE USE OF ANY PRODUCT MADE IN ACCORDANCE WITH THIS DRAWING. NOTWITHSTANDING, THIS DRAWING MUST NOT BE ASSUMED TO BE AN EQUIVALENT TO, OR A SUBSTITUTE FOR, ANY GENERAL USAGE OR PRODUCT SPECIFIC DESIGN UNLESS ANALYSED AND APPROVED AS SUCH BY AN INDEPENDENT AND APPROPRIATELY QUALIFIED PROFESSIONAL ORGANISATION FOR ANY SUCH ASSESSMENT. THE RESPONSIBILITY OF THE CUSTOMER PURCHASING THE PRODUCT SHOWN IN THIS DRAWING FROM EVERHARD INDUSTRIES PTY LTD, IS THE USER'S RESPONSIBILITY TO ENSURE THE APPROPRIATE PRODUCT IS SELECTED & THAT THE CORRECT SCALE, WHEN USING A DRAWING IS UTILISED.



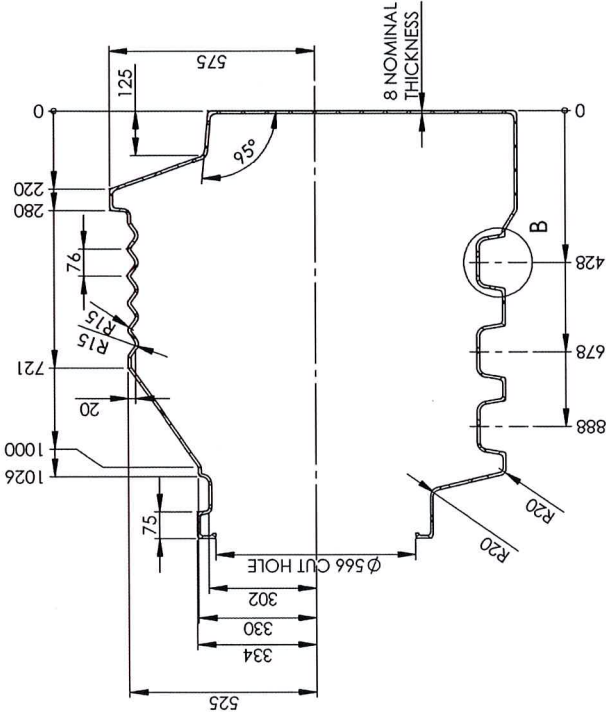
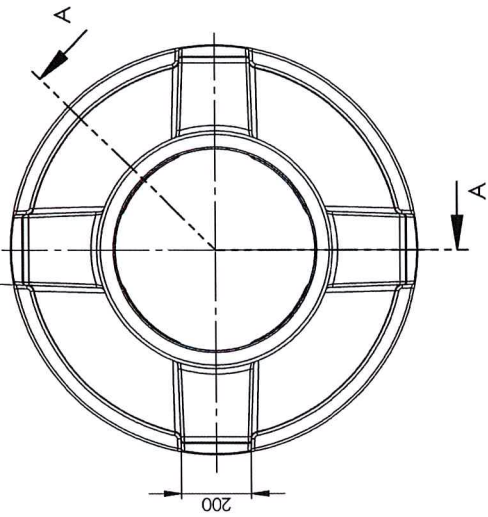
AMMEND 8		REDRAWN AS CAD DRAWING		BJD		06-07-2015		
DRAWN	JMCG	DATE	1-11-1998	APPROVED FOR MANUFACTURE	MATERIAL	ROTO PE	SCALE	1:10
PROJ. NO.	82200	MASS	46 kg					
TITLE				EVERHARD INDUSTRIES PTY LTD				
ROTO-MOULD POLYETHYLENE				405 NEWMAN ROAD, GEEBUNG, QLD, 4094				
450 / 250 LT NOMINAL				PH: 1 (07) 3637 6444				
PUMP WELL				FAX: 1 (07) 3265 2111				
DRAWING NUMBER		MP - 2240		REVISION		8		
DATE		6/7/15						

EVERHARD INDUSTRIES PTY LTD ACCEPTS NO LIABILITY OR RESPONSIBILITY TO THE USER OF ANY OTHER PERSON OR ENTITY WITH RESPECT TO ANY LIABILITY, LOSS, DAMAGE OR INJURY CAUSED OR ALLEGED TO BE CAUSED BY THE USE OF THIS DRAWING. THE USER OF THIS DRAWING SHALL BE RESPONSIBLE FOR THE INTERPRETATION OF THIS DRAWING AND FOR THE ACCURACY OF THE INFORMATION AND DATA PROVIDED. EVERHARD INDUSTRIES PTY LTD ACCEPTS NO LIABILITY FOR THE USE OF THIS DRAWING FOR ANY PURPOSE OTHER THAN THAT FOR WHICH IT WAS DESIGNED. EVERHARD INDUSTRIES PTY LTD ACCEPTS NO LIABILITY FOR THE USE OF THIS DRAWING FOR ANY PURPOSE OTHER THAN THAT FOR WHICH IT WAS DESIGNED. EVERHARD INDUSTRIES PTY LTD ACCEPTS NO LIABILITY FOR THE USE OF THIS DRAWING FOR ANY PURPOSE OTHER THAN THAT FOR WHICH IT WAS DESIGNED.

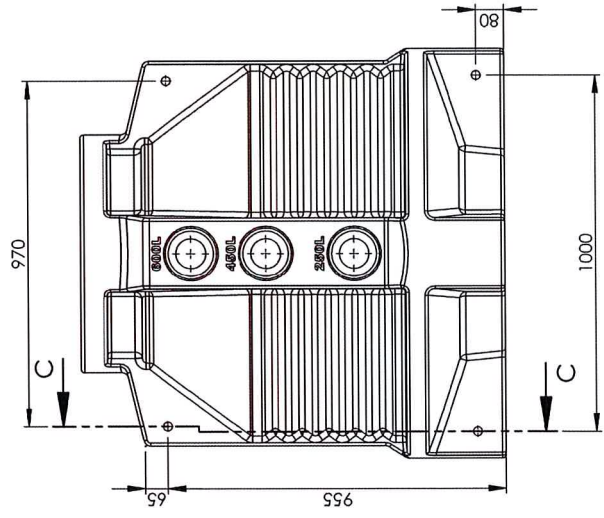
EVERHARD INDUSTRIES PTY LTD ACCEPTS NO LIABILITY OR RESPONSIBILITY TO THE USER OF ANY OTHER PERSON OR ENTITY WITH RESPECT TO ANY LIABILITY, LOSS, DAMAGE OR INJURY CAUSED OR ALLEGED TO BE CAUSED BY THE USE OF THIS DRAWING. THE USER OF THIS DRAWING SHALL BE RESPONSIBLE FOR THE INTERPRETATION OF THIS DRAWING AND FOR THE ACCURACY OF THE INFORMATION AND DATA PROVIDED. EVERHARD INDUSTRIES PTY LTD ACCEPTS NO LIABILITY FOR THE USE OF THIS DRAWING FOR ANY PURPOSE OTHER THAN THAT FOR WHICH IT WAS DESIGNED. EVERHARD INDUSTRIES PTY LTD ACCEPTS NO LIABILITY FOR THE USE OF THIS DRAWING FOR ANY PURPOSE OTHER THAN THAT FOR WHICH IT WAS DESIGNED. EVERHARD INDUSTRIES PTY LTD ACCEPTS NO LIABILITY FOR THE USE OF THIS DRAWING FOR ANY PURPOSE OTHER THAN THAT FOR WHICH IT WAS DESIGNED.



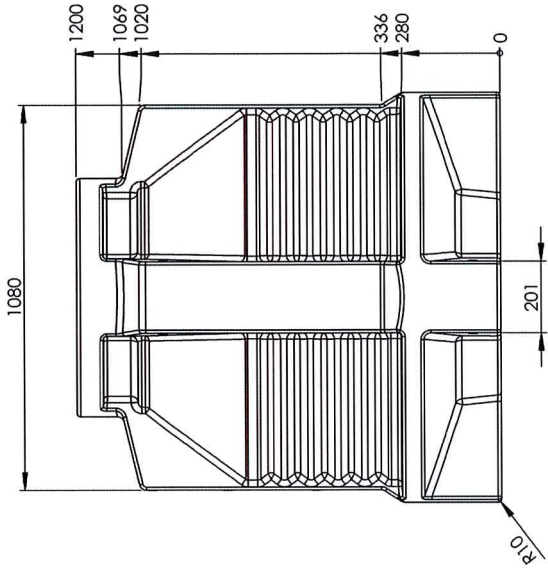
NOTES:  
 REFER TO 3D CAD DATA FOR UN-DIMENSIONED SIZES  
 GENERAL TOLERANCE  $\pm 1\%$  UNLESS OTHERWISE SPECIFIED  
 BREAK AND DEBURR ALL SHARP EDGES



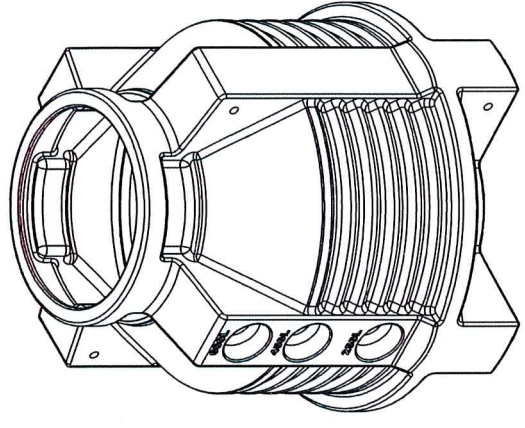
SECTION A-A



SECTION C-C



DETAIL B  
 SCALE 1:5  
 TYPICAL INLET



**ACCREDITED**  
 29 AUG 2023

NSW MINISTRY OF HEALTH  
 ROTOMOULD PUMPWELL

**EVERHARD INDUSTRIES**  
 405 NEWMAN ROAD  
 GEEBUNG, QLD, 4034  
 PH: (07) 3637 6444  
 FAX: (07) 3265 2111

UNLESS OTHERWISE SPECIFIED:  
 DIMENSIONS ARE IN MILLIMETRES  
 THIRD ANGLE PROJECTION  
 DEBUR AND BREAK SHARP EDGES  
 SURFACE FINISH: XX =  $\pm 0.2$   
 XXX =  $\pm 0.02$

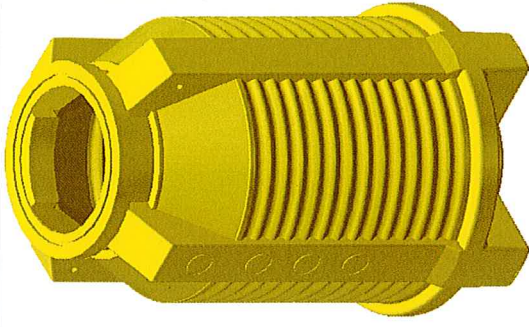
DESCRIPTION: NAME DATE MATERIAL  
 DRAWN: K. BETY 21 APR 22 LLDPE  
 CHECKER: R. SILVA 28 JUN 22  
 APPROVAL: A. TURNER 28 JUN 22

ESTIMATED WEIGHT: 41.897 kg  
 PRODUCT CODE: 82200E

DWG NO: P-WE82200E  
 REVISION: 100

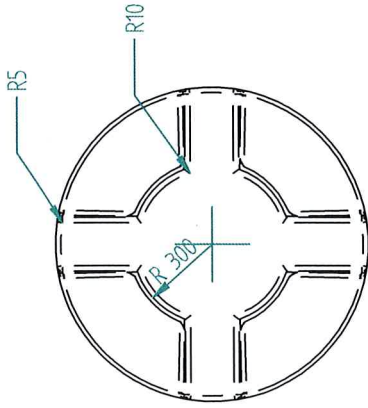
SHEET 1 OF 1  
 SCALE 1:1.5

ZONE	REV.	DESCRIPTION	DATE
	100	RELEASED FOR PRODUCTION	28 JUN 22

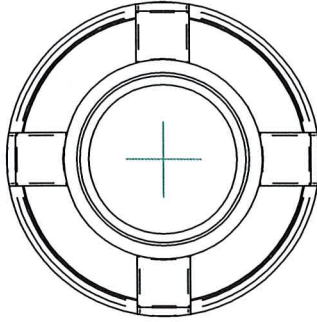


PICTORIAL

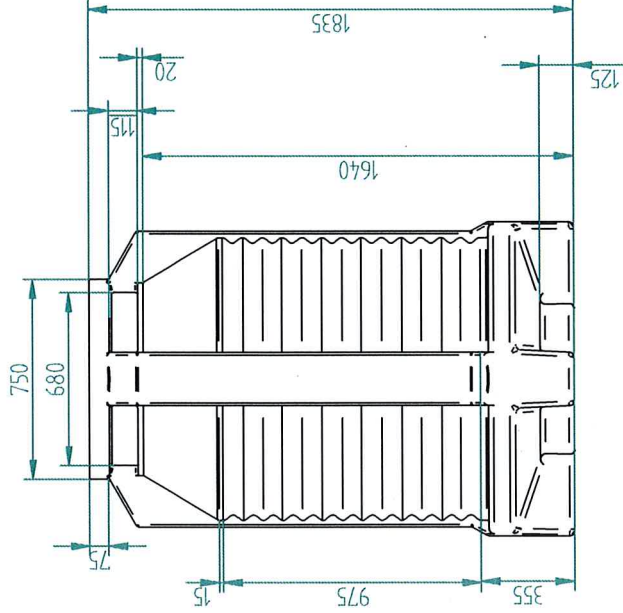
ACCREDITED  
29 AUG 2023  
NSW MINISTRY OF HEALTH



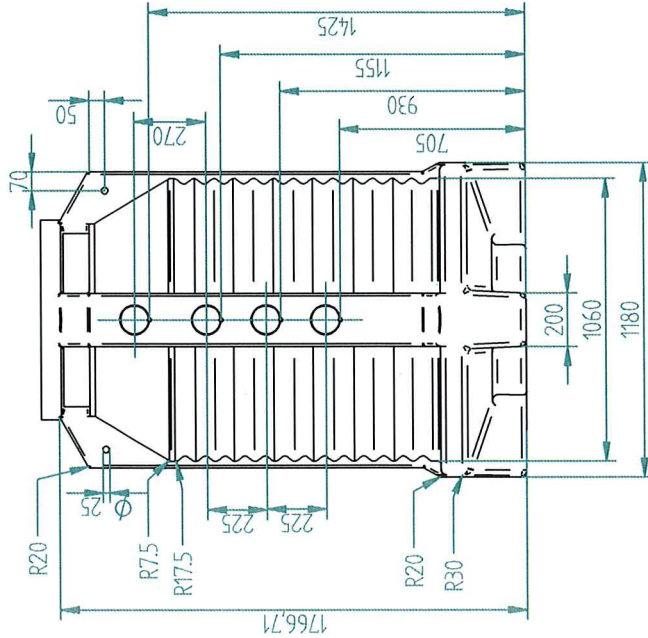
BOTTOM VIEW



TOP VIEW



SIDE VIEW



FRONT VIEW

REF DRAWING NO. P07350	REV A	DATE 27/05/2016	DESCRIPTION FOR INFORMATION ONLY	DRAWING KC	DATE 27-05-2016	APPROVED FOR MANUFACTURE	MATERIAL	MASS 90 kg	SCALE 1 : 20	PROD. No.
				TITLE 1000L PUMPWELL		EVERHARD INDUSTRIES PTY LTD		405 NEWMAN ROAD, GERRING, QLD, 4034 PH : (07) 3637 6444 FAX : (07) 3265 2111		
				DRAWING NUMBER P07350		DRAWING NUMBER P07350		REVISION A		DATE 27/05/16

EVERHARD INDUSTRIES PTY LTD ACCEPTS NO LIABILITY OR RESPONSIBILITY TO THE USER OR ANY OTHER PERSON OR ENTITY WITH RESPECT TO ANY LIABILITY, LOSS, DAMAGE OR INJURY CAUSED OR ALLEGED TO BE CAUSED, EITHER DIRECTLY OR INDIRECTLY, BY THE ADDITION AND/OR USE OF THIS DRAWING. THIS INCLUDES, BUT IS NOT RESTRICTED TO, ANY INTERRUPTION OF SERVICES, LOSS OF ACTUAL OR ANTICIPATED BUSINESS, INCOME AND PROFITS, OR CONSEQUENTIAL DAMAGES ARISING FROM OR ASSOCIATED WITH THE USE OF ANY PRODUCT MADE IN ACCORDANCE WITH THIS DRAWING. FURTHERMORE, THIS DRAWING MUST NOT BE ASSUMED TO BE AN EQUIVALENT TO, OR A SUBSTITUTE FOR, ANY GENERAL USAGE OR PROJECT SPECIFIC DESIGN UNLESS ANALYSED AND APPROVED AS SUCH BY AN INDEPENDENT AND APPROPRIATELY QUALIFIED PROFESSIONAL ENGINEER. THE RESPONSIBILITY OF THE CUSTOMER PURCHASING THE PRODUCT SHOWN IN THIS DRAWING FROM EVERHARD INDUSTRIES PTY LTD, IT IS THE USER'S RESPONSIBILITY TO ENSURE THE APPROPRIATE PRODUCT IS SELECTED, & THAT THE CORRECT SCALE WHEN USING A DRAWING IS UTILISED.