



Health

Certificate of Accreditation

Sewage Management Facility

Septic Tanks & Collection Wells

This Certificate of Accreditation is issued by the Secretary of the NSW Ministry of Health pursuant to Clause 41(1) of the Local Government (General) Regulation 2005.

Manufacturer: *Gough Industries Pty Ltd*

Of: *833 Ingham Road, Bohle Townsville, QLD, 4818*

The Gough Plastics Pump Wells as described in the following Schedule have been accredited as sewage management facilities for use in single domestic premises in NSW.

*Director, Environmental Health
for Secretary (delegation PH335)*

Issued: *5 February 2019*

Certificate No: *STCW035*

Expires: *31 December 2023*



Health

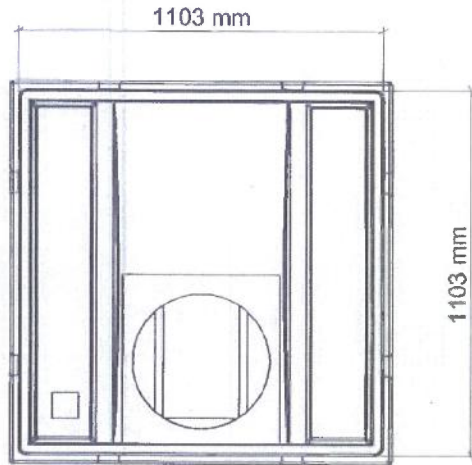
Accreditation Schedule

*The Certificate of Accreditation applies to the following
Septic Tanks and Collection Wells*

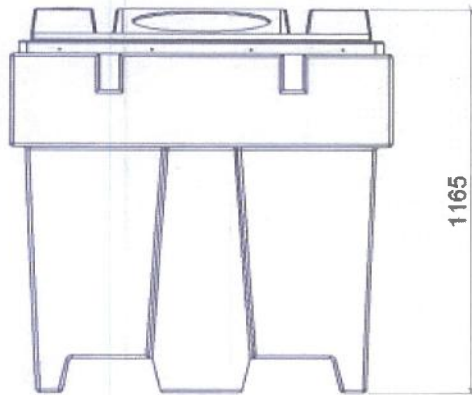
Model	Description	Size
Pump Well	Vertical axis cylindrical or cube roto moulded polyethylene tank (green). Certification applies only to the construction of the tank and lid and access cover where applicable to design. It does not include the internal fittings. Burial depth of the lid is restricted to 0 mm	600 L 1000 L (cube) 1075 L

DO NOT SCALE

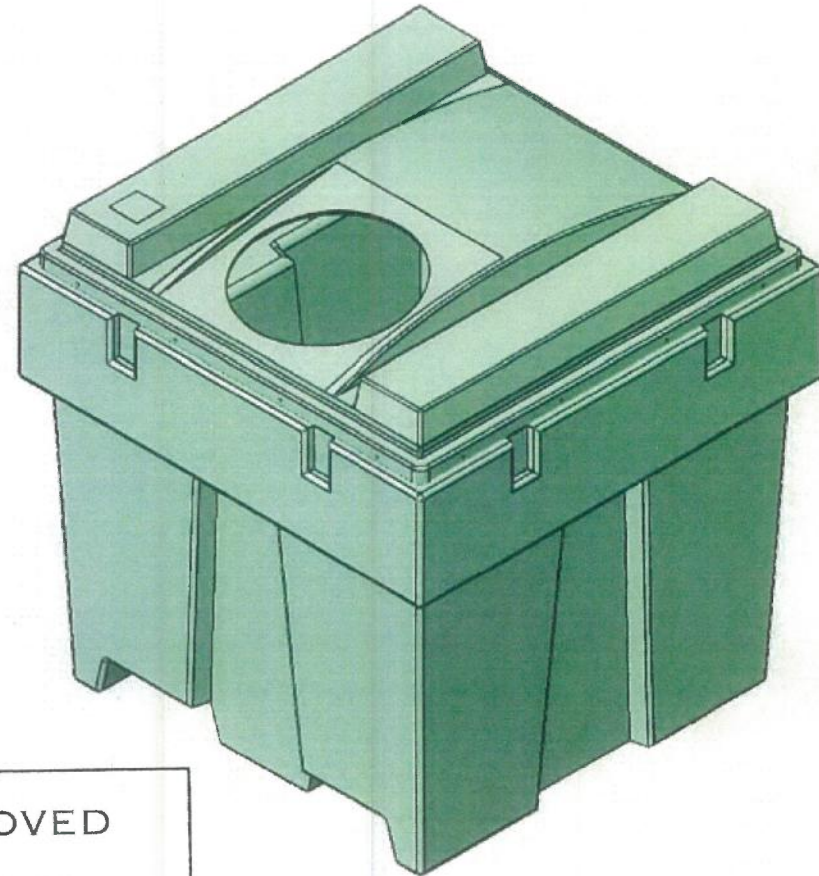
CONFIDENTIAL



TOP VIEW



FRONT VIEW



APPROVED
- 5 FEB 2019
NSW MINISTRY OF HEALTH

No.	DATE	BY	DESCRIPTION
A	17.12.10	DH	FIRST ISSUE
REVISION			



Gough Industries Pty. Ltd.
833 Ingham Road
Sahle, Townsville
P.O. Box 7570, Garbutt BC, Qld. 4814
Telephone 07 47747606
Facsimile 07 47747608
A.C.N. 010 028 547

This drawing remains the property of Gough Industries Pty. Ltd. It is subject to Gough Industries Pty. Ltd.'s recall and must not be reproduced in part or whole or its contents divulged to third parties without prior written approval from Gough Industries Pty Limited.

Signature	Date
D.HOLLIER	17.12.10
DRILL CHIEF	
ENGINEER	
ENG. CHIEF	
Eng. APPROVAL	

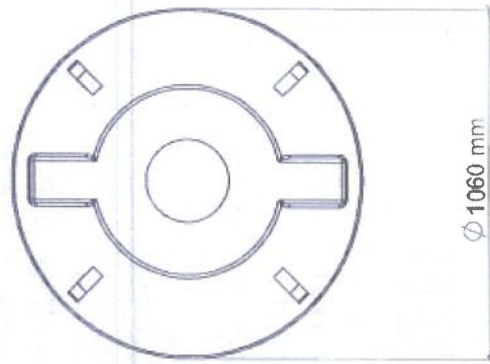
1000L CUBE PUMP WELL

SCALE 1:20	A3	Gough Plastics (Imp. No.) ENV-TAN-1000.01	A
------------	----	--	---

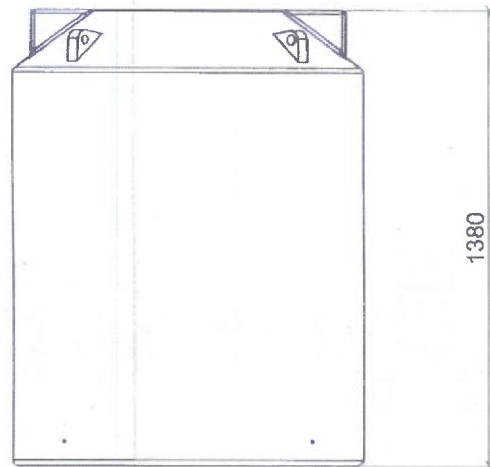
S:\Product\Environmental\Hybrid Toilet System\Standards\

DO NOT SCALE

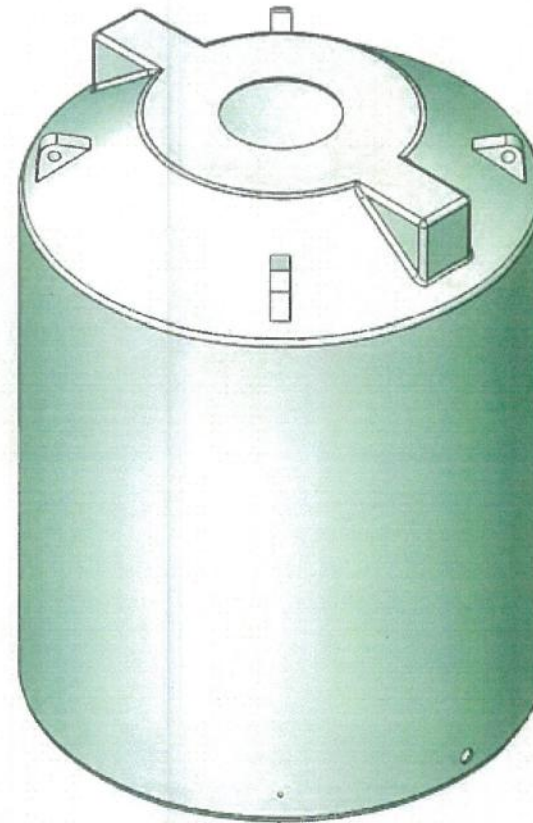
CONFIDENTIAL



TOP VIEW



FRONT VIEW



APPROVED
- 5 FEB 2019
NSW MINISTRY OF HEALTH

A	17.12.10	DH	FIRST ISSUE	
No.	DATE	BY	DESCRIPTION	GOUGH
			REVISION	APPROV.



Gough Industries Pty. Ltd.
833 Higham Road
Bathurst, New South Wales
P.O. Box 7570, Garbutt BC, Qld. 4814.
Telephone 07 47747605
Facsimile 07 47747605
A.C.N. 010 028 547

This drawing remains the property of Gough Industries Pty. Ltd. It is subject to Gough Industries Pty. Ltd.'s recall and must not be reproduced in part or whole or its contents divulged to third parties without prior written approval from Gough Industries Pty. Limited.

DRAWN	Signature	Date
DRN. CHK	D.HOLLER	17.12.10
ENGINEER		
ENG. CHK		
Eng. APPROVAL		
CONTROLLED DOCUMENT		

1075L PUMP WELL

SCALE	1:20	A3	GoughPlastics Dig. No. ENV-TAN-1075.01	A
S:\Products\Environmental\Hybrid Toilet System\Standards\				