



Certificate of Accreditation

Sewage Management Facility

Septic Tanks & Collection Wells

This Certificate of Accreditation is issued by the Secretary of the NSW Ministry of Health pursuant to Clause 41(1) of the Local Government (General) Regulation 2005.

*Manufacturer: **A1 Gippsland Septic Tanks and Concrete Products Pty Ltd***

*Of: **143 Bosworth Rd, Bairnsdale, VIC, 3875***

The Septic Tanks and Collection Wells as described in the following Schedule have been accredited as sewage management facilities for use in single domestic premises in NSW.

*A/Director, Environmental Health
for Secretary (delegation PH335)*

Issued: 4 December 2020

Certificate No: STCW038

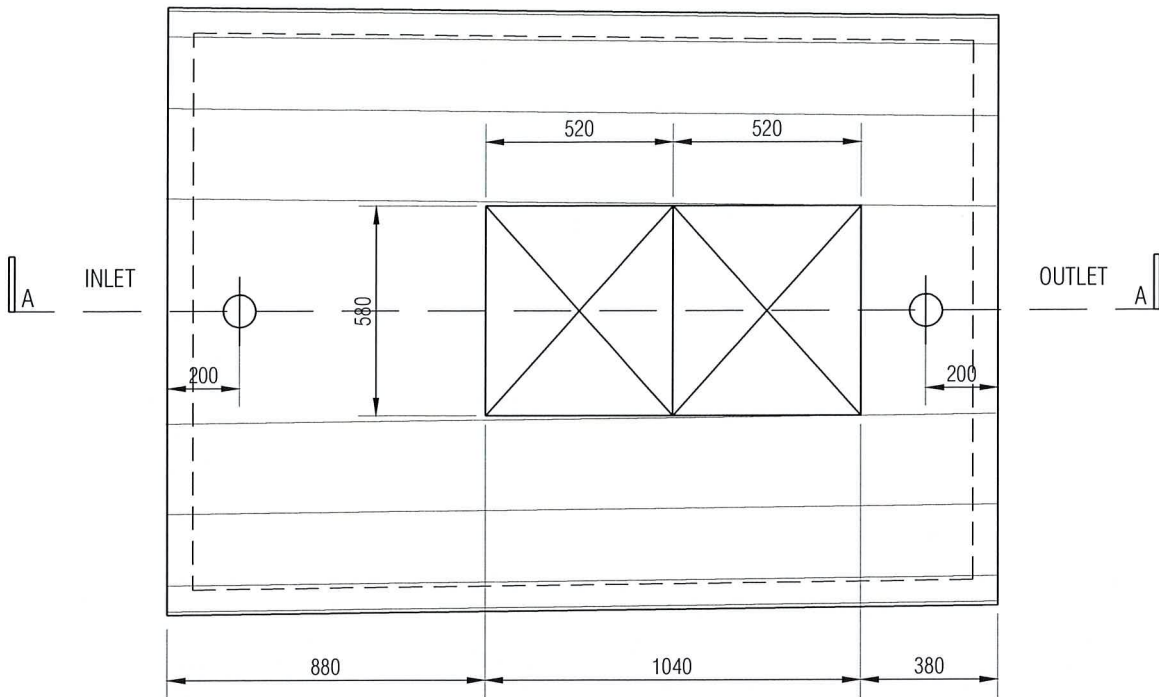
Expires: 31 December 2025



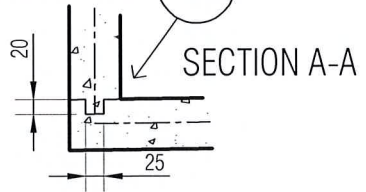
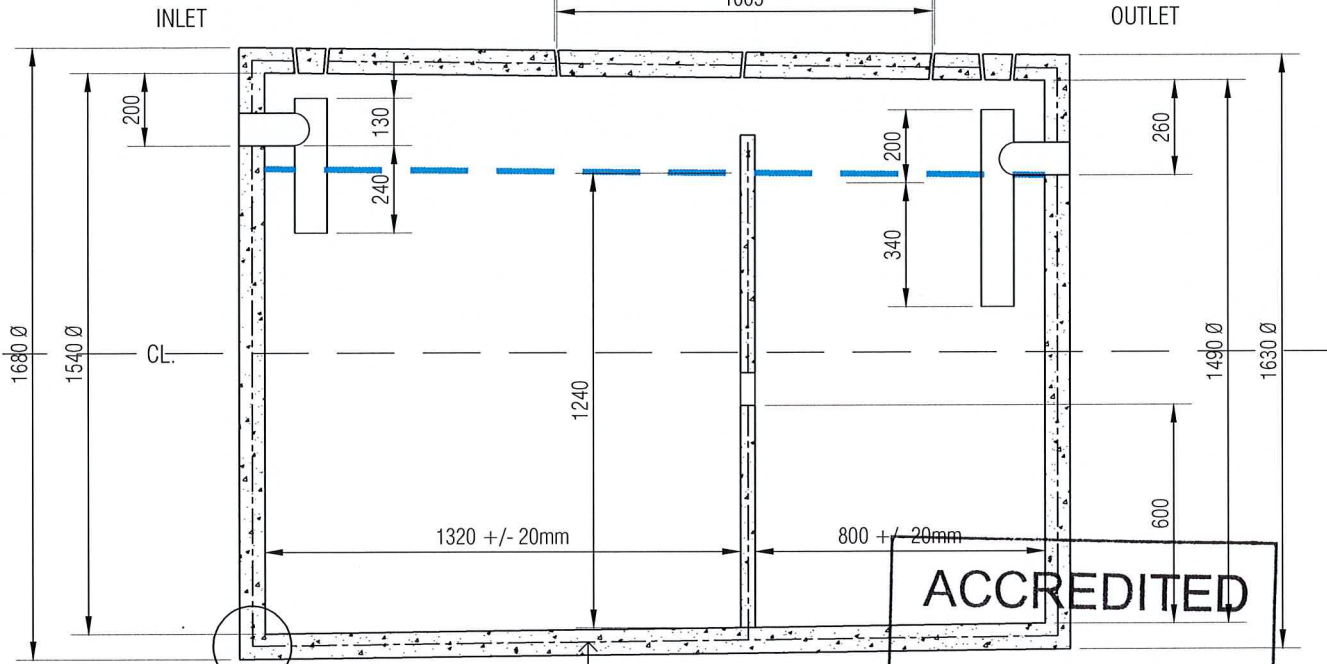
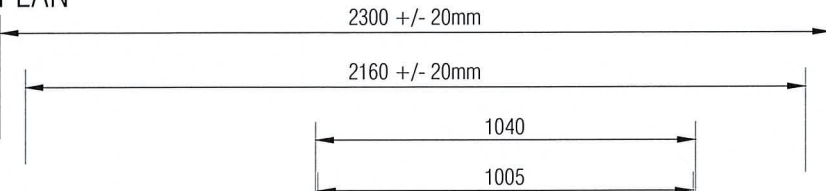
Accreditation Schedule

*The Certificate of Accreditation applies to the following
Septic Tanks and Collection Wells*

Model	Description	Size
Septic Tank	<p>Horizontal axis type, cylindrical precast concrete with steel reinforcing mesh.</p> <p>Certification applies only to the construction of the tank, lid, access cover and inlet fitting. It includes the internal fittings or partitions.</p> <p>Tank lid burial depth is restricted to 500 mm</p>	3200 L Capacity
Collection Wells	<p>Horizontal axis type, cylindrical precast concrete with steel reinforcing mesh.</p> <p>Certification applies only to the construction of the tank, lid, access cover, inlet and outlet fitting.</p> <p>Tank lid burial depth is restricted to 500 mm</p>	1800 L Capacity 3200 L Capacity



PLAN



ACCREDITED
4 DEC 2020
NSW MINISTRY OF HEALTH

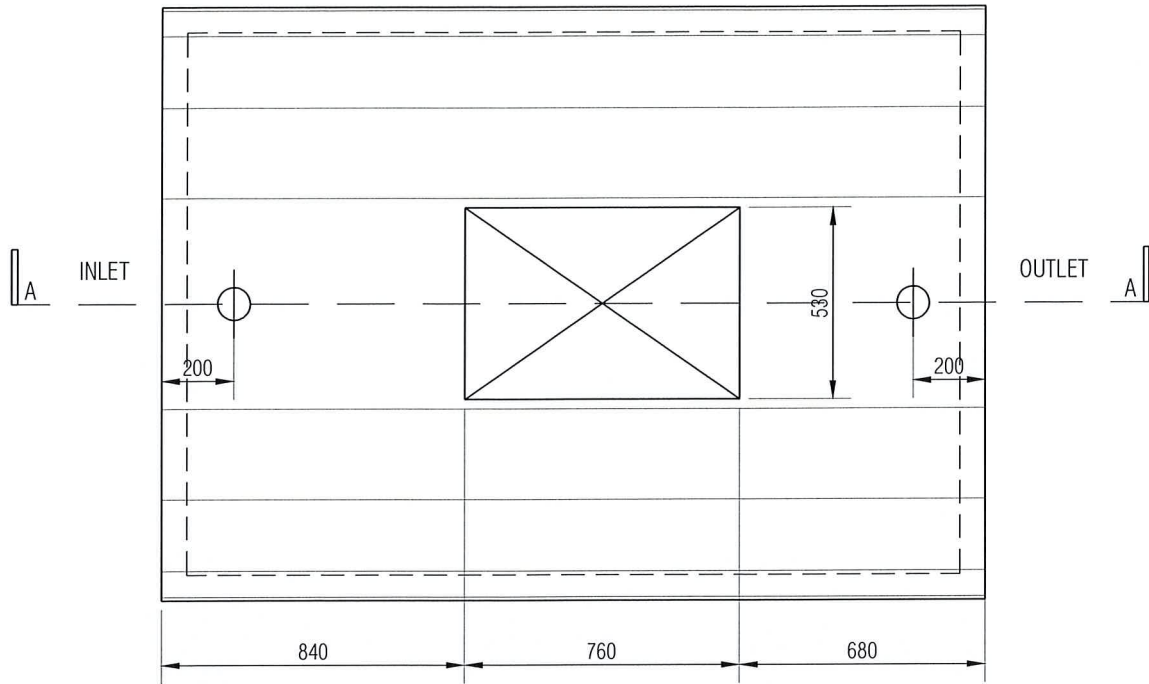


3200 LITRE SEPTIC TANK 'B'

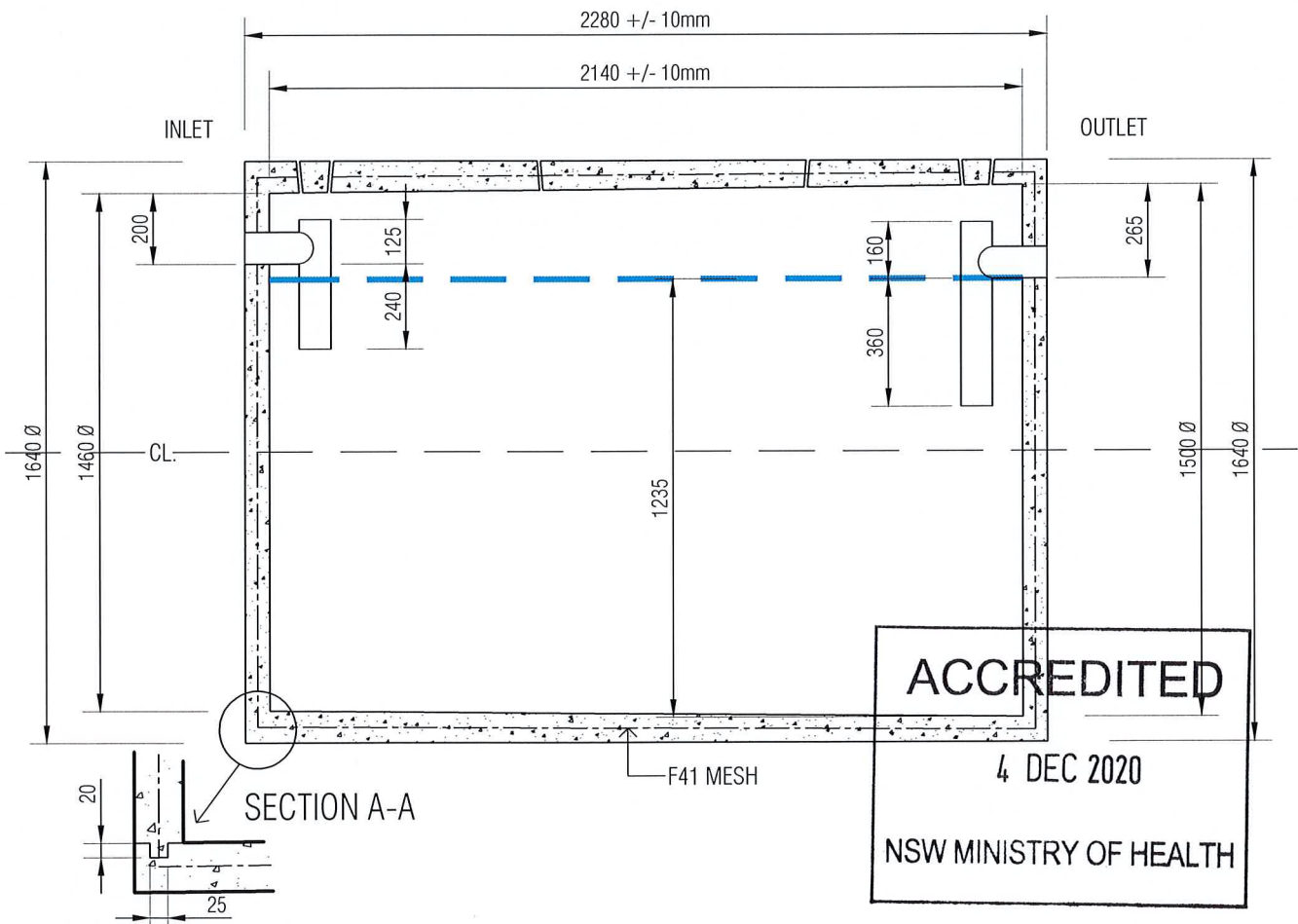
INLET AND OUTLET FITTING DIMENSIONS MAY VARY WITHIN THE LIMITATIONS STATED IN THE RELEVANT AS 1546.1.2008 STANDARD FIGURE 4.3.

REV B - 06.03.18 - ISSUED FINAL
REV A - 05.03.18 - ISSUED FOR APPROVAL

drawing # :	D.01	B
scale :	1:20	
date :	01.03.2018	



PLAN



SECTION A-A

ACCREDITED

4 DEC 2020

NSW MINISTRY OF HEALTH

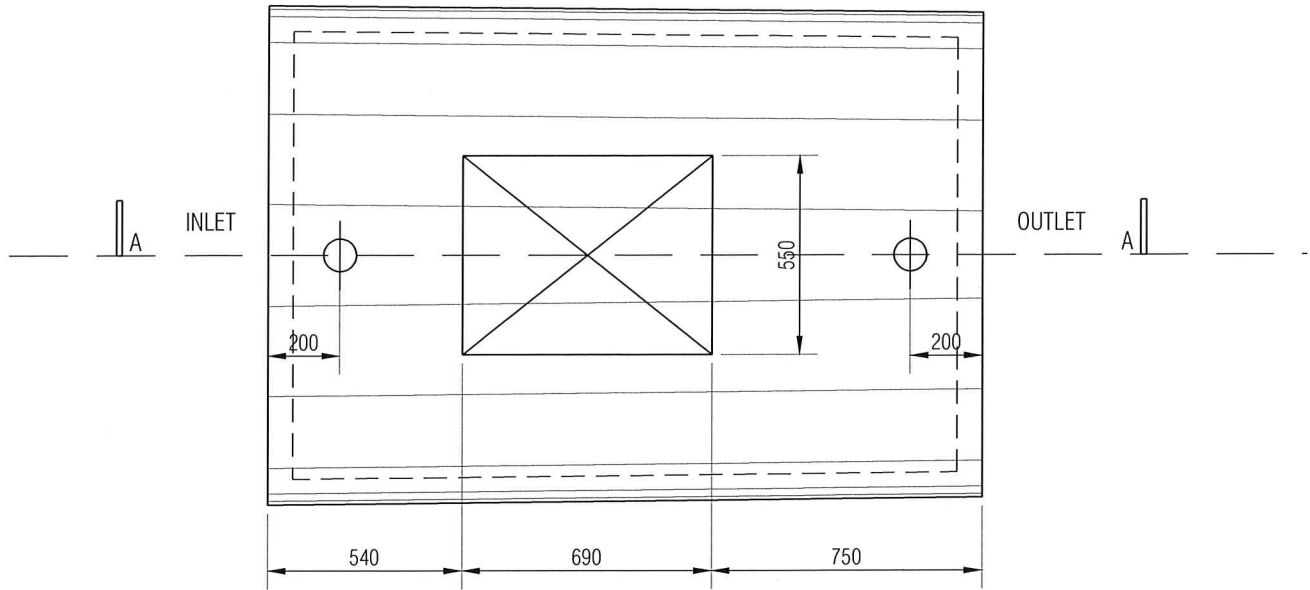


3200 LITRE COLLECTION WELL 'A'

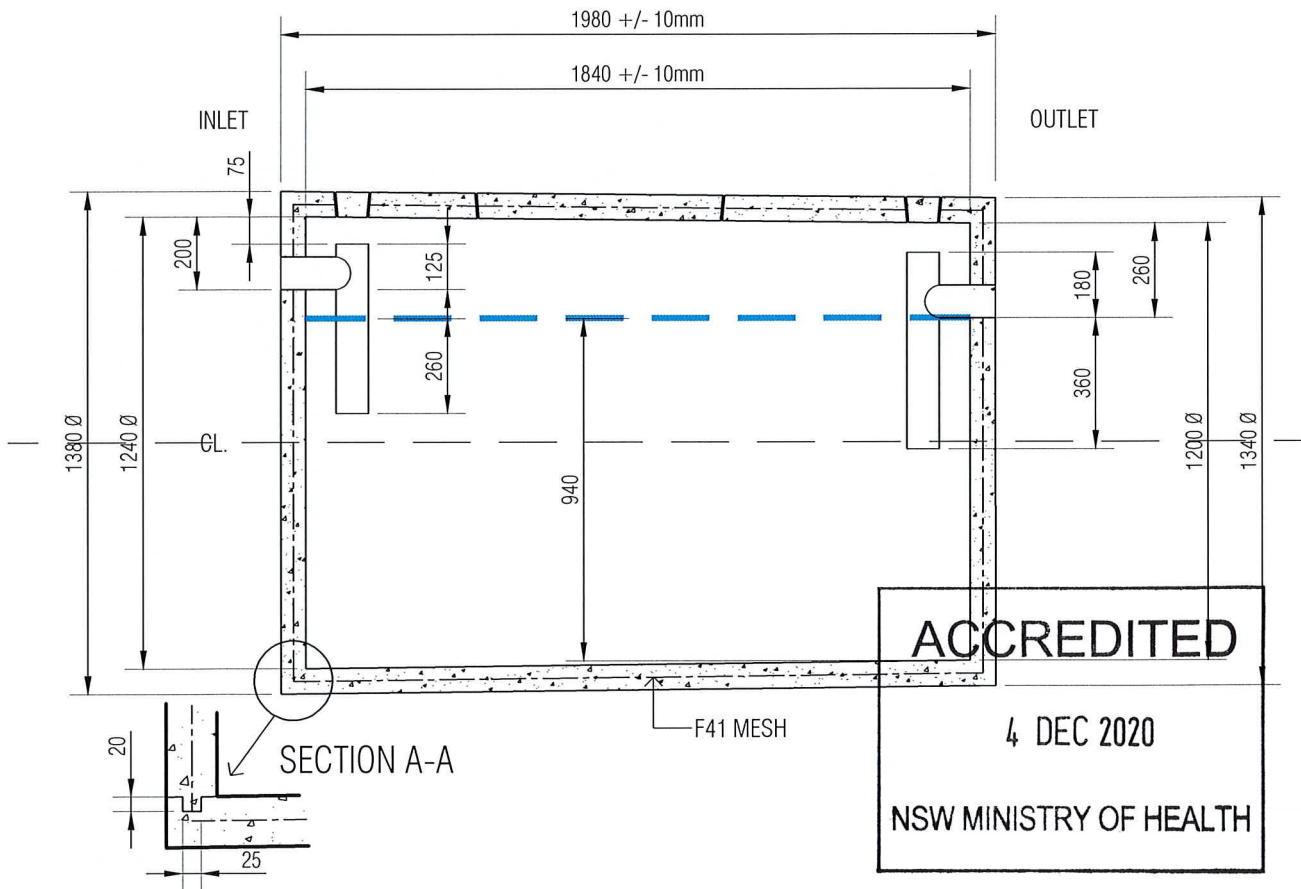
INLET AND OUTLET FITTING DIMENSIONS MAY VARY WITHIN THE LIMITATIONS STATED IN THE RELEVANT AS 1546.1.2008 STANDARD FIGURE 4.3.

REV B - 06.03.18 - ISSUED FINAL
REV A - 05.03.18 - ISSUED FOR APPROVAL

drawing # :	D.02	B
scale :	1:20	
date :	01.03.2018	



PLAN



1800 LITRE COLLECTION WELL

INLET AND OUTLET FITTING DIMENSIONS MAY VARY WITHIN THE LIMITATIONS STATED IN THE RELEVANT AS 1546.1.2008 STANDARD FIGURE 4.3.

REV B - 06.03.18 - ISSUED FINAL
 REV A - 05.03.18 - ISSUED FOR APPROVAL

drawing # :	D.03	B
scale :	1:20	
date :	01.03.2018	