



# **Certificate of Accreditation**

## **Sewage Management Facility**

### **Septic Tanks & Collection Wells**

*This Certificate of Accreditation is issued by the Secretary of the NSW Ministry of Health pursuant to section 41(1) of the Local Government (General) Regulation 2021.*

**Manufacturer:** *Suncoast Waste Water Management  
t/a Ozzi Kleen*

**Of:** *59 Industrial Ave, Kunda Park, QLD, 4556*

*The Ozzi Kleen Septic Tanks, Collection Wells, and Pump Wells as described in the following Schedule have been accredited as sewage management facilities for use in single domestic premises in NSW.*

*A/Director, Environmental Health  
for Secretary (delegation PH335)*

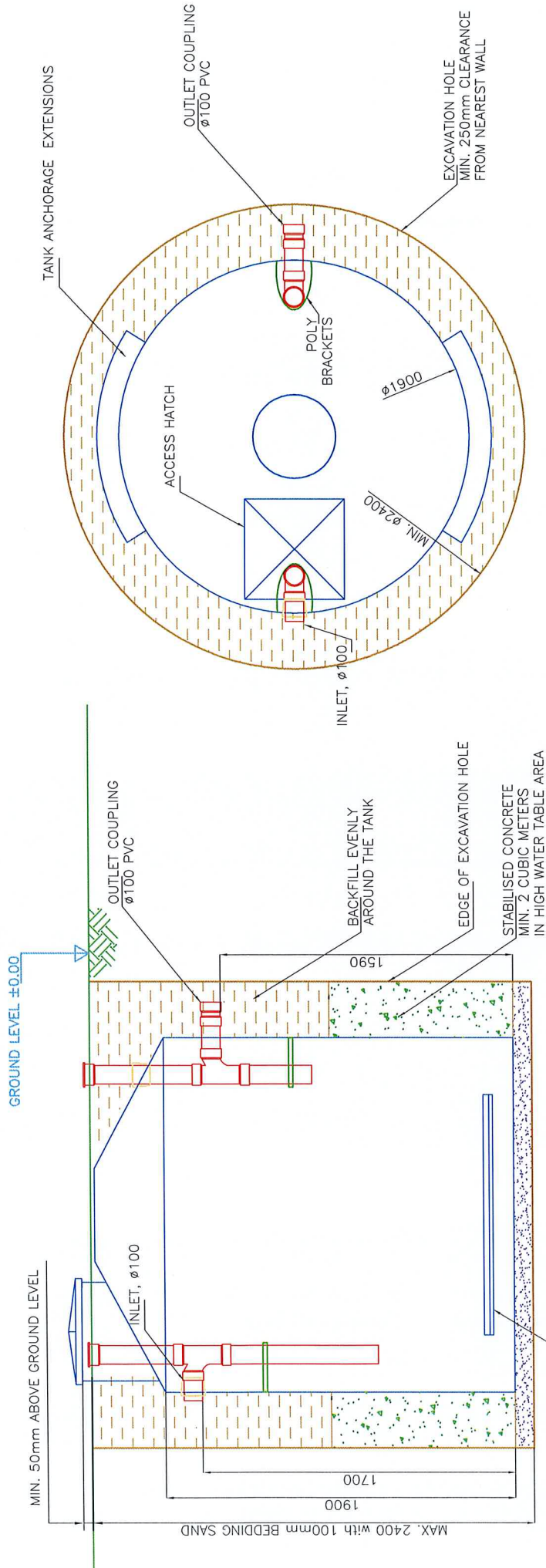
**Issued:** *12 / Jan / 2024*  
**Certificate No:** *STCW041*  
**Expires:** *31 December 2028*



## *Accreditation Schedule*

*The Certificate of Accreditation applies to the following  
Septic Tanks, Collection Wells, and Pump Wells*

Model	Description	Size
Septic Tank ST 10 ST 10A	Vertical axis type cylindrical roto moulded polyethylene tank. Certification applies only to the construction of the septic tank, baffle and access covers. It does not include the internal fittings. Burial depth of the tank lid is restricted to 0 mm	4506 L 4506 L
Collection Well PT 4000 Single Turret PT4000 Twin Turret PT1000 Flat Base PT1000 Hopper Bottom PT5300 Flat Base PT5300 Hopper Bottom RW5300	Vertical axis type cylindrical roto moulded polyethylene tank. Certification applies only to the construction of the collection well and access covers. It does not include the internal fittings. Burial depth of the tank lid is restricted to 0 mm	4150 L 4150 L 1208 L 1225 L 5350 L 5250 L 5300 L
Pump Well PT300 PT350 PT500 PT850 PS1000 PS1500 PT1500 Hopper Bottom PT1500 Flat base	Vertical axis type cylindrical roto moulded polyethylene tank. Certification applies only to the construction of the pump well and access cover. It does not include the internal fittings. Burial depth of the tank lid is restricted to 0 mm	300 L 350 L 663L 850 L 1225 L 1640 L 1640 L 1735 L



ST10 - PLAN

ST10 - ELEVATION

NOTES:

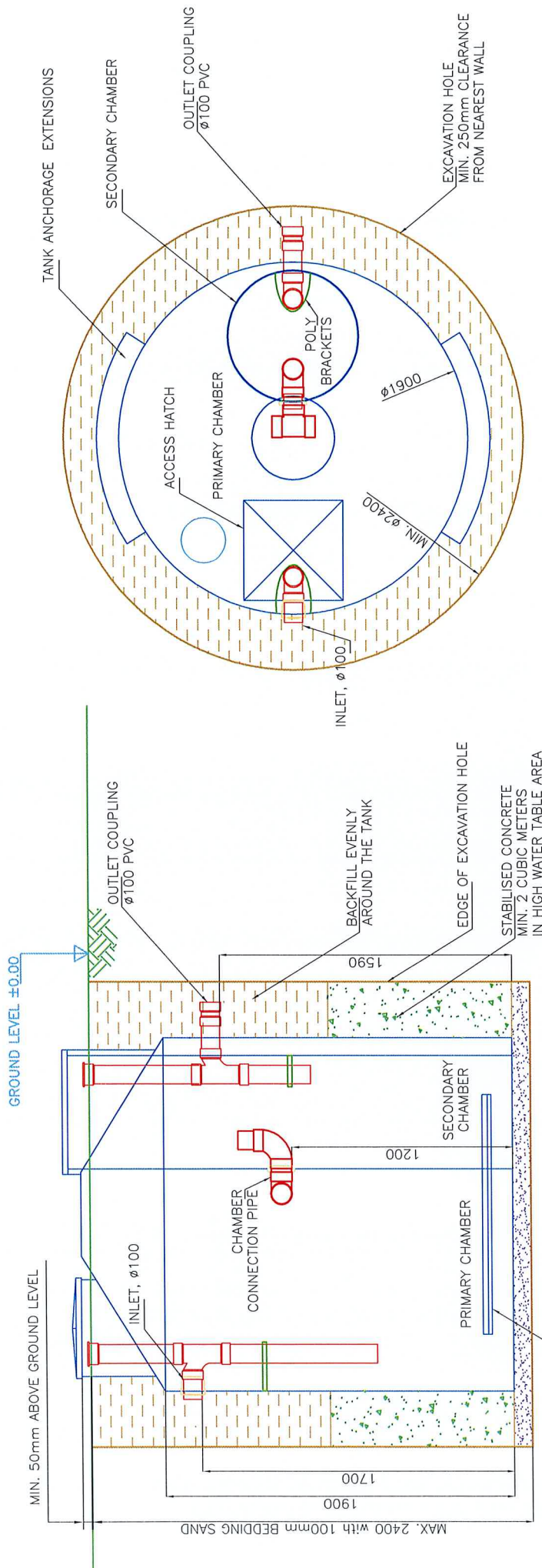
1. Ozzi Kleen POLYETHYLENE TANK IS CERTIFIED TO AS/NZS 1546.1.
2. PLEASE SEE INSTALLATION GUIDELINES FOR MINIMUM REQUIREMENTS.
3. PLEASE CONFIRM INVERT LEVELS WHEN ORDERING.



Suncoast Waste Water Management

59 INDUSTRIAL AVE KUNDA PARK QLD 4556 PH +61 7 5459 4900 FAX +61 7 5456 4677 www.ozzikleen.com	CLIENT	GENERAL	DESIGN	AP
	PROJECT	4,500L SEPTIC TANK - ST10	DRAWN	YH
	TITLE	GENERAL LAYOUT	CHKD	AP
	DWG NO.	GD-ST10-H10	DATE	02/02/16
			SCALE	NTS

02/02/16	GENERAL REVISION	1	YH	BY
	DESCRIPTION			



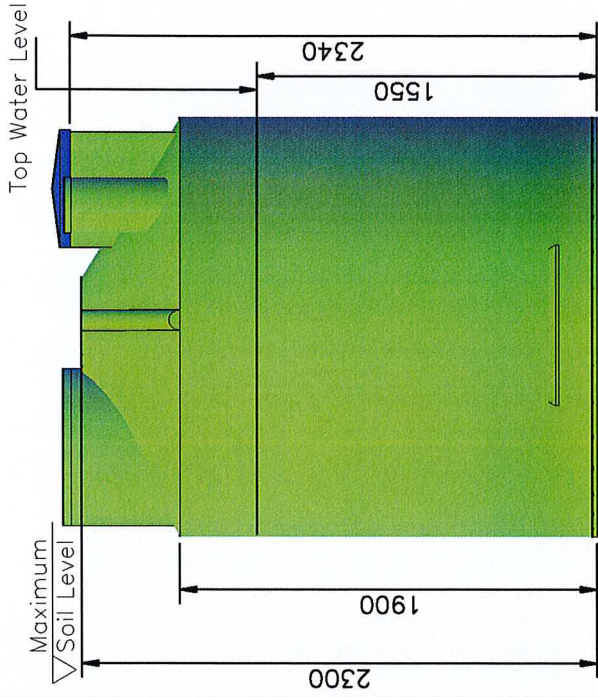
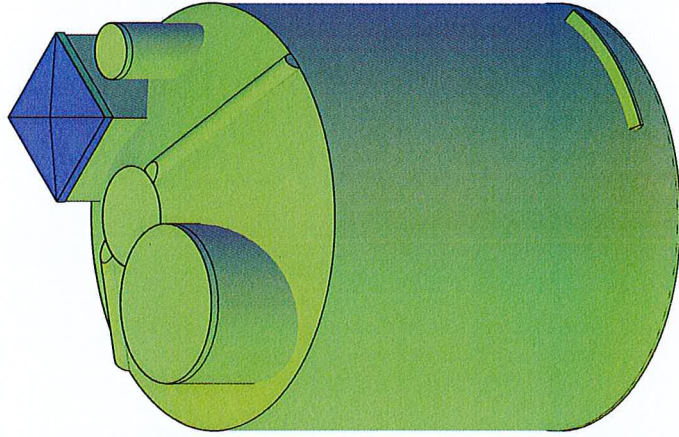
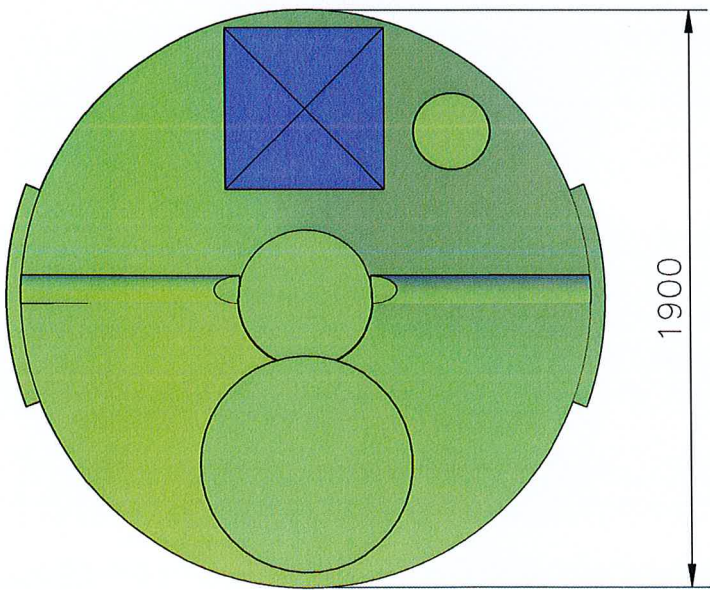
ST10A - PLAN

ST10A - ELEVATION

NOTES:

1. Ozzi Kleen POLYETHYLENE TANK IS CERTIFIED TO AS/NZS 1546.1.
2. PLEASE SEE INSTALLATION GUIDELINES FOR MINIMUM REQUIREMENTS.
3. PLEASE CONFIRM INVERT LEVELS WHEN ORDERING.

		CLIENT		GENERAL		DESIGN	AP
		59 INDUSTRIAL AVE KUNDA PARK QLD 4556 PH +61 7 5459 4800 FAX +61 7 5456 4877 www.ozzikleen.com		PROJECT 4,500L SEPTIC TANK - ST10A		DRAWN	YH
Suncoast Waste Water Management		TITLE		GENERAL LAYOUT		CHKD	AP
DATE	DESCRIPTION	REV.	BY	DWG NO.   CD-ST10A-H10		DATE	02/02/16
02/02/16	GENERAL REVISION	1	YH			SCALE	NTS



**Australian Standard**  
 AS/NZS 1546.1  
 Lic SMK20032  
 SAI Global

**OZZI KLEEN  
 COLLECTION WELL  
 MODEL PT4000  
 SINGLE TURRET  
 4,150 LITRE CAPACITY**

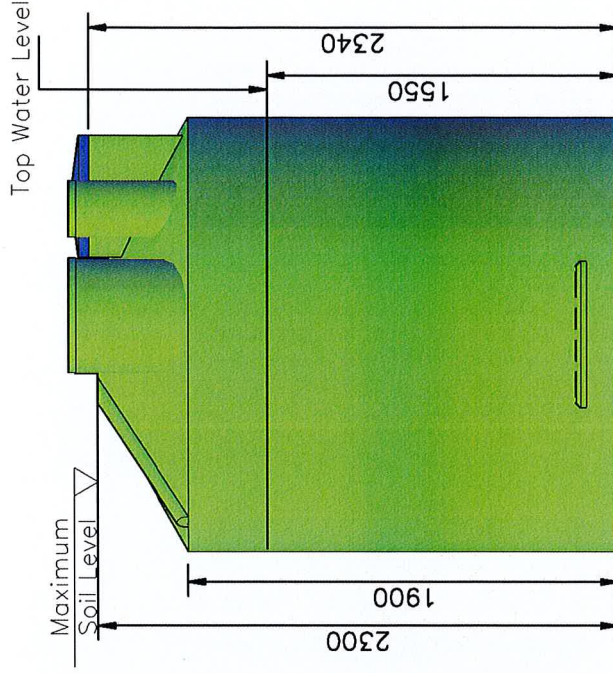
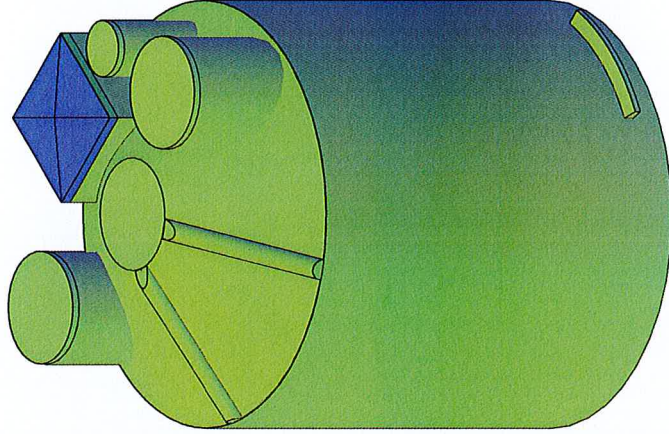
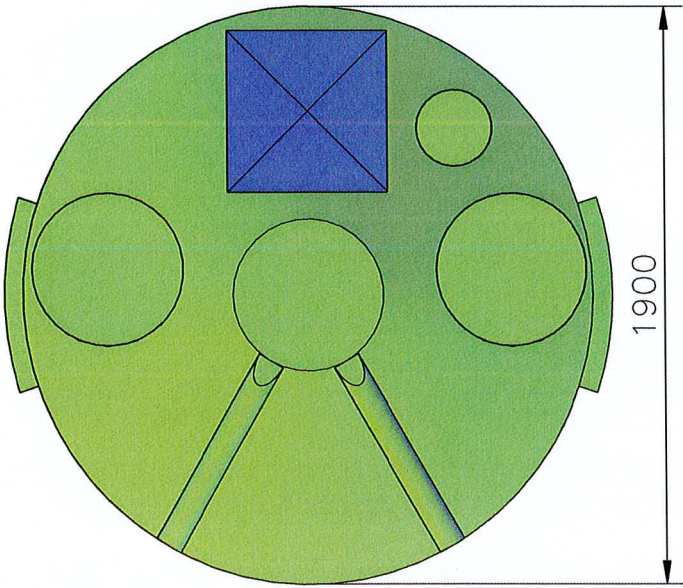


59 INDUSTRIAL AVE  
 SUNCOAST PARK  
 QLD 4556  
 PH +61 7 5458 4900  
 FAX +61 7 5456 4677  
 www.ozzicleen.com

Suncoast Waste Water Management

					DESIGN	MC
					DRAWN	YH
					CHKD	AP
					DATE	23/11/15
					SCALE	NTS
CLIENT			GENERAL			
PROJECT			COLLECTION WELL PT4000 SINGLE TURRET			
TITLE			GENERAL DRAWING			
DWG NO.			GD-PT4000GTS-H10			

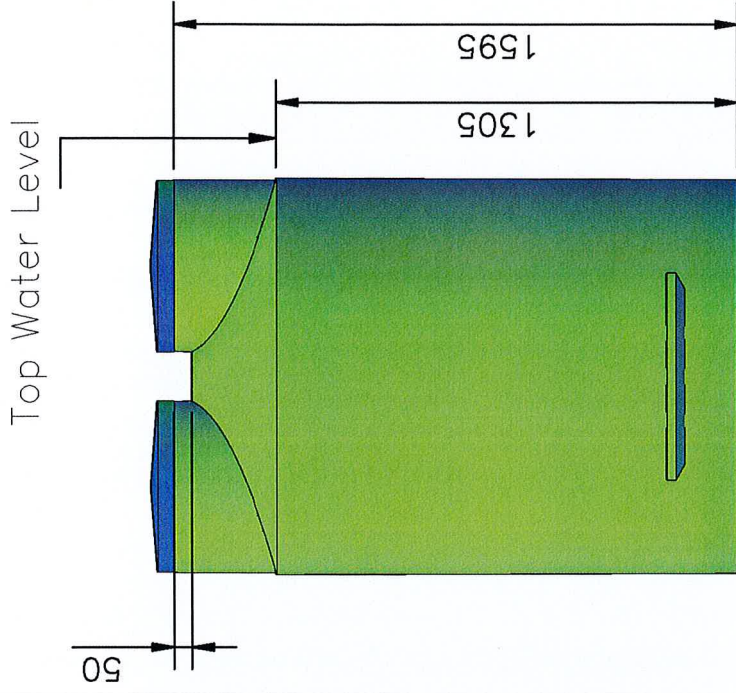
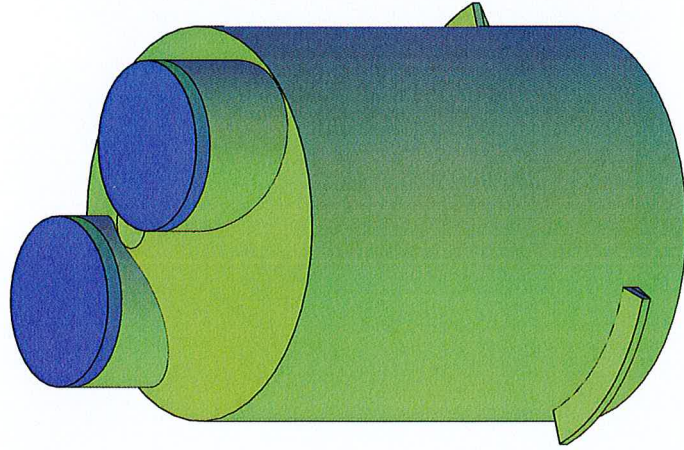
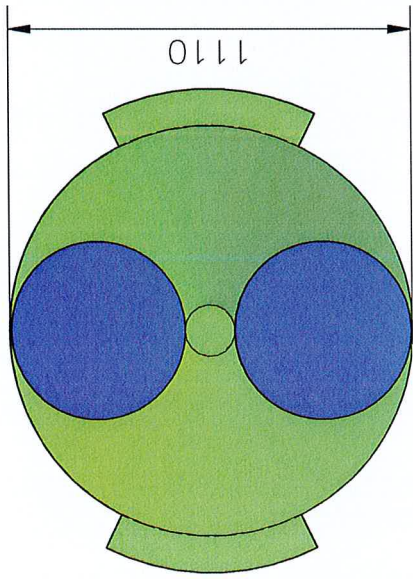
23/11/15	ISSUED FOR APPROVAL	1	YH
DATE	DESCRIPTION	REV.	BY



**Australian Standard**  
 AS/NZS 1546.1  
 Lic SMK20032  
 SAI Global

**OZZI KLEEN  
 COLLECTION WELL  
 MODEL PT4000  
 TWIN TURRET  
 4,150 LITRE CAPACITY**

59 INDUSTRIAL AVE KUNDA PARK QLD 4556 PH +61 7 5459 4900 FAX +61 7 5456 4677 www.ozzikleen.com		CLIENT	GENERAL	DESIGN	MC
		PROJECT	COLLECTION WELL PT4000 TWIN TURRET	DRAWN	YH
		TITLE	GENERAL DRAWING	CHKD	AP
		DWG NO.	GD-PT4000RP-H10	DATE	23/11/15
				SCALE	NTS
		Suncoast Waste Water Management			
23/11/15	ISSUED FOR APPROVAL	1	YH	BY	
DATE	DESCRIPTION	REV.			



**Australian Standard**  
 AS/NZS 1546.1  
 Lic SMK20032  
 SAI Global

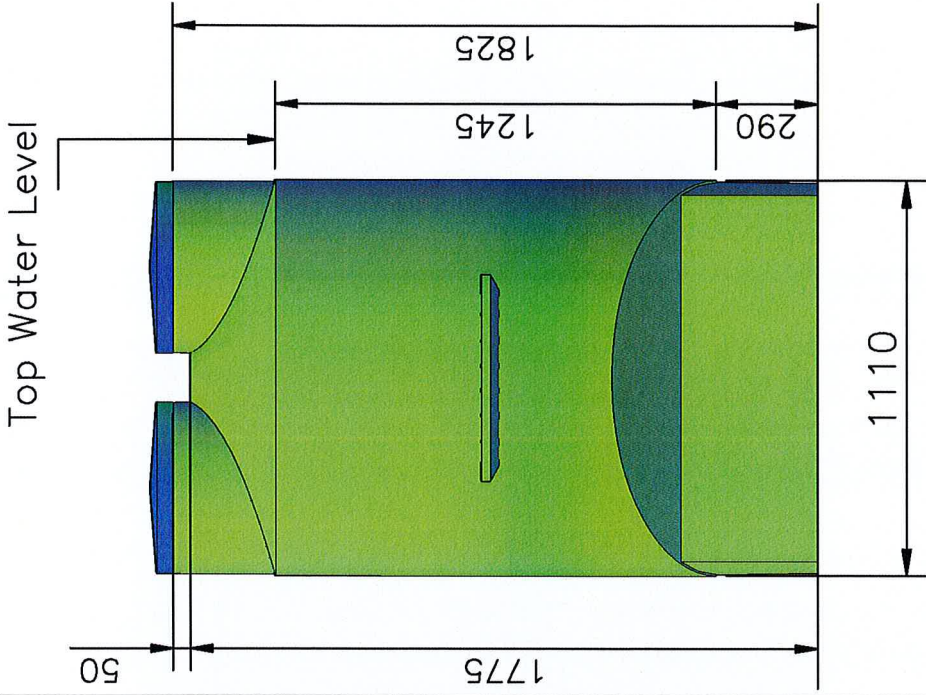
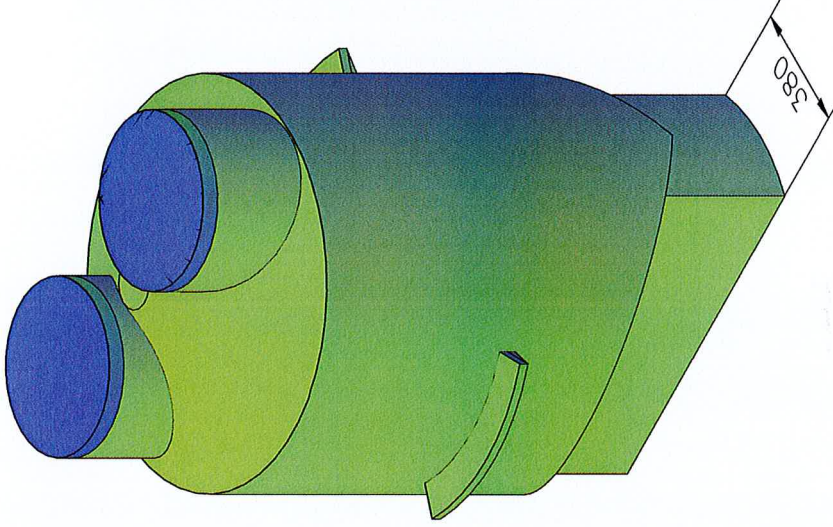
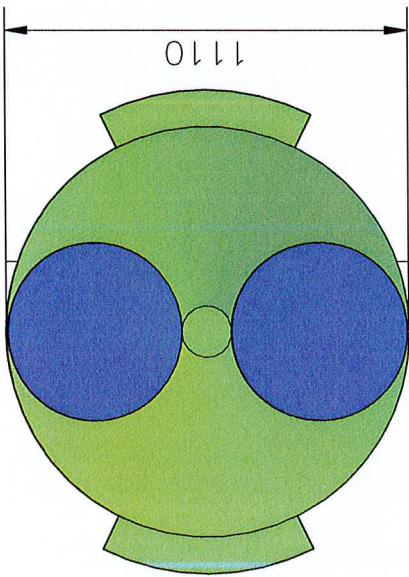
**OZZI KLEEN  
 COLLECTION WELL  
 MODEL PT1000  
 FLAT BASE  
 1,208 LITRE CAPACITY**



Suncoast Waste Water Management

59 INDUSTRIAL AVE KUNDA PARK QLD 4556 PH +61 7 5459 4900 FAX +61 7 5456 4677 www.ozzikleen.com	CLIENT	GENERAL	DESIGN	MC
	PROJECT	COLLECTION WELL PT1000 FLAT BASE	DRAWN	YH
	TITLE	GENERAL DRAWING	CHKD	AP
	DWG NO.	GD-PT1000FB-H10	DATE	23/11/15
			SCALE	NTS

DATE	ISSUED FOR APPROVAL	DESCRIPTION	REV.	BY
23/11/15	1			YH



**Australian Standard**  
 AS/NZS 1546.1  
 Lic SMK20032  
 SAI Global

**OZZI KLEEN  
 COLLECTION WELL  
 MODEL PT1000  
 HOPPER BOTTOM  
 1,225 LITRE CAPACITY**



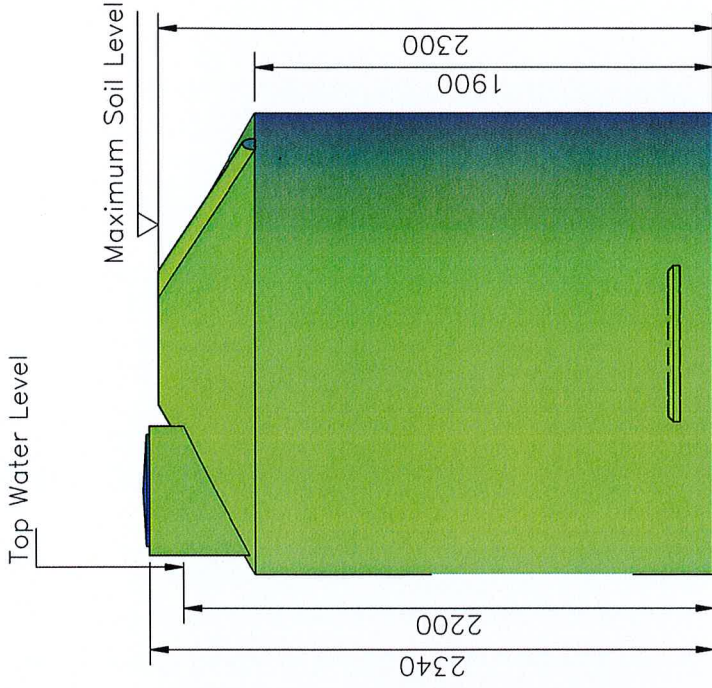
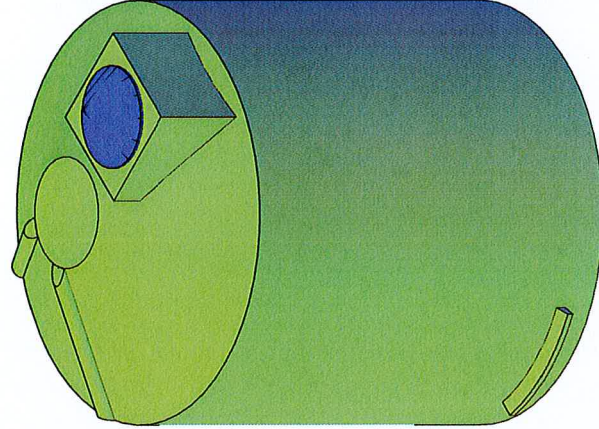
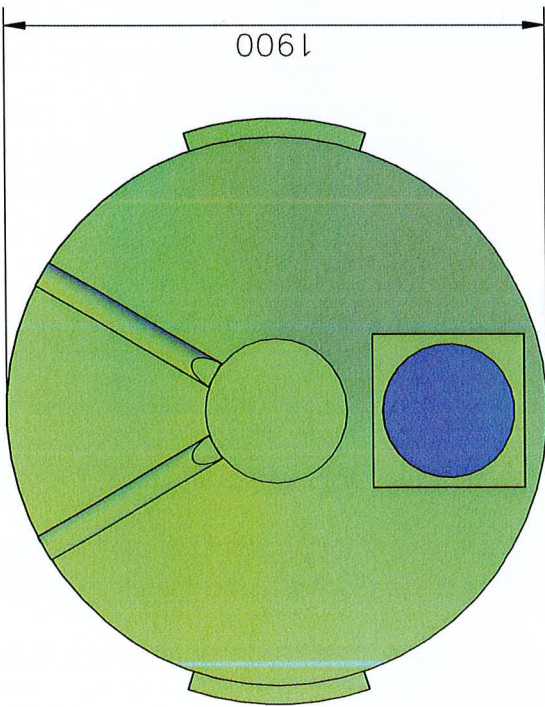
Suncoast Waste Water Management

59 INDUSTRIAL AVE  
 KUNDA PARK  
 QLD 4556  
 Ph: +61 7 5459 9900  
 Fax: +61 7 5459 4977  
 www.ozziclean.com

CLIENT	GENERAL	DESIGN	MC
PROJECT	COLLECTION WELL PT1000 HOPPER BOTTOM	DRAWN	YH
TITLE	GENERAL DRAWING	CHKD	AP
DWG No.	GD-PT1000HB-H10	DATE	23/11/15
		SCALE	NTS

DATE	DESCRIPTION	REV.	BY
23/11/15	ISSUED FOR APPROVAL	1	YH





**Australian Standard**  
 AS/NZS 1546.1  
 Lic SMK20032  
 SAI Global

**OZZI KLEEN  
 COLLECTION WELL  
 MODEL PT5300  
 FLAT BASE  
 5,350 LITRE CAPACITY**

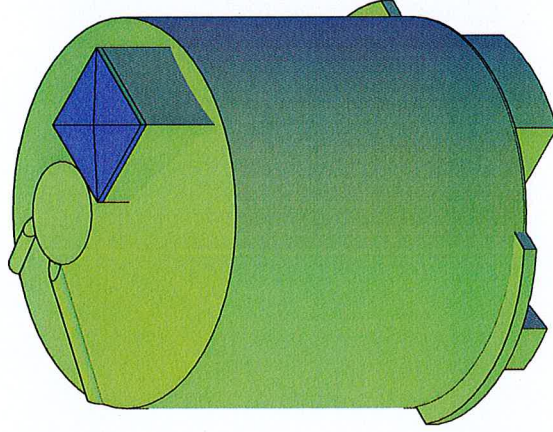
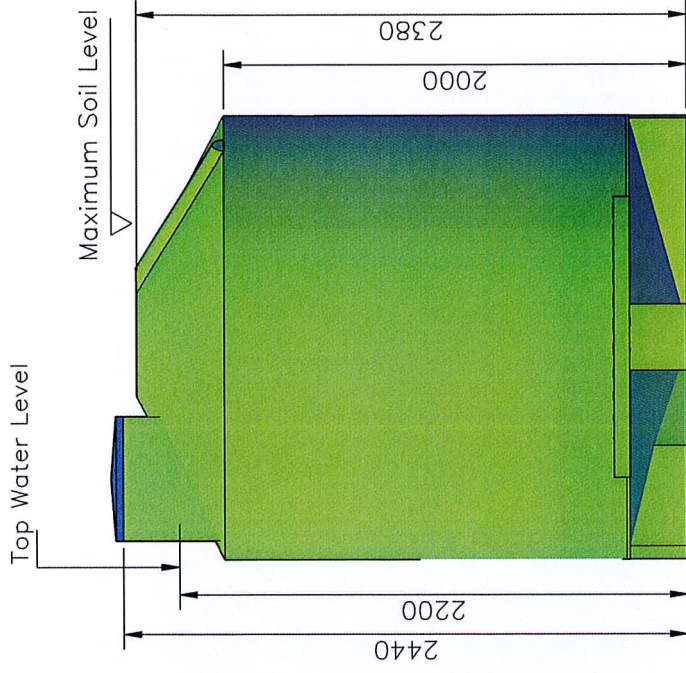
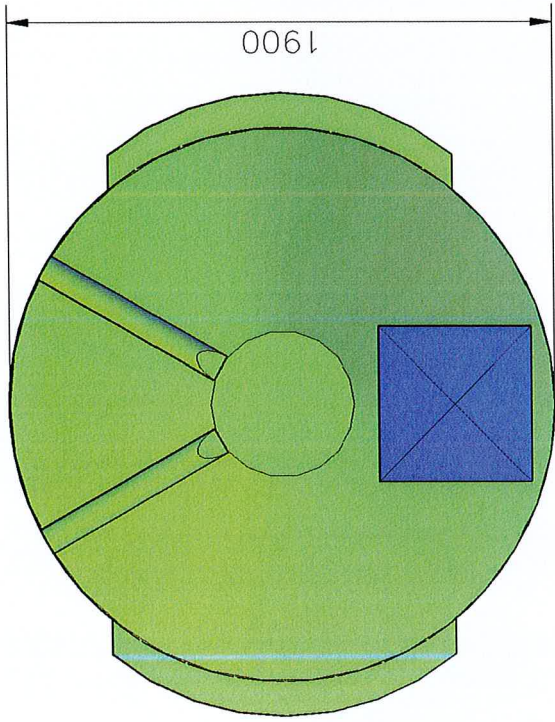


Suncoast Waste Water Management

23/11/15	ISSUED FOR APPROVAL	1	YH
DATE	DESCRIPTION	REV.	BY

60 INDUSTRIAL AVE  
 KUNDA PARK  
 QLD 4556  
 PH +61 7 5459 4900  
 FAX +61 7 5456 4677  
 www.ozziclean.com

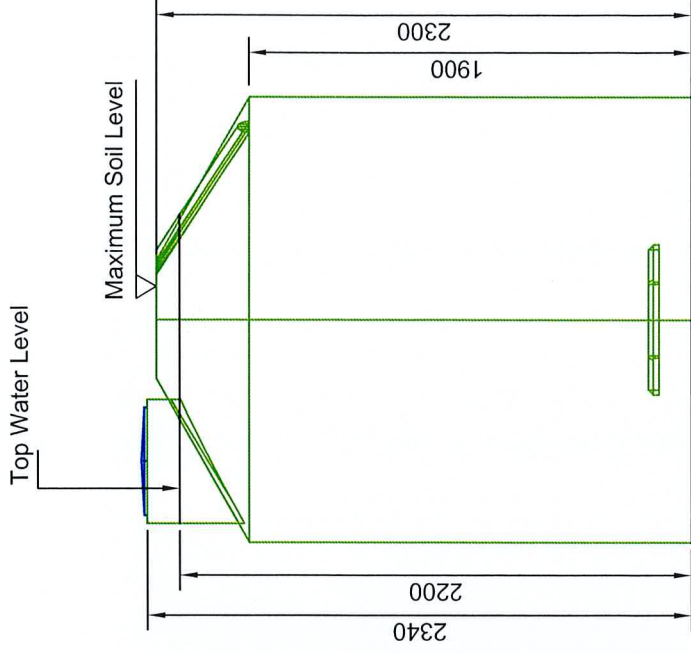
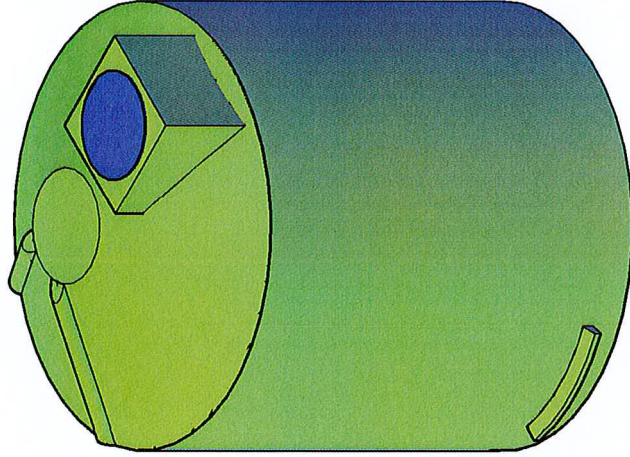
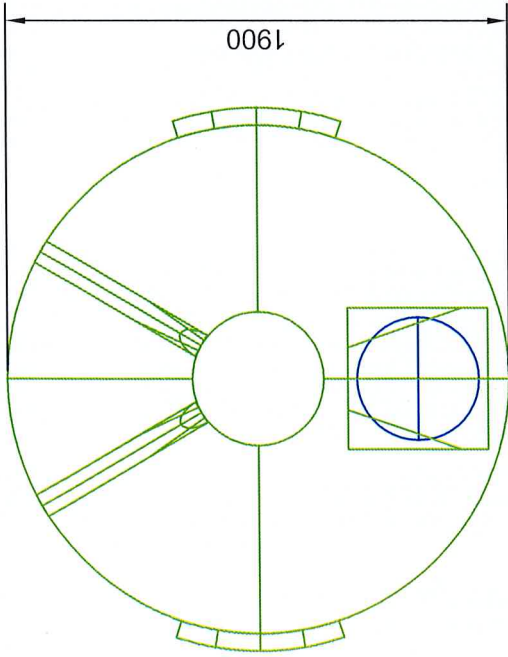
CLIENT	GENERAL	DESIGN	MC
PROJECT	COLLECTION WELL PT5300 FLAT BASE	DRAWN	YH
TITLE	GENERAL DRAWING	CHKD	AP
DWG NO.	GD-PT5300FB-H10	DATE	23/11/15
		SCALE	NTS



**Australian Standard**  
 AS/NZS 1546.1  
 Lic SMK20032  
 SAI Global

**OZZI KLEEN  
 COLLECTION WELL  
 MODEL PT5300  
 HOPPER BASE  
 5,250 LITRE CAPACITY**

23/11/15	ISSUED FOR APPROVAL	1	YH															
DATE	DESCRIPTION	REV.	BY															
												CLIENT GENERAL PROJECT COLLECTION WELL PT5300 HOPPER BASE TITLE GENERAL DRAWING DWG No. GD-PT5300HB-H10		DESIGN MC	DRAWN YH	CHKD AP	DATE 23/11/15	SCALE NTS
Suncoast Waste Water Management																		



**Australian Standard**  
AS/NZS 1546.1  
LIC. SMK8 20032  
**SAI Global**

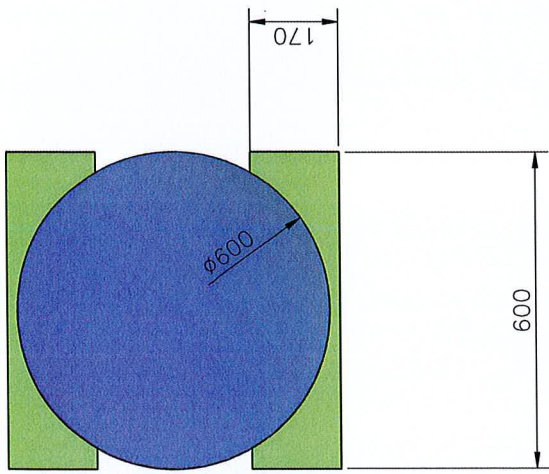
**OZZI KLEEN  
COLLECTION WELL  
MODEL RW5300  
5300 LITRE CAPACITY**



Suncoast Waste Water Management

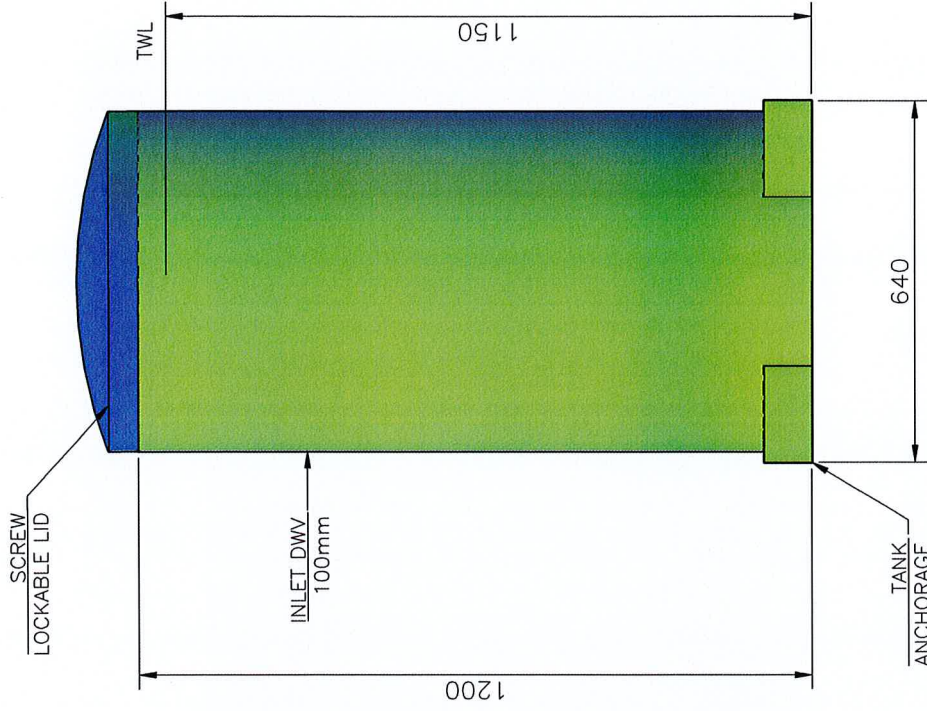
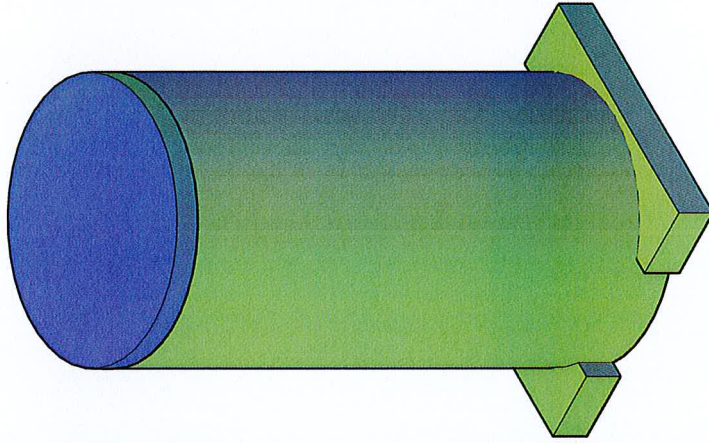
59 INDUSTRIAL AVE KUNDA PARK QLD 4556 PH +61 7 5489 4900 FAX +61 7 5458 4677 www.ozzikleen.com	GENERAL	MC
CLIENT	GENERAL	DC
PROJECT	COLLECTION WELL RW5300	CHKD
TITLE	GENERAL ARRANGEMENT	DATE
DWG NO.	GA-RW5300-H10	SCALE
		NTS

08/08/08	GENERAL REVISION	1	DC
DATE	DESCRIPTION	REV.	BY



**Australian Standard**  
AS/NZS 1546.1  
Lic SMK20032  
SAI Global

**OZZI KLEEN  
COLLECTION WELL  
MODEL PT300  
300 LITRE CAPACITY**

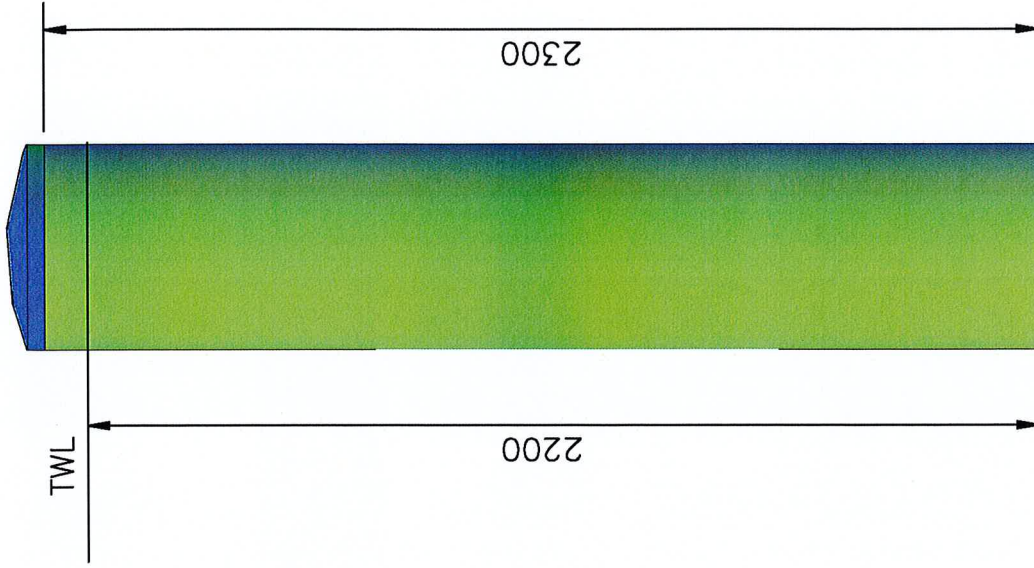
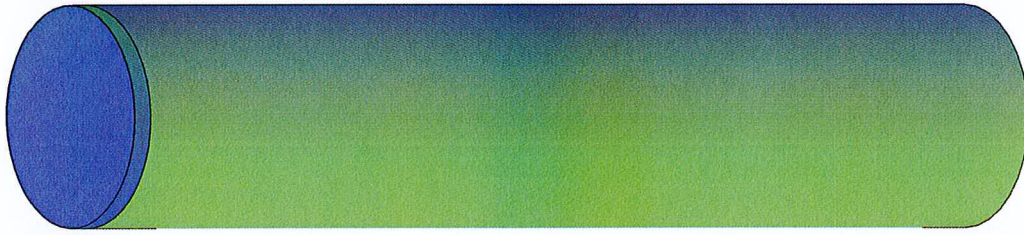
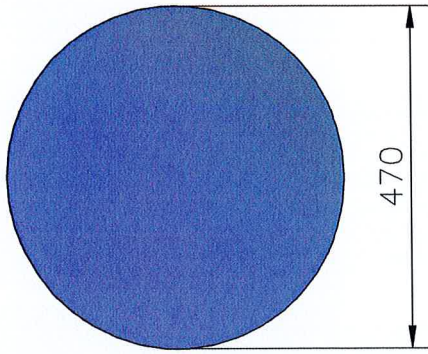


Suncoast Waste Water Management

59 INDUSTRIAL AVE  
KUNDA PARK  
QLD 4550  
PH +61 7 5458 4900  
FAX +61 7 5458 4877  
www.ozziclean.com

CLIENT	GENERAL	DESIGN	MC
PROJECT	COLLECTION WELL PT300	DRAWN	RP
TITLE	GENERAL DRAWING	CHKD	YH
DWG NO.	GD-PT300-H10	DATE	21/10/21
		SCALE	NTS

DATE	DESCRIPTION	REV.	BY
21/10/21	ISSUED FOR APPROVAL	1	RP



**Australian Standard**  
 AS/NZS 1546.1  
 Lic SMK20032  
 SAI Global

**OZZI KLEEN  
 COLLECTION WELL  
 MODEL PT350  
 350 LITRE CAPACITY**

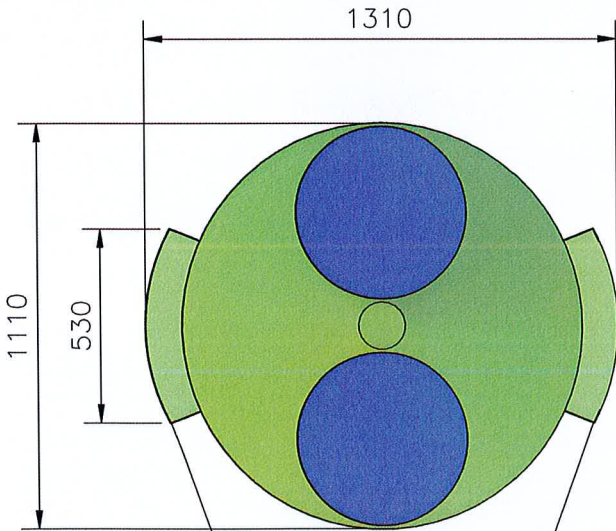


59 INDUSTRIAL AVE  
 KUNDA PARK  
 QLD 4556  
 PH +61 7 5459 4900  
 FAX +61 7 5456 4677  
 www.ozzikleen.com

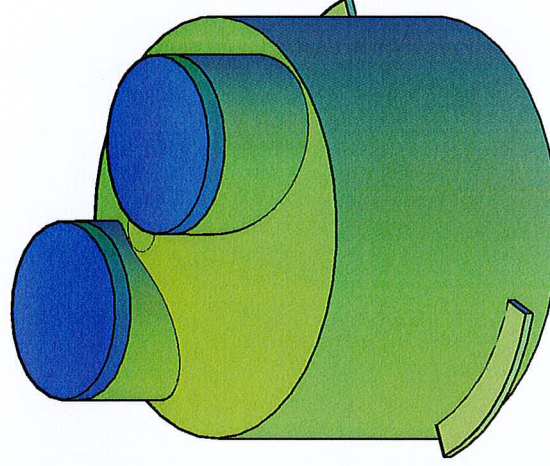
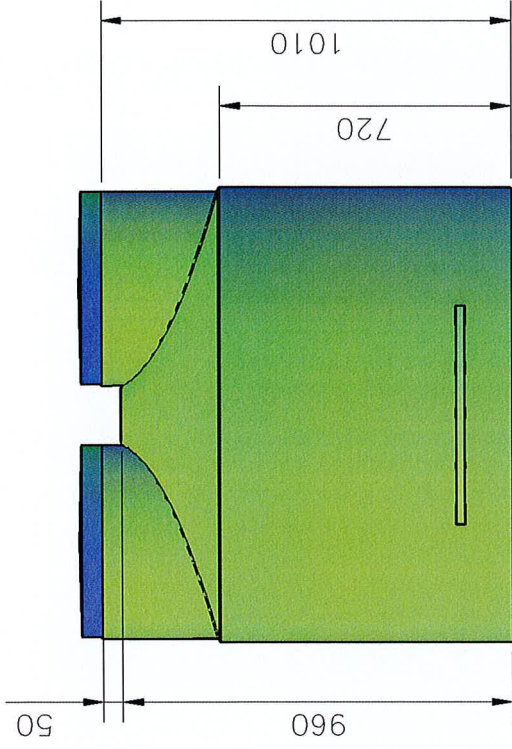
CLIENT	GENERAL	DESIGN	MC
PROJECT	COLLECTION WELL PT350	DRAWN	YH
TITLE	GENERAL DRAWING	CHKD	AP
DWG NO.	GD-PT350-H10	DATE	23/11/15
		SCALE	NTS

Suncoast Waste Water Management

DATE	DESCRIPTION	REV.	BY	YH
23/11/15	ISSUED FOR APPROVAL	1		



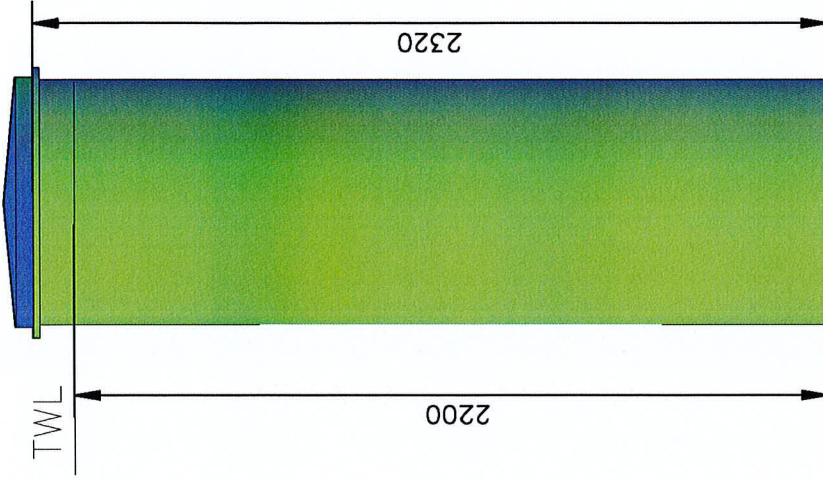
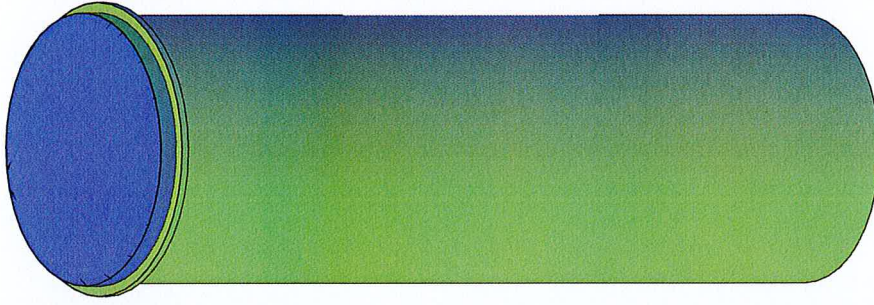
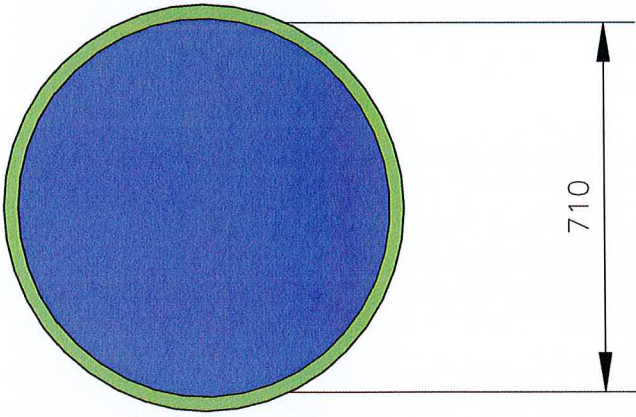
TANK ANCHORAGE  
EXTENSIONS



**Australian Standard**  
AS/NZS 1546.1  
Lic SMK20032  
SAI Global

**OZZI KLEEN  
COLLECTION WELL  
MODEL PT500  
FLAT BASE  
663 LITRE CAPACITY**

DATE		DESCRIPTION		REV.		BY		YH		MC			
15/04/16		ISSUED FOR APPROVAL		1									
				<p>59 INDUSTRIAL AVE KUNDA PARK QLD 4556 PH +61 7 5459 4000 FAX +61 7 5456 4877 www.ozziclean.com</p>				<p>CLIENT GENERAL</p>		<p>DESIGN MC</p>			
<p>Suncoast Waste Water Management</p>				<p>PROJECT COLLECTION WELL PT500 FLAT BASE</p>				<p>DRAWN YH</p>					
				<p>TITLE GENERAL DRAWING</p>				<p>CHKD AP</p>					
				<p>DWG NO. GD-PT500FB-H10</p>				<p>DATE 15/04/16</p>					
								<p>SCALE</p>				<p>NTS</p>	



**Australian Standard**  
 AS/NZS 1546.1  
 Lic SMK20032  
 SAI Global

**OZZI KLEEN  
 COLLECTION WELL  
 MODEL PT850  
 850 LITRE CAPACITY**

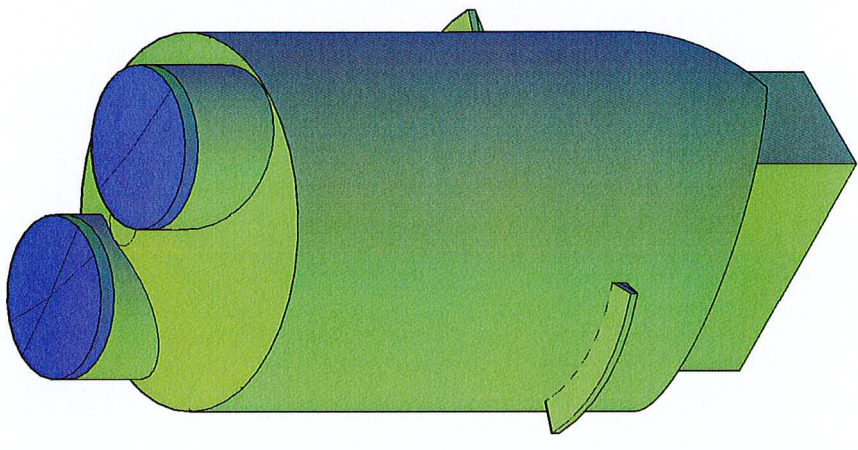
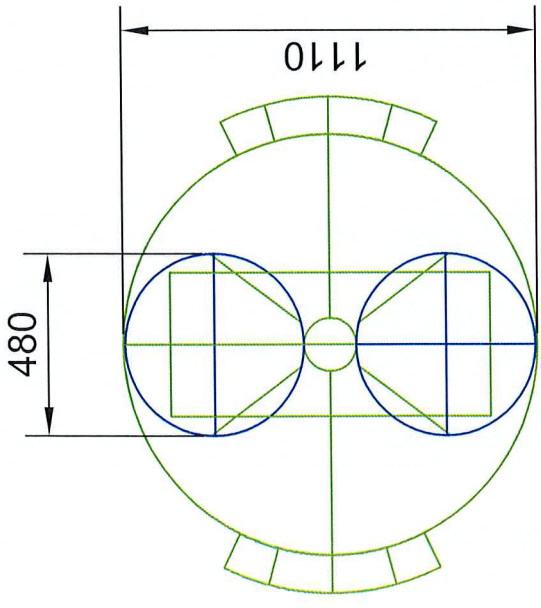


Suncoast Waste Water Management

23/11/15	ISSUED FOR APPROVAL	1	YH	MC
DATE	DESCRIPTION	REV.	BY	
<p>59 INDUSTRIAL AVE          KUNDA PARK          QLD 4556          TEL +61 7 5459 4900          FAX +61 7 5456 4877          www.ozzikleen.com</p>		<p>CLIENT GENERAL</p>		<p>DESIGN</p>
<p>PROJECT COLLECTION WELL PT850</p>		<p>TITLE GENERAL DRAWING</p>		<p>DRAWN YH</p>
<p>DWG No. GD-PT850-H10</p>		<p>SCALE</p>		<p>CHKD AP</p>
<p>DATE 23/11/15</p>		<p>SCALE</p>		<p>DATE 23/11/15</p>
<p>NTS</p>		<p>SCALE</p>		<p>NTS</p>



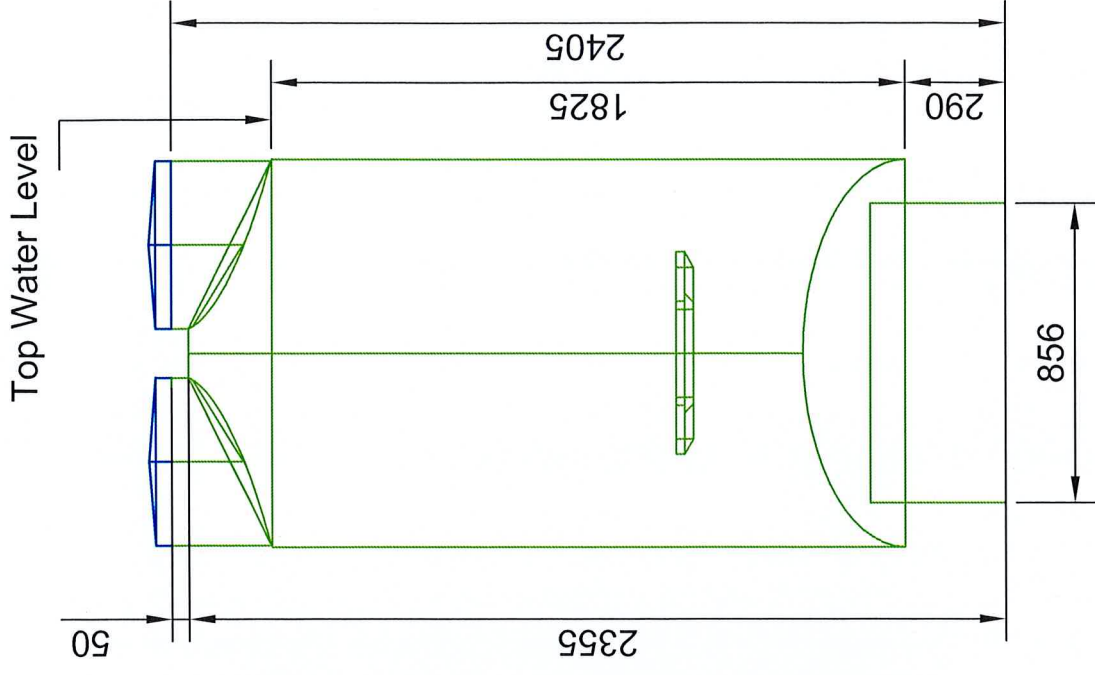




**OZZI KLEEN  
PUMP CHAMBER  
(HOLDING TANK)  
MODEL PS1500  
1640 LITRE CAPACITY**



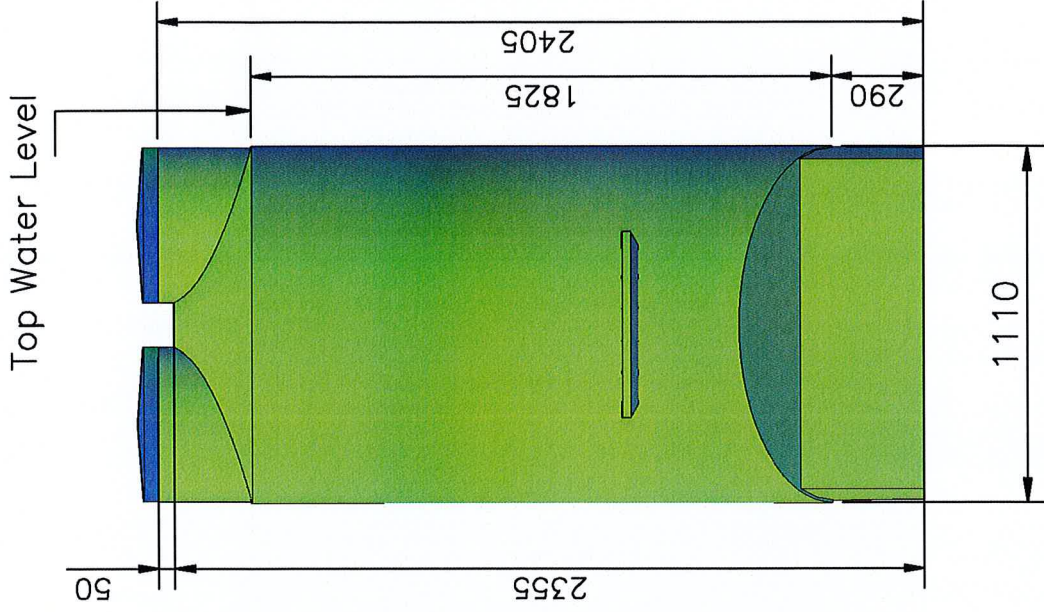
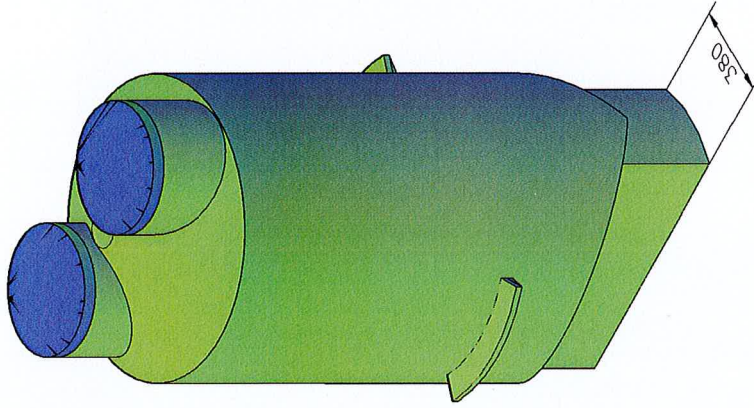
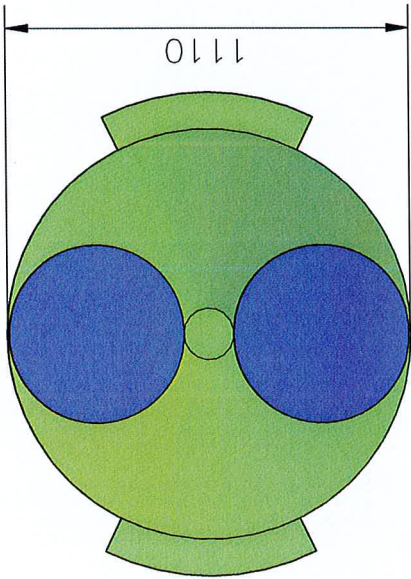
**Australian Standard**  
AS/NZS 1546.1  
Lic. SMK 20032  
**SAI Global**



Top Water Level

DATE	DESCRIPTION	REV.	BY
13/12/13	MODEL NO. REVISED	2	YH
08/08/08	GENERAL REVISION	1	DC

<b>OZZI KLEEN</b> Water & Waste Water		CLIENT GENERAL PROJECT COLLECTION WELL PS1500 TITLE GENERAL ARRANGEMENT DWG NO. CA-PS1500-H10	DESIGN MC DRAWN DC CHKO MC DATE 13/12/13 SCALE NTS
59 INDUSTRIAL AVE KUNDA PARK QLD 4556 PH +61 7 5459 4900 FAX +61 7 5456 4677 www.ozzikleen.com			
Suncoast Waste Water Management			



**Australian Standard**  
 AS/NZS 1546.1  
 Lic SMK20032  
 SAI Global

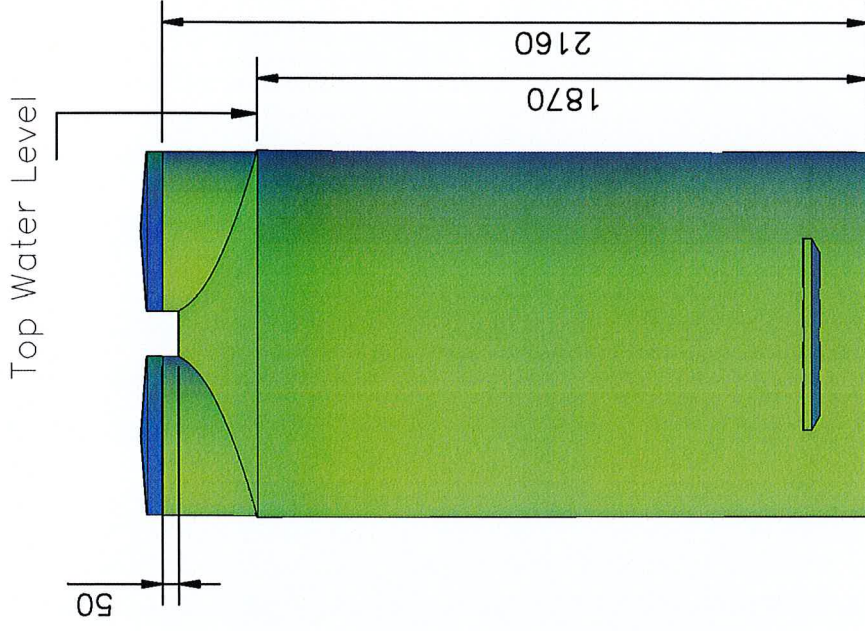
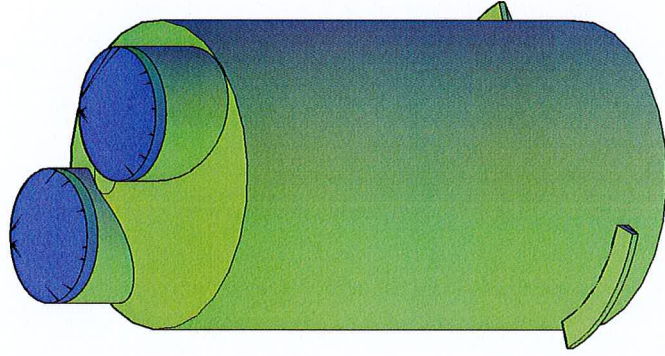
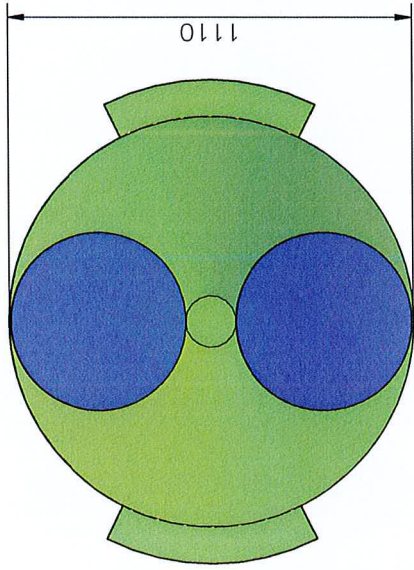
**OZZI KLEEN  
 PUMP CHAMBER  
 (HOLDING TANK)  
 MODEL PT1500  
 HOPPER BOTTOM  
 1640 LITRE CAPACITY**

23/11/15	ISSUED FOR APPROVAL	1	YH
DATE	DESCRIPTION	REV.	BY

59 INDUSTRIAL AVE KUNDA PARK QLD 4556 AUS TEL +61 7 5459 4900 FAX +61 7 5456 4877 www.ozzikleen.com	CLIENT	GENERAL	DESIGN	MC
	PROJECT	COLLECTION WELL PT1500 HOPPER BOTTOM	DRAWN	YH
	TITLE	GENERAL DRAWING	CHKD	AP
	DWG NO.	GD-PT1500HB-H10	DATE	23/11/15
			SCALE	NTS



Suncoast Waste Water Management



**Australian Standard**  
 AS/NZS 1546.1  
 Lic SMK20032  
 SAI Global

**OZZI KLEEN  
 PUMP CHAMBER  
 (HOLDING TANK)  
 MODEL PT1500  
 FLAT BASE  
 1735 LITRE CAPACITY**



Suncoast Waste Water Management

59 INDUSTRIAL AVE KUNDA PARK QLD 4556 PH +61 7 5459 4800 FAX +61 7 5456 4677 www.ozzikleen.com	CLIENT GENERAL	DESIGN MC
	PROJECT COLLECTION WELL PT1500 FLAT BASE	DRAWN YH
	TITLE GENERAL DRAWING	CHKD AP
	DWG NO. GD-PT1500FB-H10	DATE 23/11/15
		SCALE NTS

DATE	DESCRIPTION	REV.	YH	BY
23/11/15	ISSUED FOR APPROVAL	1		