



Certificate of Accreditation

Sewage Management Facility

Septic Tanks & Collection Wells

This Certificate of Accreditation is issued by the Secretary of the NSW Ministry of Health pursuant to Clause 41(1) of the Local Government (General) Regulation 2005.

Manufacturer: Kingspan Water and Energy Pty Ltd

Of: 3 Herbert Place, Smithfield, NSW, 2164

The Kingspan Collection Well as described in the following Schedule have been accredited as a sewage management facility for use in containing the Kingspan BioFicient Series 1 AWTs in single domestic premises in NSW.

*Director, Environmental Health
for Secretary (delegation PH335)*

Issued: 12 March 2019

Certificate No: STCW043

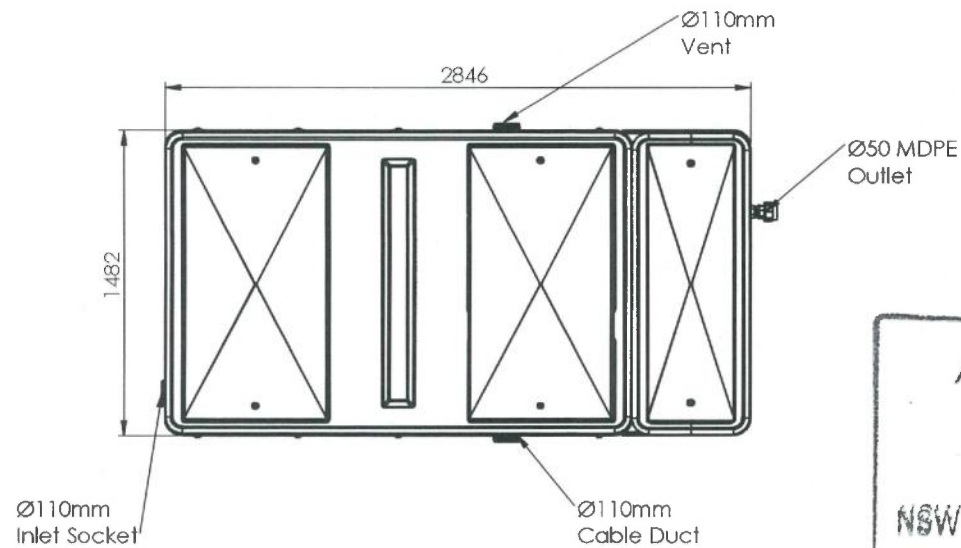
Expires: 31 December 2023



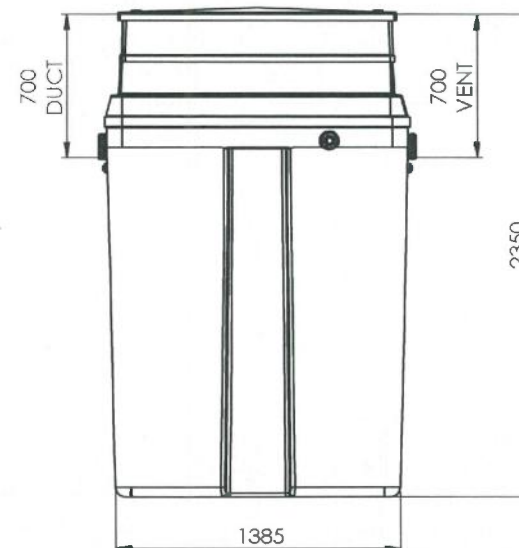
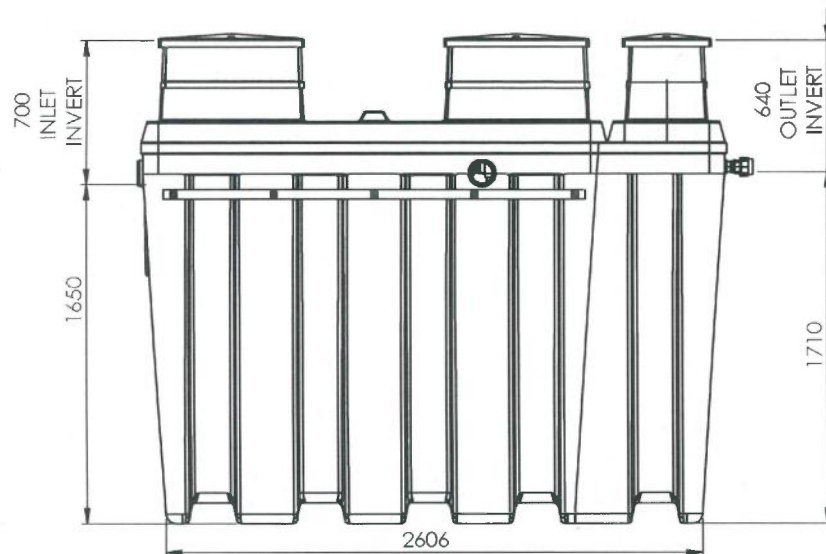
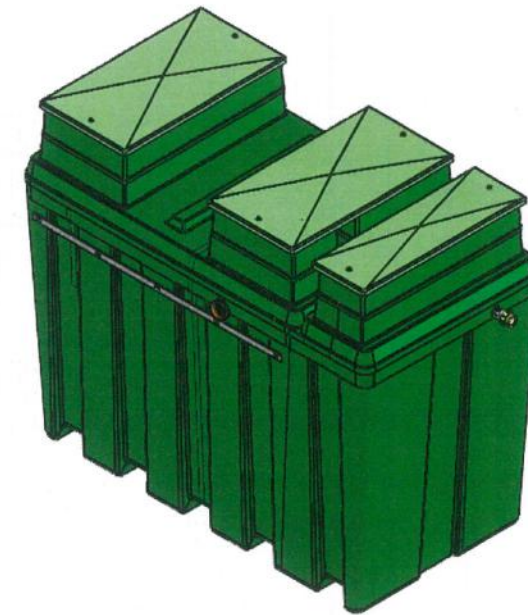
Accreditation Schedule

*The Certificate of Accreditation applies to the following
Collection Well*

| Model | Description | Size |
|-----------------|--------------------------------------------------------------------------------------------------------------------------------------------------------------------------------------------------------------|--------|
| Collection Well | Rectangular fibre reinforced fibreglass with lid, access cover and inlet fitting. Certification applies only to the construction of the tank, lid and access cover. Tested to burial depth of up to 1m | 6900 L |



APPROVED
 1 2 MAR 2019
 NSW MINISTRY OF HEALTH



| | | | | | | | |
|-------------------------------------------------------------------------------|----------|----------|----------------------------|--------------------------------------------------------------------------------------------------------------------------------------------------------------------------------------------------------------------------|-------------------------------|----------------------------------------|-------------|
| Please Check with Kingspan Environmental For The Latest Issue Of This Drawing | | | | Material : Various | Tolerance (unless stated) : | Drawing : SK825 | Page 1 of 1 |
| Issue | Date | Drawn by | Approved by | Finish : | Thickness : n/a | | |
| 01 | 14/06/18 | W.DYER | | Weight : 353357.23 Kg | Surface Area : m ² | AU SAF Unit For Testing - 700mm Invert | |
| All Dimensions In mm | | | Scale: Do Not Scale | Kingspan Environmental reserve the right to alter the details of this drawing without prior notice. This drawing is copyright and may not be reproduced or used without the written permission of Kingspan Environmental | | | |
| Z:\Drawing Data\06 - Sketches\SK825\SK825 | | | Third Angle Projection | | | | |