



Certificate of Accreditation

Sewage Management Facility

Septic Tanks & Collection Wells

This Certificate of Accreditation is issued by the Secretary of the NSW Ministry of Health pursuant to Clause 41(1) of the Local Government (General) Regulation 2005.

Manufacturer: *Ecoflo Wastewater Management Pty Ltd*

Of: *25 Shannon Place, Virginia, QLD, 4014*

The Ecoflo Septic Tank as described in the following Schedule has been accredited as a sewage management facility for use in single domestic premises in NSW.

*A/Director, Environmental Health
for Secretary (delegation PH335)*

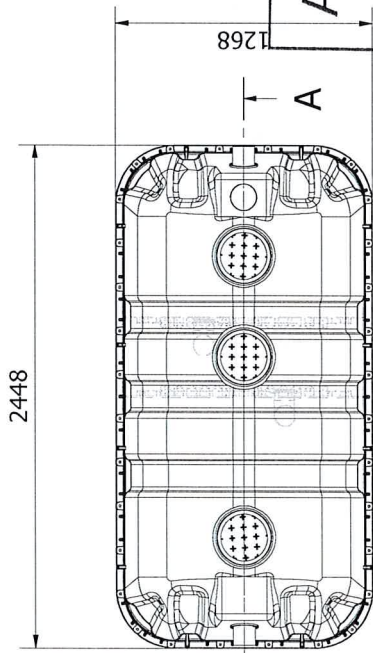
Issued: *10/11/2021*
Certificate No: *STCW047*
Expires: *31 December 2026*



Accreditation Schedule

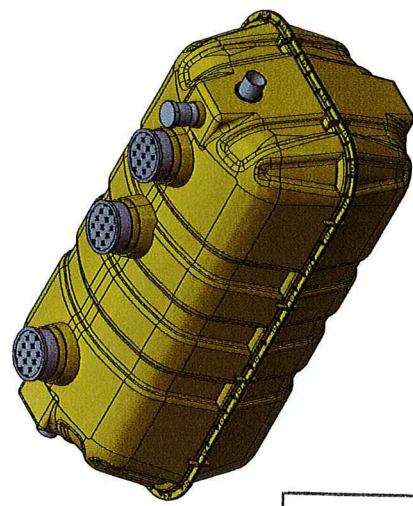
*The Certificate of Accreditation applies to the following
Septic Tanks and Collection Wells*

Model	Description	Working Capacity
Septic Tank	SMC horizontal axis with lid, access covers, inlet and outlet fittings, and dual baffles. Burial depth of the tank lid is restricted to 0 mm	2300 L

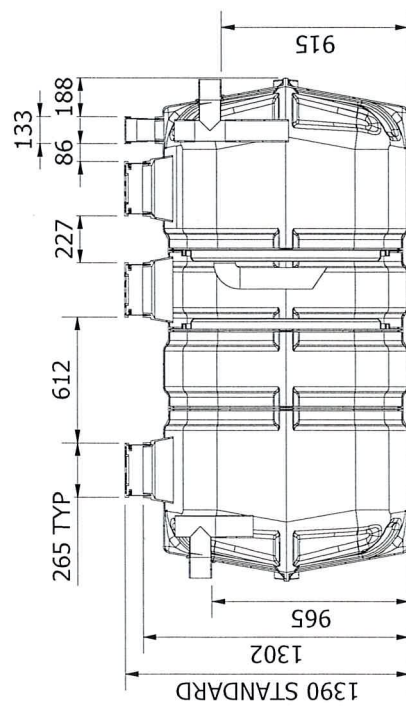


TOP VIEW

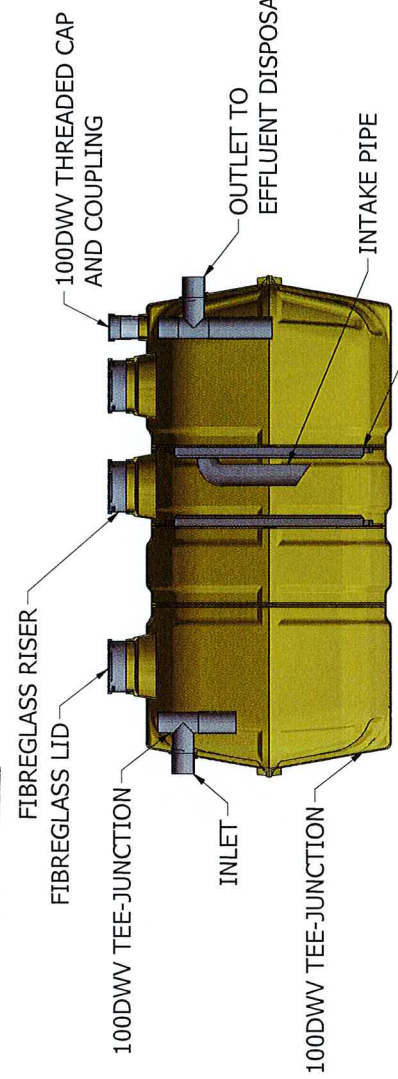
ACCREDITED
 10 NOV 2021
 NSW MINISTRY OF HEALTH



ISO VIEW



A-A (1 : 25)



LABEL VIEW

WORKING CAPACITY: 2300L
 TOTAL CAPACITY: 2500L

REV	0	ISSUED FOR CONSTRUCTION	2/11/2021	CMT	DESCRIPTION	DATE	BY
Designed by: CMT		Date: 2/11/2021	Checked by: GM		Date: 2/11/2021	Client: NSW MINISTRY OF HEALTH	
© COPYRIGHT ECOFLO IF IN DOUBT ASK DO NOT SCALE ALL DIMS IN mm U.N.O. AS1100						DWG Title: SEPTIC TANK ASSEMBLY	
		Job No:		DWG No:		Rev: 0	
						ST-A-01	
						2:10.0 R&D 19.1 Greywater Septic Tank/Septic tank assembly v01Septic tank Lid Inlet, outlet tubes.dwg	