



Certificate of Accreditation

Sewage Management Facility

Septic Tanks & Collection Wells

This Certificate of Accreditation is issued by the Secretary of the NSW Ministry of Health pursuant to Clause 41(1) of the Local Government (General) Regulation 2005.

System: **Rotoplas Pump Well Series**

Manufacturer: **Rotoplas (Aust) Pty Ltd**

Of: **8 Prince of Wales Ave, Unanderra, NSW, 2526**
PO Box 117, Unanderra, NSW, 2526

The Rotoplas Pump Well Series as described in the attached Schedule have been accredited as sewage management facilities for use in single domestic premises in NSW. The collection wells are manufactured to the Australian / New Zealand Standard AS/NZS 1546.1:2008 "On-site domestic wastewater treatment units - septic tanks".


A/Director, Environmental Health
for Secretary (delegation PH335)

Issued: 30 / 11 / 2021

Certificate No: STCW048

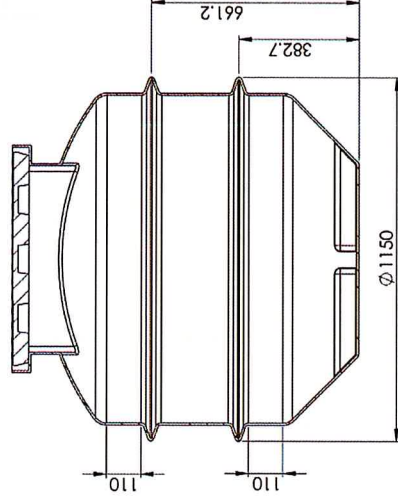
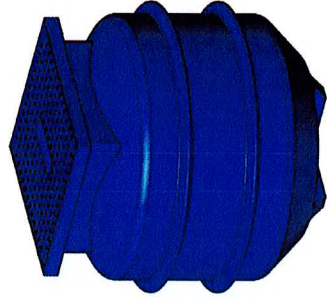
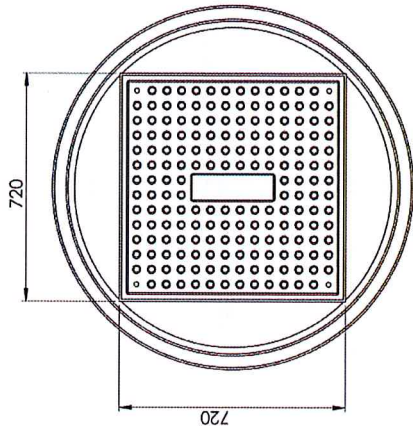
Expires: 31 December 2025



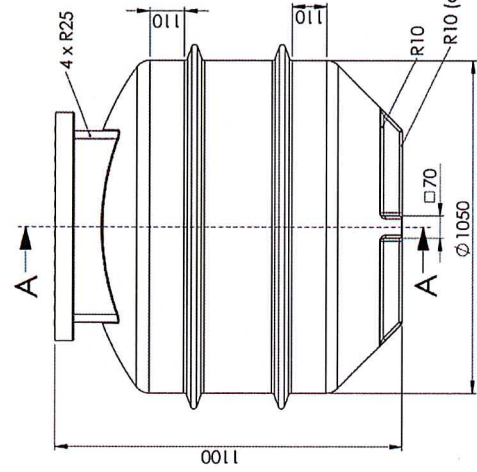
Accreditation Schedule

The Certificate of Accreditation applies to the following range of collection wells in accordance with the attached plans.

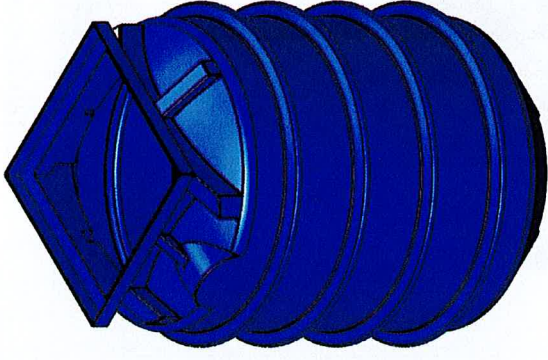
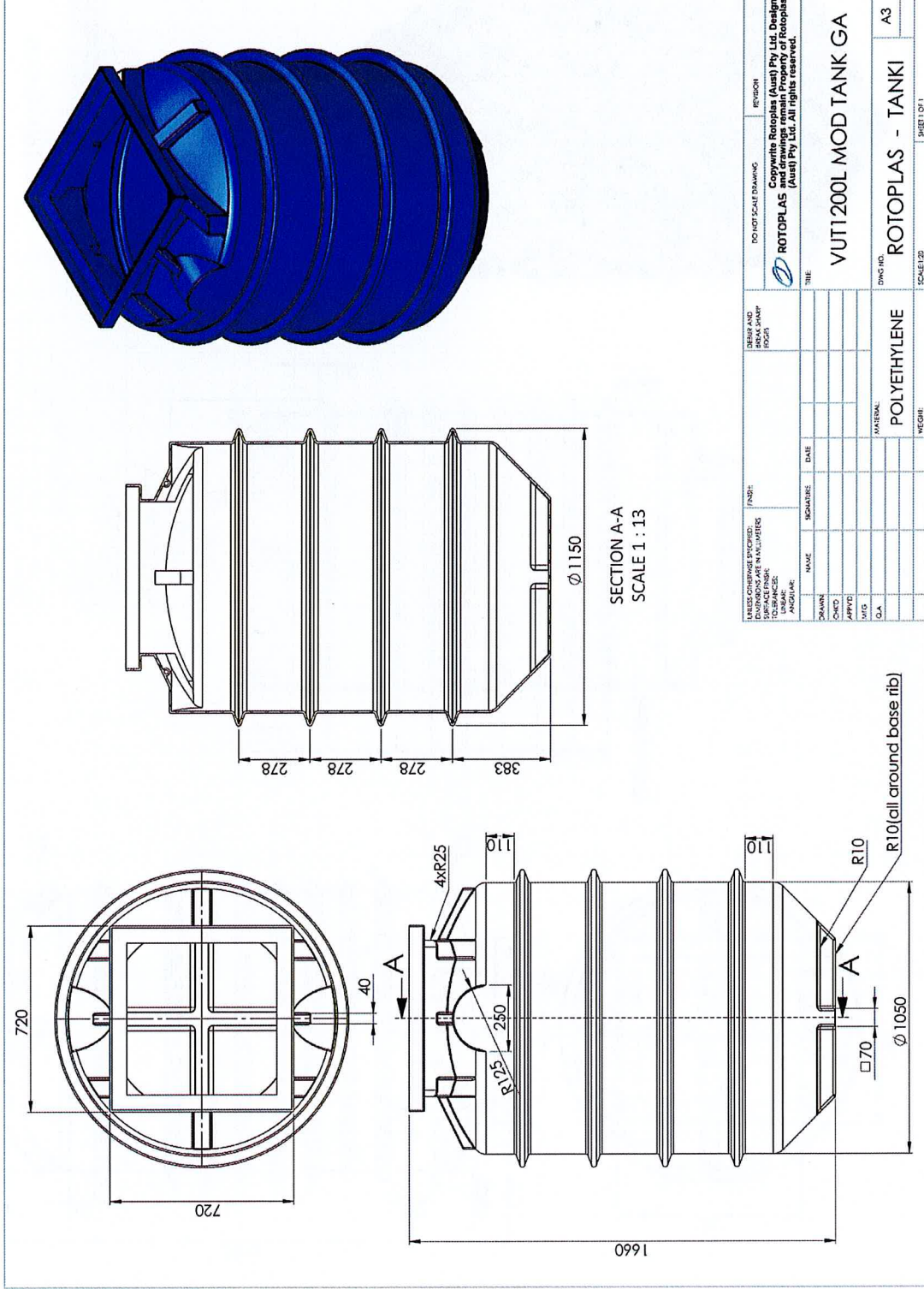
Model	Description	Size
Pump Well	Vertical axis type, cylindrical rotomoulded polyethylene tanks, with lid, access cover and inlet fitting. Certification applies only to the construction of the tank, lid and access cover. It does not include internal fittings or partitions.	250 L 700 L 1200 L 1600 L 2000 L 3000 L 5000 L



SECTION A-A
SCALE 1 : 12



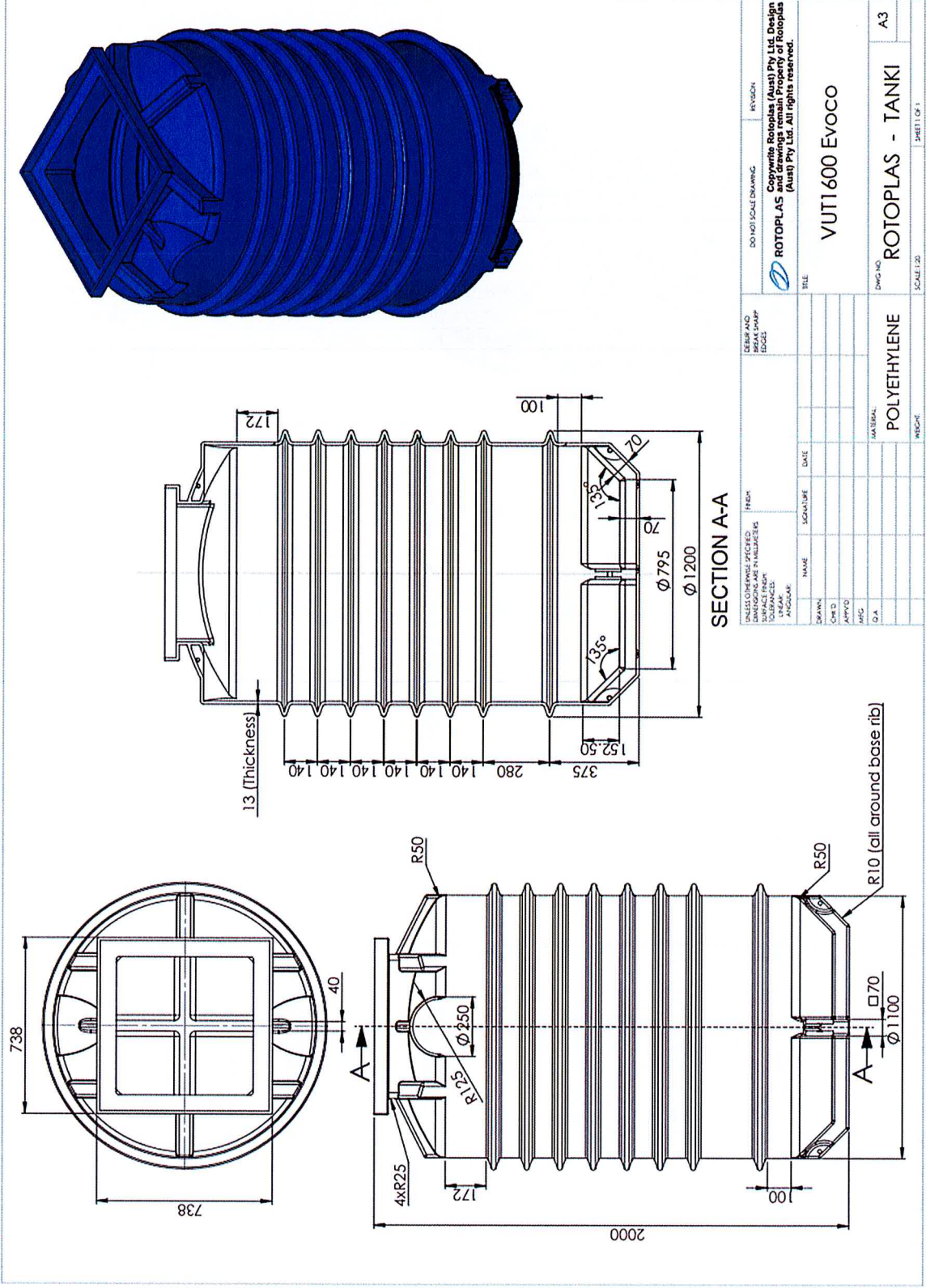
UNLESS OTHERWISE SPECIFIED: DIMENSIONS ARE IN MILLIMETERS TOLERANCES: ANGULAR		FINISH	DATE		DOWNSCALE DRAWING		REVISION
DRAWN	CHECKED	APPROVED	DATE	SCALE	BY	DATE	NO.
MATERIAL:				POLYETHYLENE			
SPEC. NO.				VUT700L MOD TANK GA			
SCALE:				1:12			
DRAWN BY:				DESIGNED BY:			
CHECKED BY:				APPROVED BY:			
DATE:				DATE:			
PROJECT:				PROJECT:			
SHEET NO.				SHEET 1 OF 1			
SHEET TOTAL				SHEET TOTAL			
DRAWING NO.				DRAWING NO.			
SCALE:				SCALE:			
MATERIAL:				MATERIAL:			
SPEC. NO.				SPEC. NO.			
SCALE:				SCALE:			
DRAWN BY:				DRAWN BY:			
CHECKED BY:				CHECKED BY:			
APPROVED BY:				APPROVED BY:			
DATE:				DATE:			
PROJECT:				PROJECT:			
SHEET NO.				SHEET NO.			
SHEET TOTAL				SHEET TOTAL			
DRAWING NO.				DRAWING NO.			
SCALE:				SCALE:			
MATERIAL:				MATERIAL:			
SPEC. NO.				SPEC. NO.			
SCALE:				SCALE:			



UNLESS OTHERWISE SPECIFIED: DIMENSIONS ARE IN MILLIMETERS TOLERANCES: ANGULAR:		FINISH:	DESIGN AND BREAK SHARP EDGES	DO NOT SCALE DRAWING	REVISION
DRAMAN	NAME	SCHEDULES	DATE	TITLE	VUTI200L MOD TANK GA
CHNO	DATE				
APPRD					ROTOPLAS - TANKI
DATE					
DWG NO.					DWG NO.
					A3
					MATERIAL
					POLYETHYLENE
					WEIGHT
					SCALE: 1:20
					SHEET 1 OF 1

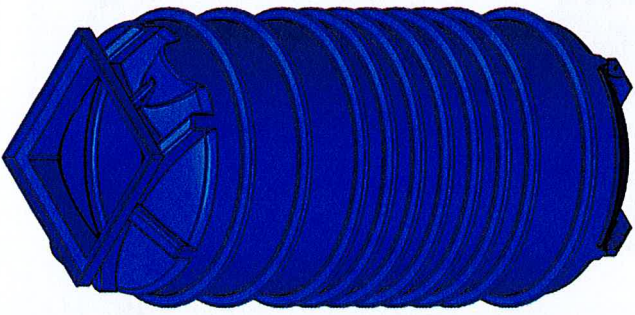
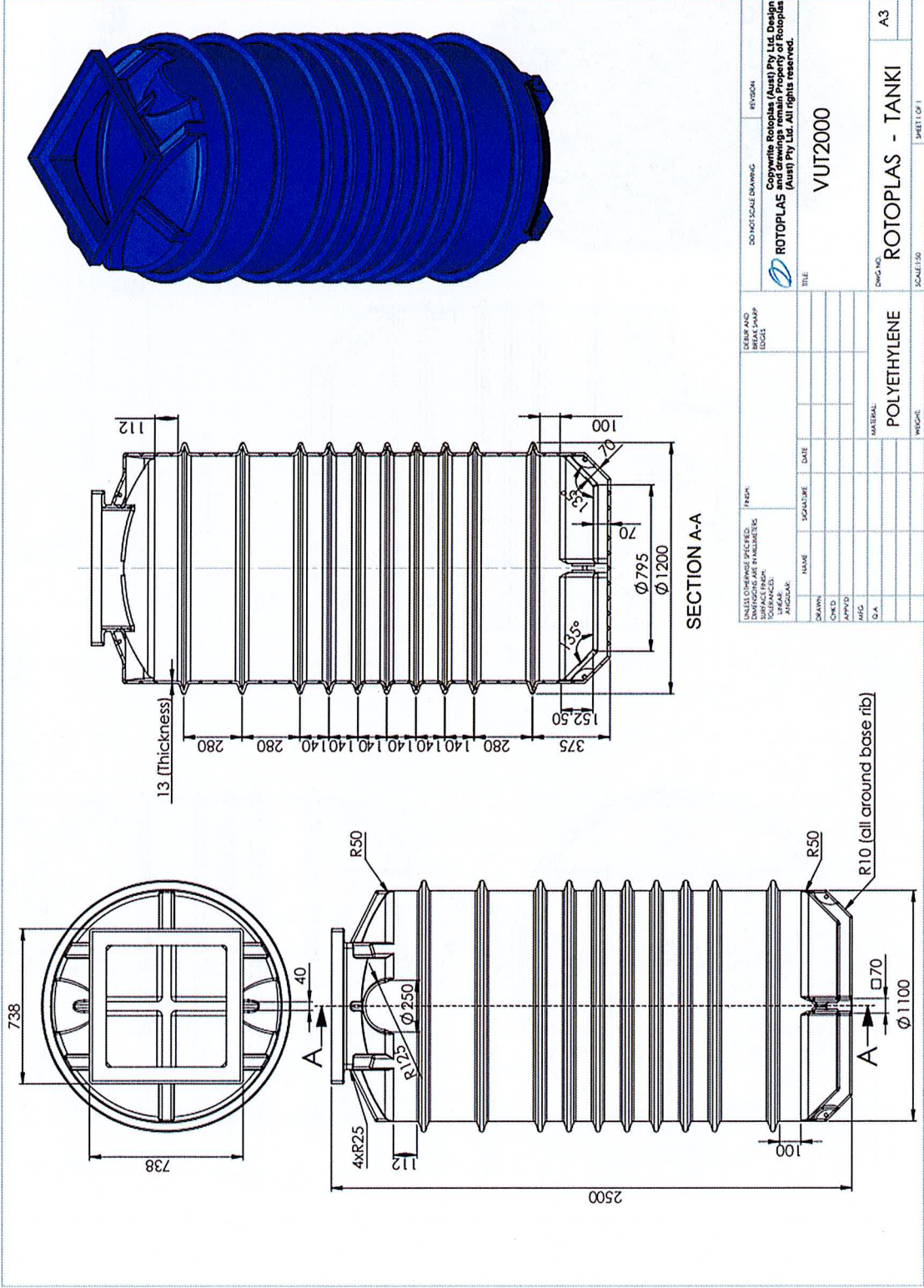


ROTOPLAS®



SECTION A-A

UNLESS OTHERWISE SPECIFIED, DIMENSIONS ARE IN MILLIMETRES			REVISION		
SURFACE FINISH UNLESS SPECIFIED			DO NOT SCALE DRAWING		
LINES TO BE HIDDEN BY OTHER LINES SHOULD BE SHOWN WITH DASHES			COPYRIGHT ROTODPLAS (AUST) PTY LTD. DESIGN AND DRAWINGS REMAIN PROPERTY OF ROTODPLAS (AUST) PTY LTD. ALL RIGHTS RESERVED.		
APPROPRIATE DIMENSION LINE SHOULD BE USED			TITLE		
DRWN	CHKD	DATE	BY	VUT1 600 Evoco	
APP'D	SIGNATURE		MATERIAL		
ENG	DATE		POLYETHYLENE		
SCALE 1:20			DWG NO		
WEIGHT			ROTOPLAS - TANKI		
SHEET 1 OF 1			A3		



DO NOT SCALE DRAWING		REVISION
 ROTOPLAS Copyright Rotoplas (Aust) Pty Ltd. Design and drawings remain Property of Rotoplas (Aust) Pty Ltd. All rights reserved.		VUT2000
TITLE		DWG. NO.
DESIGN AND BREAK SHARP EDGES		MATERIAL
UNLESS OTHERWISE SPECIFIED: DIMENSIONS ARE IN MILLIMETERS DIMENSIONS IN BRACKETED ARE FOR INFORMATION ONLY DIMENSIONS IN PARENTHESES ARE FOR INFORMATION ONLY		POLYETHYLENE
DRAWN CHECKED APPLIED APPROVED G.A.	NAME SIGNATURE DATE	SCALE: 1:50 SHEET 1 OF 1
ROTOPLAS - TANKI		A3

