



Certificate of Accreditation

Sewage Management Facility

Aerated Wastewater Treatment System

Advanced Secondary Effluent

This Certificate of Accreditation is issued by the Secretary of the NSW Ministry of Health pursuant to Clause 41(1) of the Local Government (General) Regulation 2005.

System: *Everhard Aqua Advanced Concrete (8Ep) AWTS*

Manufacturer: *Everhard Industries Pty Ltd*

Address: *454 Newman Road, Geebung, QLD, 4034*

The Everhard Aqua Advanced Concrete AWTS as described in Schedule A, has been accredited as a sewage management facility in accordance with the Secondary Treatment System Accreditation Guideline 2018 for use in single domestic premises in NSW. This Accreditation is subject to the conditions and permitted uses specified in Schedule B.

*A/Director, Environmental Health
for Secretary (delegation PH335)*

Issued: *11 December 2020*

Certificate No: *STS-AWTS054*

Expires: *31 December 2025*

Schedule A: Specification / Description of the Everhard Aqua Advanced Concrete AWTS

Name and Model of STS: Everhard Aqua Advanced Concrete Aerated Wastewater Treatment System

The Aqua Advanced Concrete AWTS is designed to treat sewage from a residential dwelling occupied by a maximum of 8 persons.

The Aqua Advanced Concrete AWTS is contained in collection well with design capacity of 3985 L. The NSW Health Accreditation Number is STCW033.

| Chamber | Design capacities |
|---------------------------------|-------------------|
| Primary treatment | 1763 L |
| • Partition | yes |
| Secondary treatment | |
| • Aeration chamber | 942 L |
| • Clarifier | 671 L |
| • Irrigation chamber | 1142 L |
| Emergency storage | 1142 L |
| Operational water level (depth) | (mm) |
| • primary | 1537 |
| • secondary | 1537 |

The emergency storage capacity is achieved by the height of the irrigation chamber being 558mm above the operational water level. The height of the irrigation chamber exceeds the height of the other chambers to avoid contamination of untreated effluent.

The Aqua Advanced Concrete AWTS is contained in one concrete tank having the following components:

- Primary treatment tank - Sewage from the dwelling flows into the primary treatment tank where a physical separation of foreign material such as fat, grease and scum occur and allows for a reduction in BOD and TSS concentrations.
- Aeration chamber – Primary treated wastewater flows into the aeration chamber where aeration is cycled continually to assist denitrification of the nitrogen oxides in the wastewater. The media in the chamber provides a surface area for the growth of bacteria to allow for the bio-degradation of organic material in the wastewater.
- Clarifier – Treated wastewater is transferred into the clarifier allowing for the removal of settled solids. The solids are transferred to the primary treatment tank by way of an airlift device.
- Disinfection – A chlorine disinfection unit is installed on the inlet of the irrigation chamber.
- Air Supply – Air is supplied to the contact aeration chamber by two XP-80 air blowers or equivalent, producing an airflow of a nominal 80 litres/minute. The air is distributed via a manifold to aeration diffusers located near the base of the aeration chamber and airlift devices located in the clarifier. The two airlift devices continually return partially treated wastewater and settled solids to the inlet of the primary treatment tank.
- A Davey model D25 submersible irrigation pump or equivalent is installed in the irrigation chamber.
- Alarm System: With the failure of any critical component the alarm is activated in both visual and audible modes. After muting the alarm sounds again after 24 hours.

Schedule B: Conditions of Accreditation

1. General

- 1.1 Prior to installation the owner/occupier of the premises shall make an application, in accordance with Clause 26 of the *Local Government (General) Regulation 2005*, to the local council for approval to install and operate the Aqua Advanced Concrete AWTS as a Sewage Management Facility in accordance with Section 68, Part C of the *Local Government Act 1993*.

- 1.2 The local council shall apply those Conditions of Accreditation, appropriate to the owner / occupier, to any approval to operate the Aqua Advanced Concrete AWTS issued under Clause 45(4), *Local Government (General) Regulation 2005*.
- 1.3 In accordance with Clause 36 of the *Local Government (General) Regulation 2005*, the Aqua Advanced Concrete AWTS shall have an expected service life of 5 years in the case of mechanical and electrical components and 15 years in the case of other components.
- 1.4 The owner / occupier shall ensure that the Aqua Advanced Concrete AWTS is installed or constructed:
- in accordance with the accredited specifications of the type tested unit and in accordance with good trade practice, and
 - so as to allow ease of access for maintenance, and
 - with regard to the health and safety of users, operators and persons maintaining the facility, and
 - must be installed or constructed so as to make appropriate provision for access to and removal of contents in a safe and sanitary manner, and
 - must, if it is intended to be a permanent fixture, be anchored to prevent movement.
- 1.5 The manufacturer / supplier shall ensure that the Aqua Advanced Concrete AWTS is supplied, constructed and installed in accordance with the design (including the disinfection unit) as submitted and accredited by the NSW Ministry of Health. The Aqua Advanced Concrete AWTS shall not be modified or altered except that alternate individual mechanical and electrical components such as pumps, PLCs, etc, may be substituted provided that the component meets the accredited design specification.
- 1.6 Any permanent modification or variations to the Accredited design of the Aqua Advanced Concrete AWTS shall be submitted for separate consideration and variation of the Certificate of Accreditation by the NSW Ministry of Health. Modifications will be considered in accordance with section 2.3.13 of AS1546.3:2017.
- 1.7 Each Aqua Advanced Concrete AWTS shall be permanently and legibly marked by the manufacturer in accordance with section 3 of AS1546.3:2017.
- 1.8 The manufacturer shall supply with each Aqua Advanced Concrete AWTS an owner's manual, which sets out the care, operation, maintenance and on-going management requirements of the system. The owner's manual prepared by the manufacturer shall specifically contain a plan for the on-going management of the Aqua Advanced Concrete AWTS. The plan shall include details of:
- the treatment process,
 - procedures to be followed in the event of a system failure,
 - emergency contact numbers,
 - maintenance requirements,
 - inspection and sampling procedures to be followed as part of any on-going monitoring program developed by the local authority.
- 1.9 The manufacturer shall provide the following information to each local council where it is intended to install an Aqua Advanced Concrete AWTS in their area once Ministry Accreditation has been obtained:
- | | |
|-----------------------------------|--------------------------------------|
| • Statement of warranty | • Manufacturer's Service Report Form |
| • Statement of service life | • Engineering Drawings |
| • Quality Assurance Certification | • Specifications |
| • Installation Manual | • A4 Plans |
| • Service Manual | • Certificate of Accreditation |
| • Owner's Manual | documentation from NSW Health. |
- The manufacturer need not provide the above information to the local council where the information or document is contained on the manufacturer's web site.

2. Installation and Commissioning

- 2.1 The owner / occupier shall have the Aqua Advanced Concrete AWTS inspected and checked by the manufacturer or the manufacturer's agent. The manufacturer or the agent is to certify that the system

has been installed and commissioned in accordance with its design, conditions of Accreditation and any additional requirements of the local council.

- 2.2 The owner / occupier shall ensure that all electrical work is carried out on the Aqua Advanced Concrete AWTS by a licensed electrician and in accordance with the relevant provisions of AS/NZS 3000.
- 2.3 The owner / occupier shall not commission the Aqua Advanced Concrete AWTS unless the land application system has been completed.

3. Maintenance

3.1 The owner / occupier of the premises shall enter into a minimum 12-month contract or agreement with a service agent and ensure that the Aqua Advanced Concrete AWTS is serviced:

- in accordance with the manufacturer's / supplier's service manual and using the manufacturer's / supplier's service sheet; and
- by a service agent who
 - has completed a course on the servicing and maintenance of STS; and has some supervised servicing experience or extensive un-supervised experience;
 - is employed or authorised by the manufacturer / supplier of the Aqua Advanced Concrete AWTS;
 - uses replacement parts which meet the minimum specification of the Aqua Advanced Concrete AWTS;
 - has advised of their name, contact details and credentials to the local council;
 - submits a completed NSW Health "Local Council Service Report" (attached) to the local council immediately after each and every service;
 - shall report to the local council any instances where the owner / occupier refuses to authorise repairs, replacement of parts or maintenance; and
 - does not perform electrical work or enter confined spaces unless trained and is suitably qualified to do so.

3.2 The owner/occupier shall not service the Aqua Advanced Concrete AWTS unless they are an authorised agent.

3.3 The Aqua Advanced Concrete AWTS once installed and commissioned shall be serviced at 3 monthly intervals.

3.4 The manufacturer / supplier of the Aqua Advanced Concrete AWTS shall place on its web site a copy of the service manual, service sheet or form and specifications for the Aqua Advanced Concrete AWTS to facilitate servicing, maintenance and repairs. Commercial-in-confidence documents may be provided directly to the service agent without uploading to the web site.

3.5 Each three monthly service shall, as a minimum where provided, include a check on all mechanical, electrical and functioning parts of the system including:

- The chlorinator and replenishment of the disinfectant,
- Any alternative disinfection unit,
- Replace a UV light globe at recommended intervals and keep a record,
- Pump and air blower,
- The alarm system,
- Slime growth on the filter media,
- Operation of the sludge return system,
- The effluent irrigation area,
- On-site testing for free residual chlorine, pH and dissolved oxygen at the appropriate check points.

4. Verification

4.1 Effluent from the Aqua Advanced Concrete AWTS taken in any random grab sample shall comply with the following standard:

- BOD⁵ less than 30 mg/L
- TSS less than 45 mg/L
- E. coli less than 100 cfu/100 ml
- Free residual chlorine greater than 0.5 and less than 2.0 mg/L

5. Permitted uses

5.1 The effluent is suitable for re-use for garden purposes by way of any of the forms of irrigation as described in AS/NZS 1547:2012:

- above ground spray irrigation; and/or
- surface drip irrigation covered by mulch; and/or
- sub-surface drip irrigation installed at around 100 mm depth; and or
- any form of sub-soil application.

Each of the forms of irrigation or application is subject to the approval of the local authority.

6. Advanced Secondary Treatment System

6.1 The Aqua Advanced Concrete AWTS when tested by a Product Certification Body in accordance with AS1546.3:2017 was found to comply with the Advanced Secondary Effluent Criteria as follows:

**TABLE 2.1 (Abrev) AS1546.3:2017
ADVANCED SECONDARY EFFLUENT COMPLIANCE CRITERIA FOR A STS**

| Parameter | Advanced secondary effluent | |
|------------------|-----------------------------|--------------|
| | 90% of Samples | Maximum |
| BOD5 | ≤ 10mg/L | 20 mg/L |
| TSS | ≤ 10 mg/L | 20 mg/L |
| <i>E. coli</i> * | ≤ 10 cfu/100mL | 30 cfu/100mL |
| FAC p | Minimum 0.5 mg/L† | N/A |
| Turbidity ? | N/A | 10 NTU |

* Where disinfection is required.

p Where chlorine disinfection is used.

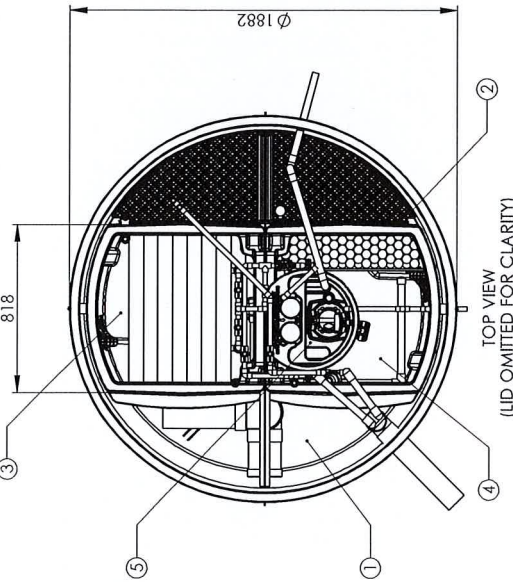
† Minimum level, not 90% of samples.

? Where UV light is used for disinfection .

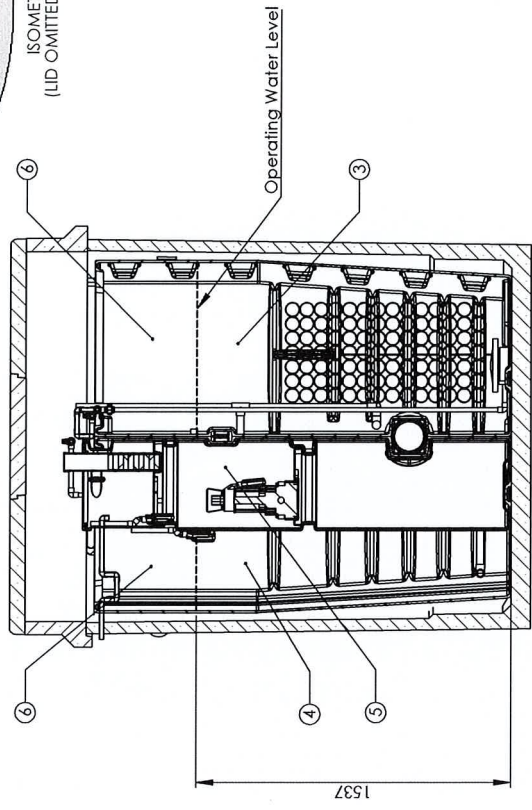
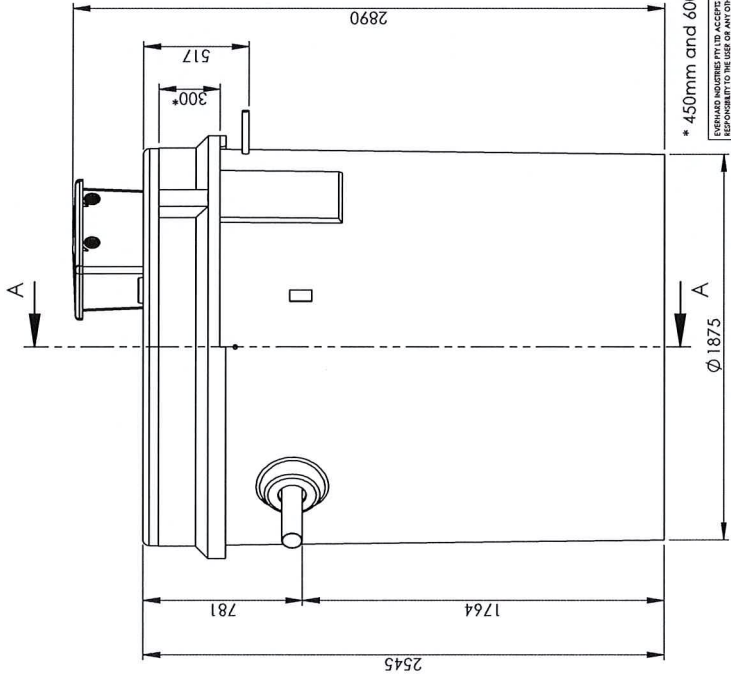
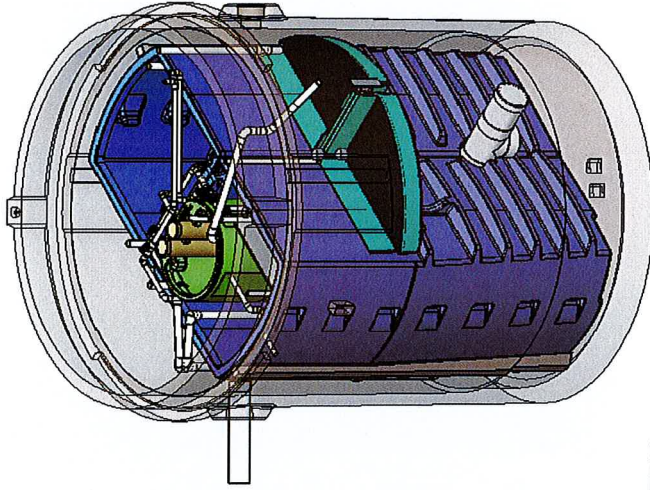
| Local Council STS (DGTS) Service Report: February 2018 | | |
|---|-----------------------------------|-------------------------------------|
| Owner's Name: | | Local Council: |
| Installation Address: | | |
| System Brand & Model: | <input type="checkbox"/> Domestic | <input type="checkbox"/> Commercial |
| Date of this service: / / | Date of last Service: / / | Next service due: / / |
| Has the STS/DGTS been serviced in accordance with the manufacturer's / supplier's requirements and using the service sheet? <input type="checkbox"/> Yes <input type="checkbox"/> No If "No" why not? | | |
| STS/DGTS functioning correctly? <input type="checkbox"/> Yes <input type="checkbox"/> No If "No" why not? | | |
| According to sludge-judge or other methodology is de-sludging needed? <input type="checkbox"/> Yes <input type="checkbox"/> No If "Yes" what action is recommended? | | |
| Offensive odours? <input type="checkbox"/> Yes <input type="checkbox"/> No If "Yes" what action is recommended? | | |
| Alarms tested and functional? <input type="checkbox"/> Yes <input type="checkbox"/> No If not "functional" what action is recommended? | | |
| Final Effluent Quality Tested? <input type="checkbox"/> Yes <input type="checkbox"/> No Disinfected? <input type="checkbox"/> Yes <input type="checkbox"/> No Chlorine tablets remaining? <input type="checkbox"/> Yes <input type="checkbox"/> No Quality? <input type="checkbox"/> Satisfactory <input type="checkbox"/> Unsatisfactory On what evidence is this judgement made? If "Unsatisfactory" what action was recommended? | | |
| Land Application Area Surface ponding? <input type="checkbox"/> Yes <input type="checkbox"/> No Run off? <input type="checkbox"/> Yes <input type="checkbox"/> No Excess plant growth? <input type="checkbox"/> Yes <input type="checkbox"/> No Effluent leaving premises? <input type="checkbox"/> Yes <input type="checkbox"/> No High risk areas contaminated? * <input type="checkbox"/> Yes <input type="checkbox"/> No * Patio, play areas, BBQ, etc Operating satisfactorily? <input type="checkbox"/> Yes <input type="checkbox"/> No If "Not operating satisfactorily" what action was recommended? | | |
| Overall Condition of STS? <input type="checkbox"/> Excellent <input type="checkbox"/> Good <input type="checkbox"/> Fair <input type="checkbox"/> Poor Comments / Action Recommended / Repairs Needed / Repairs Performed: Has the owner / occupier taken recommended actions? <input type="checkbox"/> Yes <input type="checkbox"/> No | | |
| Service Agent: | | Contact Details: |
| Signature: | | Date: |

Source: Adapted from "Checklist 4.2: Operational AWTS inspection report for use by service providers and Council inspectors" in *Designing and Installing On-Site Wastewater Systems*, Sydney Catchment Authority, May 2012

| Chamber | Volume |
|-----------------------------|--------|
| 1 Primary 1 | 915 L |
| 2 Primary 2 | 848 L |
| 3 Aeration | 942 L |
| 4 Clarification | 671 L |
| 5 Disinfection / Irrigation | 253 L |
| 6 Emergency | 1142 L |



ACCREDITED
11 DEC 2020
NSW MINISTRY OF HEALTH



* 450mm and 600mm Riser Optional

EVERHARD INDUSTRIES PTY LTD. ACCEPTS NO LIABILITY OR RESPONSIBILITY TO THE USER OF ANY OTHER VERSION OR EDITION WITH RESPECT TO ANY LIBRARY, LOSS, DAMAGE OR INJURY CAUSED OR SUFFERED BY THE USER OF ANY OTHER VERSION OR EDITION OF THIS DRAWING AND/OR USE OF THE DRAWING, THE INCLUDES, BUT IS NOT LIMITED TO, ANY INTERRUPTION OF SERVICE, LOSS OF ACTUAL OR ANTICIPATED PROFITS, LOSS OF REPUTATION, LOSS OF DATA, DAMAGE TO EQUIPMENT, OR ASSOCIATED WITH THE USE OF ANY SOFTWARE, HARDWARE, OR ANY OTHER PRODUCT OR SERVICE. THE USER HEREBY RELEASES EVERHARD INDUSTRIES PTY LTD. FROM ANY LIABILITY, DAMAGES, LOSSES, OR EXPENSES OF ANY KIND, INCLUDING REASONABLE ATTORNEY'S FEES, THAT MAY BE INCURRED BY THE USER IN CONNECTION WITH THE USE OF ANY SOFTWARE, HARDWARE, OR ANY OTHER PRODUCT OR SERVICE. THE USER'S USE OF ANY SOFTWARE, HARDWARE, OR ANY OTHER PRODUCT OR SERVICE IS AT THE USER'S SOLE RISK AND WITHOUT WARRANTY. EVERHARD INDUSTRIES PTY LTD. IS THE USER'S RESPONSIBILITY FOR OBTAINING ANY NECESSARY PERMITS, APPROVALS, OR REGULATORY REQUIREMENTS FOR THE USE OF ANY SOFTWARE, HARDWARE, OR ANY OTHER PRODUCT OR SERVICE. EVERHARD INDUSTRIES PTY LTD. IS NOT RESPONSIBLE FOR THE USER'S FAILURE TO OBTAIN ANY NECESSARY PERMITS, APPROVALS, OR REGULATORY REQUIREMENTS FOR THE USE OF ANY SOFTWARE, HARDWARE, OR ANY OTHER PRODUCT OR SERVICE.

| | |
|---|------------|
| DO NOT SCALE DRAWING | |
| UNLESS OTHERWISE SPECIFIED: DIMENSIONS ARE IN MILLIMETERS | |
| THIRD ANGLE PROJECTION | |
| TOLERANCES: XX ± 2 | |
| XXX ± 0.0 | |
| XXX ± 0.02 | |
| SURFACE FINISH: R1 | |
| SHARP EDGES | |
| X-CUT ± 0.02 | |
| NAME | MATERIAL |
| DATE | Concrete |
| SIGNATURE | 15/09/2020 |
| DRAWN | 22/09/2020 |
| CHECKED | |
| APPVED | |
| ESTIMATED WEIGHT: kg | |

| | |
|--------------|--------------------------|
| PROJECT: | Aqua Advanced |
| TITLE: | Concrete System Assembly |
| DWG NO.: | C07585 |
| REVISION: | 0 |
| SCALE: | 1:25 |
| SHEET 1 OF 1 | A3 |